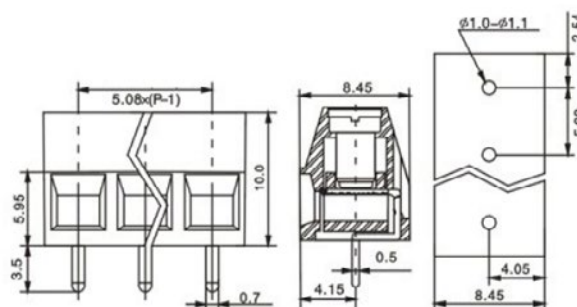


PCB Terminal Blocks

5.08 mm Pitch, Low Profile



Low profile

2 & 3 pole double interlocking mechanism for increased strength

Nickel plated brass wire clamp

Pin/terminal - tin plated brass

Screw/torque - M2.5 steel Ni plated

Guided pin alignment

Recommended PCB hole size $\phi 1.3$ mm

SPECIFICATION:

Pitch	5.08 mm
Termination type	Clamp Terminals/Screw Connection
Connection direction	horizontal
Rated current to EN	10 A
Rated current to UL	10 A
Rated voltage to EN	300 V
Rated voltage to UL	300 V
Connection cross-section	0.13-1.31mm ² (26-16 AWG)
Colour	green
Temperature range	-33...+120 °C
Width	8.45 mm
Height	10 mm
Material	PA 66, UL94-V0

PRODUCT RANGE:

Art. Nr.	Poles
RND 205-00232	2
RND 205-00233	3
RND 205-00234	4
RND 205-00235	5
RND 205-00236	6
RND 205-00237	7
RND 205-00238	8
RND 205-00239	9
RND 205-00240	10
RND 205-00241	11
RND 205-00242	12