

MPB. Heavy-duty vertical toggle clamps

Steel



MATERIAL

Weldable black-oxide steel.

ROTATING PINS AND SEEGER RINGS

Ground and hardened steel.

SUPPORT BUSHING

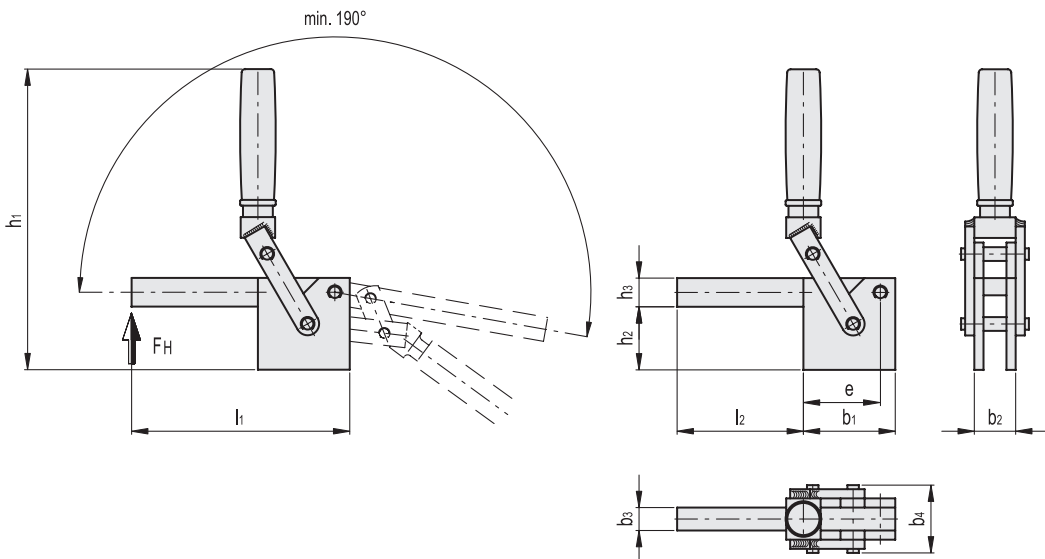
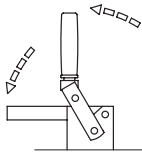
Ground and hardened steel.

HANDLE

Polyurethane, red colour.

FEATURES AND APPLICATIONS

MPB. vertical toggle clamps are usually used for applications requiring high clamping force. Easy disassembly allows to re-machine single elements according to application needs.



Code	Description	b ₁	b ₂	b ₃	b ₄	h ₁	h ₂	h ₃	l ₁	l ₂	e	FH [N]*	⚖️
GG.AA900	MPB.1000-F	80	36	20	57.5	265	55	25	190	110	67	10000	2400
GG.AA905	MPB.2000-F	100	36	20	57.5	295	65	35	220	120	82	20000	3600
GG.AA910	MPB.3000-F	110	45	25	71	320	80	40	250	140	90	30000	5700

* Holding force.



Models all rights reserved in accordance with the law. Always mention the source when reproducing our drawings and photos.

11/2019



Toggle clamps

1443

- 1
- 2
- 3
- 4
- 5
- 6
- 7
- 8
- 9
- 10
- 11
- 12
- 13
- 14
- 15
- 16
- 17
- 18