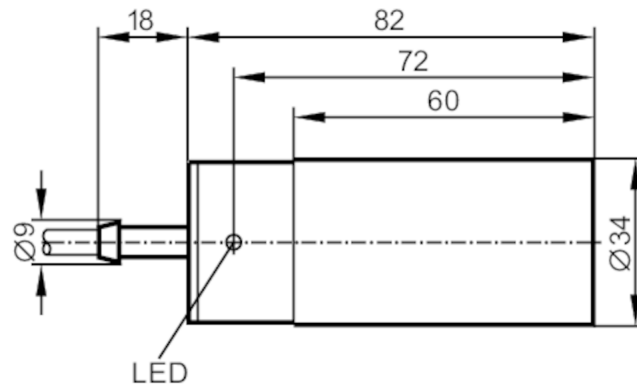




Inductive sensor

IB-2020-ABOA



Product characteristics

| | | |
|-----------------|------|---------------|
| Output function | | normally open |
| Sensing range | [mm] | 20 |
| Housing | | cylindrical |
| Dimensions | [mm] | Ø 34 / L = 82 |

Electrical data

| | | |
|-----------------------------|-----|----------------|
| Operating voltage | [V] | 20...250 AC/DC |
| Protection class | | II |
| Reverse polarity protection | | no |

Outputs

| | | |
|---|------|---|
| Output function | | normally open |
| Max. voltage drop switching output DC | [V] | 6 |
| Max. voltage drop switching output AC | [V] | 6.5 |
| Minimum load current | [mA] | 5 |
| Max. leakage current | [mA] | 2.5 (250 V AC) / 1.3 (110 V AC) / 0.8 (24 V DC) |
| Permanent current rating of switching output AC | [mA] | 250; (350 (...50 °C)) |
| Permanent current rating of switching output DC | [mA] | 100 |
| Short-time current rating of switching output | [mA] | 2200; (20 ms / 0,5 Hz) |
| Switching frequency AC | [Hz] | 25 |
| Switching frequency DC | [Hz] | 50 |
| Short-circuit proof | | no |
| Overload protection | | no |

Detection zone

| | | |
|-----------------------|------|-----------|
| Sensing range | [mm] | 20 |
| Real sensing range Sr | [mm] | 20 ± 10 % |
| Operating distance | [mm] | 0...16.2 |

IB0004



Inductive sensor

IB-2020-ABOA

| Accuracy / deviations | | |
|-------------------------------|---|-----------------|
| Correction factor | steel: 1 / stainless steel: 0.7 / brass: 0.4 / aluminium: 0.4 / copper: 0.3 | |
| Hysteresis [% of Sr] | 1...15 | |
| Switch point drift [% of Sr] | -10...10 | |
| Operating conditions | | |
| Ambient temperature [°C] | -25...80 | |
| Protection | IP 67 | |
| Tests / approvals | | |
| EMC | EN 60947-5-2 | |
| | EN 55011 | class B |
| MTTF [years] | 610 | |
| Mechanical data | | |
| Weight [g] | 257 | |
| Housing | cylindrical | |
| Mounting | non-flush mountable | |
| Dimensions [mm] | Ø 34 / L = 82 | |
| Materials | PBT | |
| Displays / operating elements | | |
| Display | switching status | 1 x LED, yellow |
| Electrical connection | | |
| Required protection | miniature fuse to IEC60127-2 sheet 1; ≤ 2 A; fast acting | |
| Accessories | | |
| Accessories (supplied) | Mounting clamps: 1 | |
| Remarks | | |
| Remarks | Recommendation: Check the safe functioning of the unit after a short circuit. | |
| Pack quantity | 1 pcs. | |

IB0004



Inductive sensor

IB-2020-ABOA

Electrical connection

Cable: 2 m, PVC; 2 x 0.5 mm²

Connection



Note miniature fuse to IEC60127-2 sheet 1 \leq 2 A fast acting

Core colours :

BN = brown

BU = blue