

MOELLER CONTACTOR SUPPRESSOR

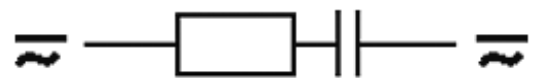
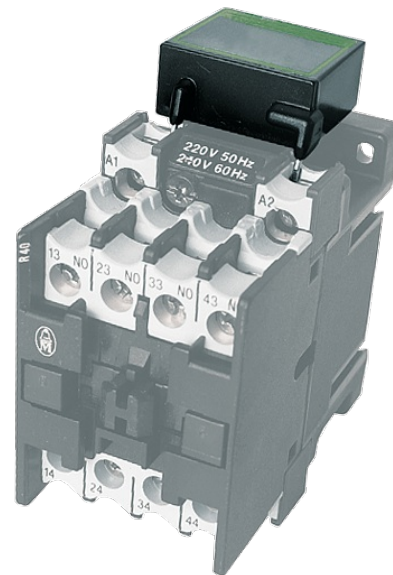
RC, 110/230VAC

110 V AC/DC

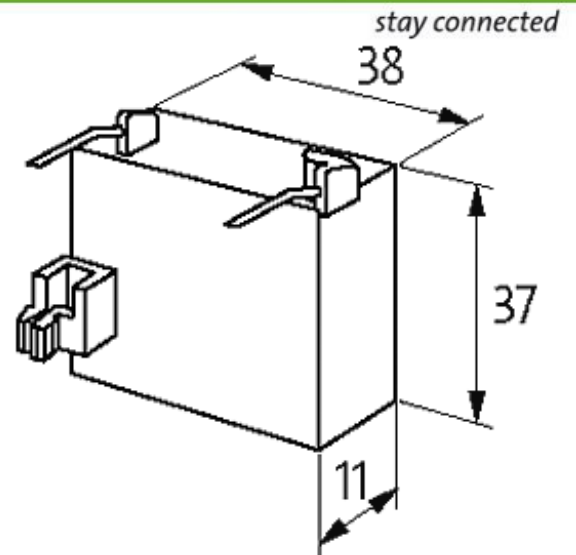
230 V AC/DC

RC

For other configurations and voltages, please inquire

[Link to Product](#)**Illustration**

RC



Product may differ from Image

Approvals



Appropriate contactors

DIL 0-2...M, DIL R...

Technical Data

Damping factor	approx. 1.5 × UN
Material	Flame retardant plastic acc. to (UL 94)
Connection wires	Plug contact

General data

Dimensions H × W × D	37×38×11 mm
----------------------	-------------

Commercial data

country of origin	CZ
customs tariff number	85363010
minimum order quantity	1