

**M23 FEMALE 19 POLE 90°**

PUR 8x0,5+3x1,0 GRAY, drag ch 5m

M23

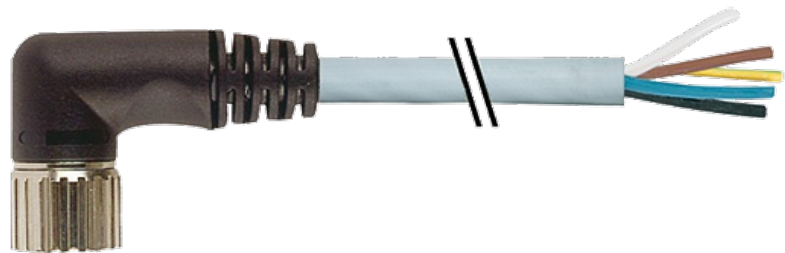
Female 90°

19-pole

11-pole used

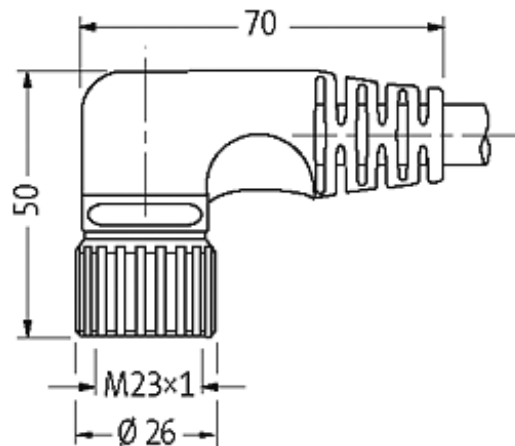
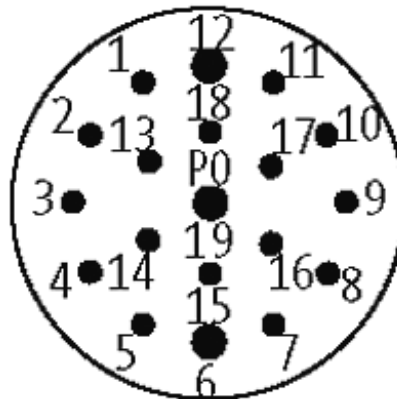
for 4-way distribution boxes, 5-pole

Further cable lengths on request. Plastic housings with good resistance against chemicals and oils. The resistance to aggressive media should be individually tested for your application. Further details on request.

**[Link to Product](#)****Illustration**

15	white
7	gray/pink
5	green
4	red/blue
	yellow
16	white/green
8	gray
3	brown/green
14	brown 1.0 mm <sup>2</sup>
19	blue 1.0 mm <sup>2</sup>
6	green/yellow 1.0 mm <sup>2</sup>
12	

## Female



Product may differ from Image

### Cables

Cable number	448
No./diameter of wires	8×0.5 + 3×1.0 mm <sup>2</sup>
Wire isolation	TPE (grpk, wh, rdbl, gn, whgn, ye, brgn, gr, br, bl, gnye)
C-track properties	5 Mio.
Jacket Color	gray
Shore hardness outer jacket	94 ± 5A
Material (jacket)	PUR (UL/CSA)
Outer diameter	approx. 9.1 mm
Bend radius (fixed)	5 × outer Ø
Bend radius (moving)	10 × outer Ø
Temperature range (fixed)	-40...+80 °C
Temperature range (mobile)	-5...+80 °C

### General data

Temperature range -25...+85 °C, depending on cable quality

### Commercial data

country of origin DE

---

customs tariff number	85444290
minimum order quantity	1

---