



ALPHA 160 DIN, WALL-MOUNTED DB, FM UNEQ.
DISTR. BOARD RAL 9016 IP31 SK2, H=1100 W=300
D=140

Protection class

| | | |
|---------------------|--|------|
| Protection class IP | | IP31 |
|---------------------|--|------|

Mechanical Design

| | | |
|-----------------------------|----|---------------------|
| Height | mm | 1 100 |
| Width | mm | 300 |
| Depth | mm | 140 |
| Installation depth | mm | 140 |
| Material / of the enclosure | | sheet steel/plastic |

| | | |
|--------------------------|---------------------------|-------------------|
| General Product Approval | Declaration of Conformity | Test Certificates |
|--------------------------|---------------------------|-------------------|



[other](#)



[Special Test Certificate](#)

[Type Test Certificates/Test Report](#)

Test Certificates

[other](#)

Further information

Information- and Downloadcenter (Catalogs, Brochures,...)
<http://www.siemens.com/lowvoltage/catalogs>

Industry Mall (Online ordering system)

<https://eb.automation.siemens.com/mall/en/WW/Catalog/Product/8GK10315KK11>

Service&Support (Manuals, Certificates, Characteristics, FAQs,...)

<http://support.automation.siemens.com/WW/view/en/8GK10315KK11/all>

Image database (product images, 2D dimension drawings, 3D models, device circuit diagrams, ...)

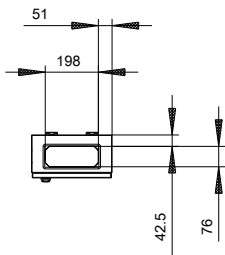
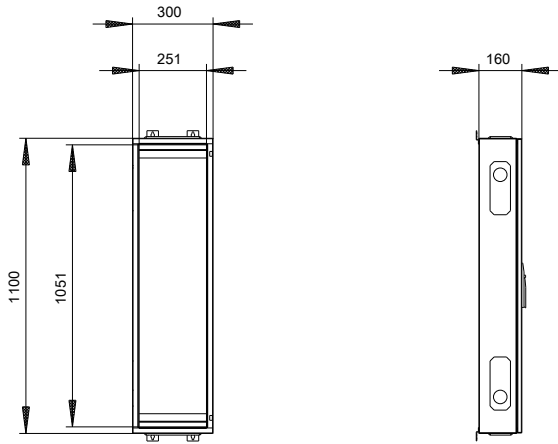
http://www.automation.siemens.com/bilddb/cax_en.aspx?mfb=8GK10315KK11

CAX-Online-Generator

<http://www.siemens.com/cax>

Tender specifications

<http://ausschreibungstexte.siemens.com/tiplv>



last modified:

11.03.2015