

# Emergency Stop Switch

Complete Set

## SEM20N0102

Part Number



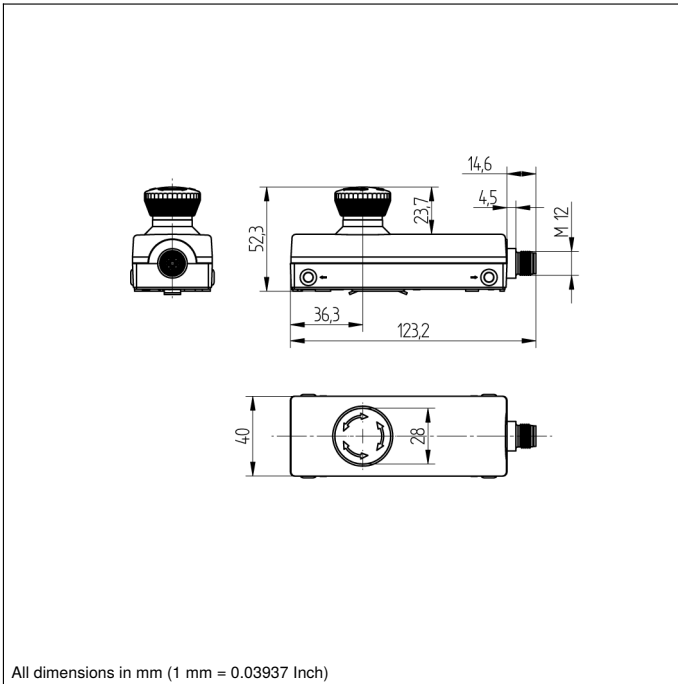
- M12 connection
- Simple installation on profiles and walls
- Slender housing
- Unlocking by turning left or right

### Technical Data

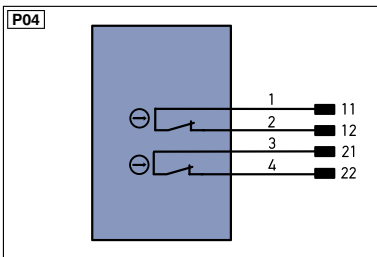
Electrical Data	
Temperature Range	-25...70 °C
Storage temperature	-25...85 °C
Service Life (nominal load)	50000 Switching Cycles
Protection Class	II
Mechanical Data	
Housing Material	Plastic
Service Life	50000 Activations
Bounce time	< 10 ms
Degree of Protection	IP65
Installation Type	Setting up
Unlocking	turning
Connection	M12 × 1; 4-pin
Safety-relevant Data	
B10d Switching Cycles	250 000
Number of positively driven contacts	2
Function	
Switching position indicator	yes
Connection Diagram No.	<b>P04</b>
Suitable Connection Equipment No.	<b>2</b>

### Complementary Products

Safety Relay SR4B3B01S, SR4D3B01S  
Software



All dimensions in mm (1 mm = 0.03937 Inch)



#### Legend

<b>+</b> Supply Voltage +	<b>PT</b> Platinum measuring resistor	<b>EN<sup>A</sup>RS422</b> Encoder A/Ā (TTL)
<b>-</b> Supply Voltage 0 V	<b>nc</b> not connected	<b>EN<sup>B</sup>RS422</b> Encoder B/B̄ (TTL)
<b>~</b> Supply Voltage (AC Voltage)	<b>U</b> Test Input	<b>EN<sup>A</sup></b> Encoder A
<b>A</b> Switching Output (NO)	<b>Ū</b> Test Input inverted	<b>EN<sup>B</sup></b> Encoder B
<b>Ā</b> Switching Output (NC)	<b>W</b> Trigger Input	<b>A<sub>MIN</sub></b> Digital output MIN
<b>V</b> Contamination/Error Output (NO)	<b>W-</b> Ground for the Trigger Input	<b>A<sub>MAX</sub></b> Digital output MAX
<b>Ṽ</b> Contamination/Error Output (NC)	<b>O</b> Analog Output	<b>A<sub>OK</sub></b> Digital output OK
<b>E</b> Input (analog or digital)	<b>O-</b> Ground for the Analog Output	<b>SY<sub>in</sub></b> Synchronization In
<b>T</b> Teach Input	<b>BZ</b> Block Discharge	<b>SY<sub>OUT</sub></b> Synchronization OUT
<b>Z</b> Time Delay (activation)	<b>A<sub>WV</sub></b> Valve Output	<b>OL<sub>T</sub></b> Brightness output
<b>S</b> Shielding	<b>a</b> Valve Control Output +	<b>M</b> Maintenance
<b>RxD</b> Interface Receive Path	<b>b</b> Valve Control Output 0 V	<b>rsv</b> reserved
<b>TxD</b> Interface Send Path	<b>SY</b> Synchronization	Wire Colors according to DIN IEC 757
<b>RDY</b> Ready	<b>SY-</b> Ground for the Synchronization	<b>BK</b> Black
<b>GND</b> Ground	<b>E+</b> Receiver-Line	<b>BN</b> Brown
<b>CL</b> Clock	<b>S+</b> Emitter-Line	<b>RD</b> Red
<b>E/A</b> Output/Input programmable	<b>⊕</b> Grounding	<b>OG</b> Orange
 <b>IO-Link</b>	<b>S<sub>nR</sub></b> Switching Distance Reduction	<b>YE</b> Yellow
<b>PoE</b> Power over Ethernet	<b>Rx+/-</b> Ethernet Receive Path	<b>GN</b> Green
<b>IN</b> Safety Input	<b>Tx+/-</b> Ethernet Send Path	<b>BU</b> Blue
<b>OSSD</b> Safety Output	<b>Bus</b> Interfaces-Bus A(+)/B(-)	<b>VT</b> Violet
<b>Signal</b> Signal Output	<b>L<sub>a</sub></b> Emitted Light disengageable	<b>GY</b> Grey
<b>Bl_D+/-</b> Ethernet Gigabit bidirect. data line (A-D)	<b>Mag</b> Magnet activation	<b>WH</b> White
<b>EN<sup>0</sup>RS422</b> Encoder 0-pulse 0-0̄ (TTL)	<b>RES</b> Input confirmation	<b>PK</b> Pink
	<b>EDM</b> Contactor Monitoring	<b>GNYE</b> Green/Yellow

