

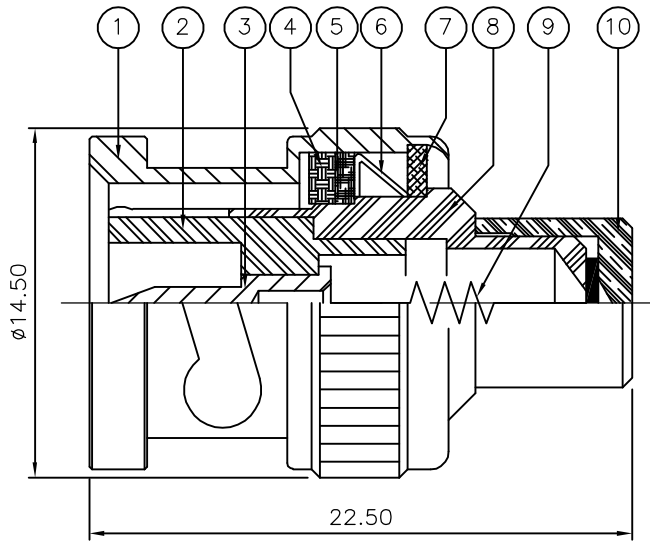
THIS DRAWING IS UNPUBLISHED. RELEASED FOR PUBLICATION DEC ,2005.

© COPYRIGHT 2005 BY TYCO ELECTRONICS CORPORATION. ALL RIGHTS RESERVED.

LOC	DIST	REVISIONS					
E	B	P	LTR	DESCRIPTION	DATE	DWN	APVD
		C		ECR-05-017969	14DEC05	JMS	FWK

NOTES:

- 1 PACK IN ACCORDANCE WITH AMP SPEC 107-3275
- 2 100 TRAY PACK IN ACCORDANCE WITH AMP SPEC 107-3275
- 3 Ag PLATING
- 4 THIS ITEM MUST BE WHITE
- 5 ELECTRICAL CHARACTERISTICS
 FREQUENCY RANGE: DC - 1 GHz
 NOMINAL IMPEDANCE: 50 Ohm
 INSULATION RESISTANCE: 5000 MOhm
 WORKING VOLTAGE: 500 Volts RMS at Sea Level
 DIELECTRIC WITHSTAND VOLTAGE: 1500 Volts RMS Max
 CONTACT RESISTANCE:
 CENTRE CONTACT: 1.50 mOhm Max
 OUTER CONTACT: 0.20 mOhm Max
- 6 MECHANICAL CHARATERISTICS
 COUPLING RETENTION FORCE: 445N
 CABLE RETENETION FORCE: N/A
 DURABILITY: 500 Cycles Min
- 7 ENVIRONMENTAL CHARACTERISTICS
 OPERATING TEMPERATURE: -65 to +165 DegC



QTY	PLC	LTR	MATERIAL	DESCRIPTION	ITEM
1	1		BRASS	CAP	10
1	1		1/2W-50 OHM	RESISTOR	9
1	1		BRASS	BODY	8
1	1		BRASS	WASHER	7
1	1		SPRING STEEL	SPRING	6
1	1		BRASS	RETAINING RING	5
1	1		SILICON RUBBER	GASKET	4
1	1		BRASS	CONTACT	3
1	1		PTFE	INSULATION	2
1	1		BRASS	SHELL	1
6--0	1--0		MATERIAL	DESCRIPTION	ITEM

THIS DRAWING IS A CONTROLLED DOCUMENT.		DWN J.SANDWELL 14DEC05	Tyco Electronics Corporation Bideford EX39 4HE	
DIMENSIONS: mm		CHK S.PARLOW 14DEC05		
		APVD F.WHEELER-KING 14DEC05	NAME BNC PLUG TERMINATION 50 OHM	
TOLERANCES UNLESS OTHERWISE SPECIFIED:		PRODUCT SPEC	SIZE	
0 PLC ± -		APPLICATION SPEC	CAGE CODE	
1 PLC ± -		WEIGHT	DRAWING NO	
2 PLC ± -		CUSTOMER DRAWING	RESTRICTED TO	
3 PLC ± -			A3 00779 C-1337463	
4 PLC ± -			SCALE NTS	
ANGLES ± -			SHEET 1 OF 1	
FINISH -			REV C	