

## Index Plungers · with hexagon collar, stainless steel A4

22120.1066



### Product Description

Index plungers are used for indexing bores.  
The stainless steel A4 version ensures maximum corrosion resistance.

### Material

#### Body

- Stainless steel 1.4401

#### Locking pin

- Stainless steel 1.4401 nickel-plated

#### Knob

- Thermoplastic PA 6, black-grey, matt

#### Lock nut

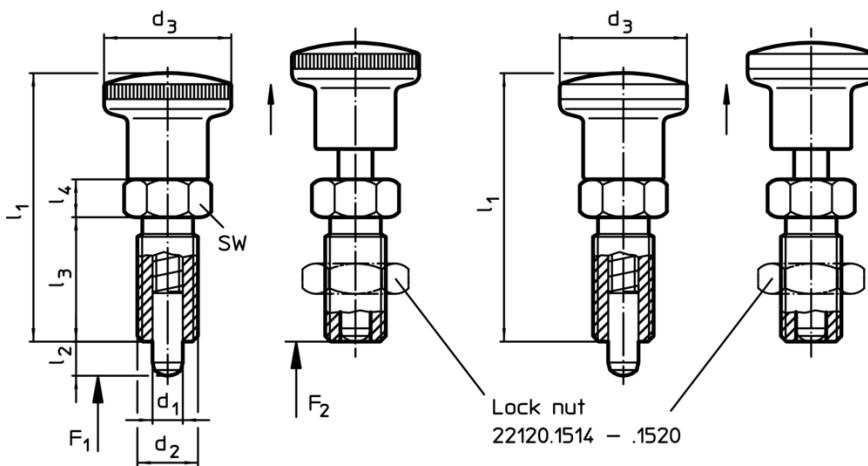
- Stainless steel 1.4401

### More information

#### Notes

Knob not removable.  
Lock nuts have to be purchased separately.

### Drawing



picture 1



picture 2

### Order information

Dimensions							Spring load <sup>1)</sup>		Temperature		Weight	Art. No.
d <sub>1</sub>	d <sub>2</sub>	l <sub>2</sub> min.	d <sub>3</sub>	l <sub>1</sub>	l <sub>3</sub>	l <sub>4</sub>	F <sub>1</sub> ~	F <sub>2</sub> ~	min.	max.	[g]	
-0.02 -0.05												
[mm]												
[N]												
[°C]												
with knob of thermoplastic – picture 1												
6	M12 x 1,5	9	23	48	22	6	4	20	-30	80	30	22120.1066

<sup>1)</sup> statistical average value

Accessories

	Dimensions d <sub>2</sub> [mm]	Wrench size [mm]	 [g]	Art. No.
<b>Lock nuts ISO 8675 (DIN 439), Stainless steel 1.4401</b>				
	M12 x 1,5	18	7.6	22120.1516

Compliance

**RoHS compliant**

Contains lead - compliant according to exceptions 6a / 6b / 6c

**Contains SVHC substances >0,1% w/w**

Contains lead - SVHC list [REACH] as of 10.06.2022

**Contains Proposition 65 substances**



Lead can cause cancer and reproductive harm from exposure  
<https://www.P65Warnings.ca.gov/>

**Free from Conflict Minerals**