

	Product Change Notification for the Phoenix Contact Sales Net	FS A-7-0051 R-Index -01-

Business Unit 1) 2)	Product line 1) 2)	Product key 1) 2)	Change no. 1) 2)	Author's code (User-ID) 1) 2)	Date of establishment 1) 2)
BU MI	BG4	BG4111	ABG170021	Pbfj10	06.07.2018

Dear Sir or Madam,

The below listed articles will be supplied in a modified version. Please pass this product information on to your employees and, if need be, to your customers.

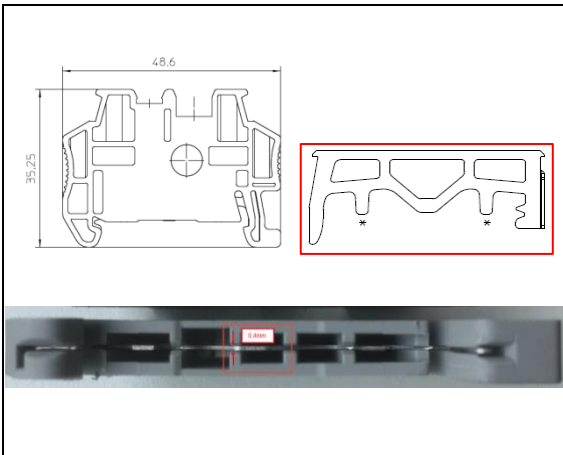
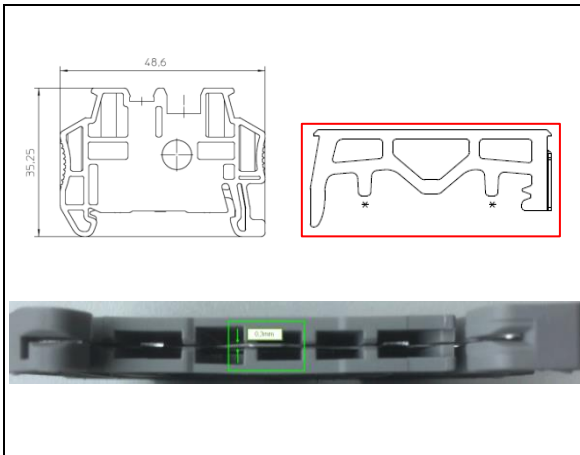
All modifications are performed for reasons of engineering progress and continue to fulfil or exceed all specifications.

Art.-No.	Description 1)	Batch or version batch as of
3022276	CLIPFIX 35-5	02
3032350	CLIPFIX 35-5 V0	03

See enclosed article list:

Brief description of the modification 1) 2)
Change of the metal part in the snap-on foot to improve mounting and removal

Detailed description of the modification
<p>Modification includes the following changes: Reduction of the thickness of the metal part from 0,4 down to 0,3 mm. Due to this change the end bracket can be mounted and removed more comfortable. A proper fixation on the DIN-rail is still given. 3022276 CLIPFIX 35-5 will be changed earlier (July 2018) due to material unavailability.</p>
<input type="checkbox"/> Further enclosures:

Current production state 3)	New production state 3)
	

Stock/delivery status 1)	
Existing inventory can still be used: <input checked="" type="checkbox"/> yes <input type="checkbox"/> no	
Mixing of inventory approved <input type="checkbox"/> yes <input checked="" type="checkbox"/> no	
Presumable first despatch of the changed product(s) (Qu., Week or date):	Q1 / 2019

Passing this document or contents-related information on to customers of Phoenix Contact is incumbent on the Phoenix Contact sales organisations.

1.) Obligatory entry 2) Data base relevant

3) compress pictures if need be, pre-setting is 200 DPI