

PLEASE CHECK WWW.MOLEX.COM FOR LATEST PART INFORMATION

Part Number: [42819-2212](#)
Status: **Active**
Overview: Mini-Fit Sr.™
Description: 10.00mm Pitch Mini-Fit Sr.™ Header, Single Row, Vertical, 2 Circuits, 1.57mm PCB Thickness, Tin (Sn) Plating

Documents:

[3D Model](#) [Test Summary TS-42815-001 \(PDF\)](#)
[Drawing \(PDF\)](#) [RoHS Certificate of Compliance \(PDF\)](#)
[Product Specification PS-42815-001 \(PDF\)](#)

Agency Certification

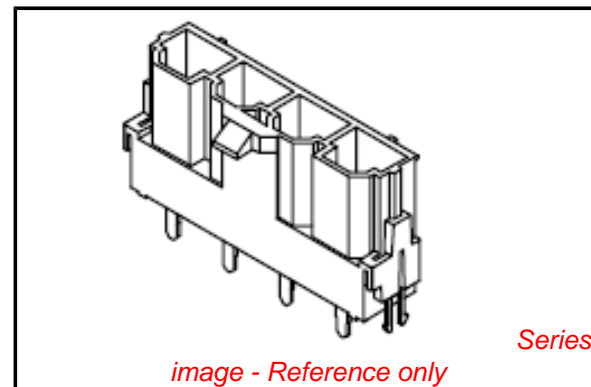
| | |
|-----|-----------|
| CSA | LR19980 |
| TUV | R72081037 |
| UL | E29179 |

General

| | |
|----------------|-------------------------------|
| Product Family | PCB Headers |
| Series | 42819 |
| Application | Power, Wire-to-Board |
| Overview | Mini-Fit Sr.™ |
| Product Name | Mini-Fit Sr.™ |

Physical

| | |
|--------------------------------|--------------------------------|
| Breakaway | No |
| Circuits (Loaded) | 2 |
| Circuits (maximum) | 2 |
| Color - Resin | Black |
| Durability (mating cycles max) | 30 |
| First Mate / Last Break | No |
| Flammability | 94V-0 |
| Glow-Wire Compliant | No |
| Guide to Mating Part | No |
| Keying to Mating Part | None |
| Lock to Mating Part | Yes |
| Material - Metal | Brass |
| Material - Plating Mating | Tin |
| Material - Plating Termination | Tin |
| Material - Resin | High Temperature Thermoplastic |
| Number of Rows | 1 |
| Orientation | Vertical |
| PC Tail Length | 3.50mm |
| PCB Locator | Yes |
| PCB Retention | Yes |
| PCB Thickness - Recommended | 1.60mm |
| Packaging Type | Tray |
| Pitch - Mating Interface | 10.00mm |
| Pitch - Termination Interface | 10.00mm |
| Plating min - Mating | 2.540µm |
| Plating min - Termination | 2.540µm |
| Polarized to Mating Part | Yes |
| Polarized to PCB | Yes |
| Shrouded | Fully |
| Stackable | No |
| Surface Mount Compatible (SMC) | No |
| Temperature Range - Operating | -40°C to +105°C |



EU RoHS

ELV and RoHS Compliant
REACH SVHC Contains SVHC: No
Low-Halogen Status Not Low-Halogen

China RoHS



Need more information on product environmental compliance?

Email productcompliance@molex.com
 For a multiple part number RoHS Certificate of Compliance, [click here](#)

Please visit the [Contact Us](#) section for any non-product compliance questions.

Search Parts in this Series

[42819Series](#)

Mates With

Mini-Fit Sr.™ Receptacle Housing with TPA
[42816](#)

Termination Interface: Style

Through Hole

Electrical

Current - Maximum per Contact

50A

Voltage - Maximum

600V

Solder Process Data

Duration at Max. Process Temperature (seconds)

3

Lead-free Process Capability

Wave Capable (TH only)

Max. Cycles at Max. Process Temperature

1

Process Temperature max. C

265

Material Info

Reference - Drawing Numbers

Product Specification

PS-42815-001, RPS-42815-001, RPS-42815-010,
RPS-42815-011, RPS-42815-012, RPS-42815-013,
RPS-42815-014, RPS-42815-015

Sales Drawing

SDA-42819-0002

Test Summary

TS-42815-001

This document was generated on 03/30/2012

PLEASE CHECK WWW.MOLEX.COM FOR LATEST PART INFORMATION