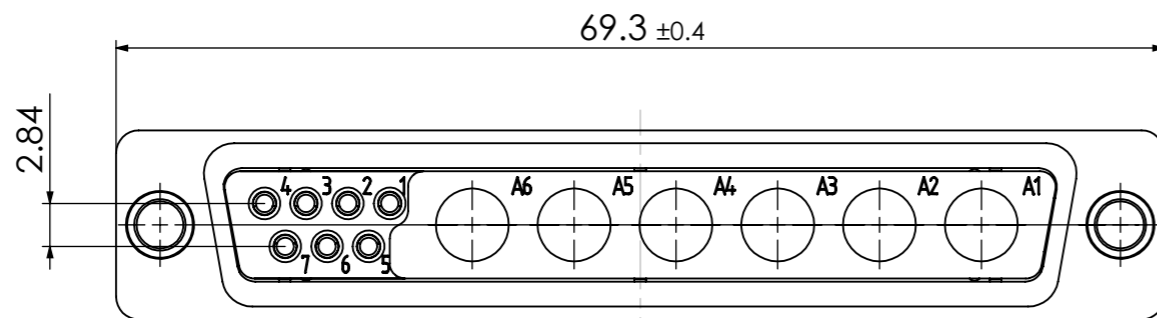
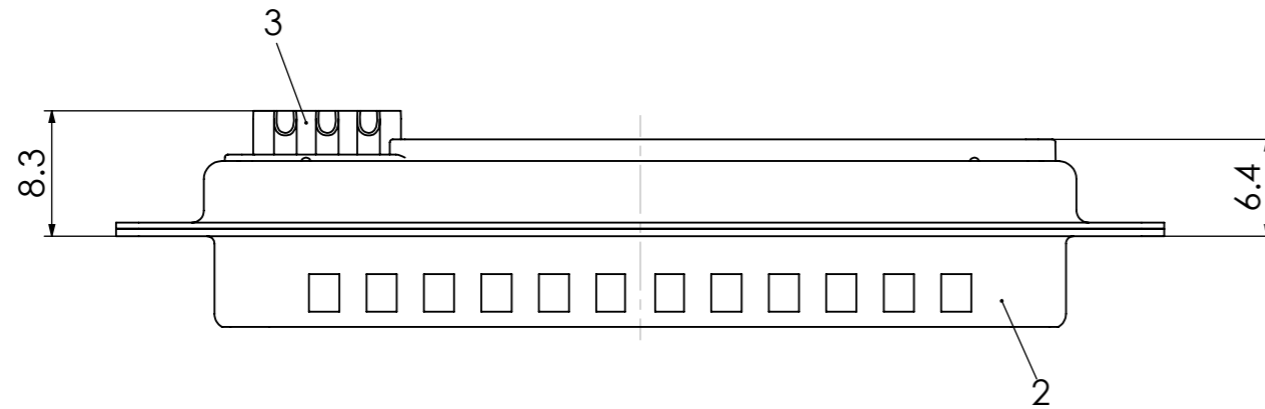
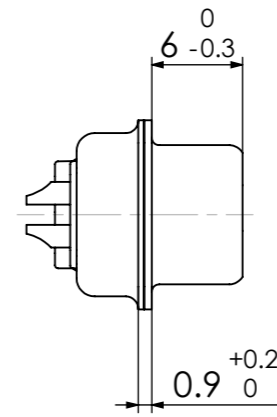
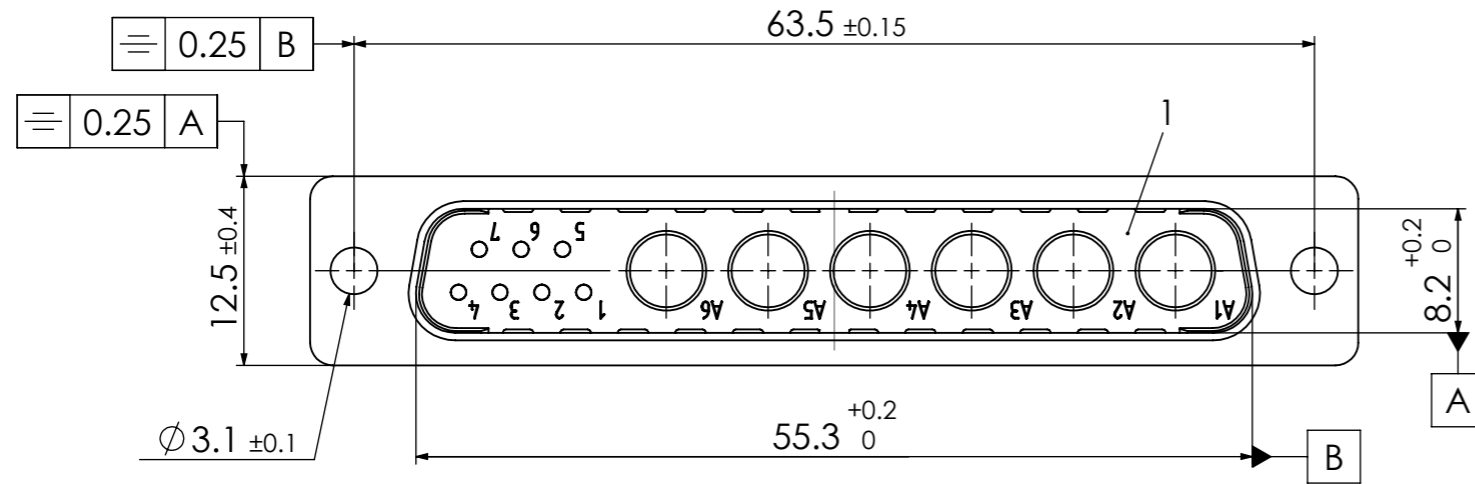


COMMENT:
 ALL RIGHTS ARE RESERVED BY US FOR THIS DRAWING. WITHOUT OUR PRIOR CONSENT,
 IT MAY NEITHER BE DUPLICATED NOR MADE AVAILABLE TO A THIRD PARTY.
 AND IT ALSO MAY NOT BE IMPROPERLY USED BY THE RECEIVER, OR A THIRD PARTY.



RoHS compliant

No.	St.	Part	Type	Description/Material	Surface plating/Colour/Class
3	7	Signal contact	P0 / Brass	AuroPur / AWG 20	
2	1	Shell	Steel	tin plated	
1	1	Insulator	PBT (-55°C - +130°C)	green	

REV.	DATE	CH.-NO.	ORIGINAL: DIN A3-DRAWING AS A FILE	REPLACEMENT FOR:	PAGES
1					1

Measurement without tolerance occ. to ISO 2768-m NAME / DATE DRAWN sschref 09-04-2014 CHECKED sschref 09-04-2014 	SCALE 2:1 TITLE D-Sub Mixed-Layout Connector DWG.NO. FM13W6PA-K120 REV. 1
---	--