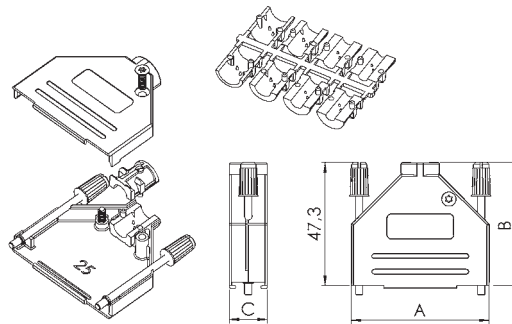
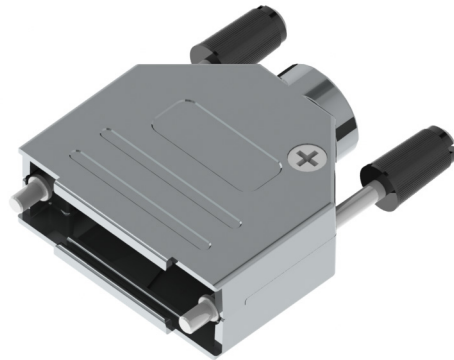


# Shielded D-Sub Backshells DTZK Series

## TECHNICAL SPECIFICATIONS

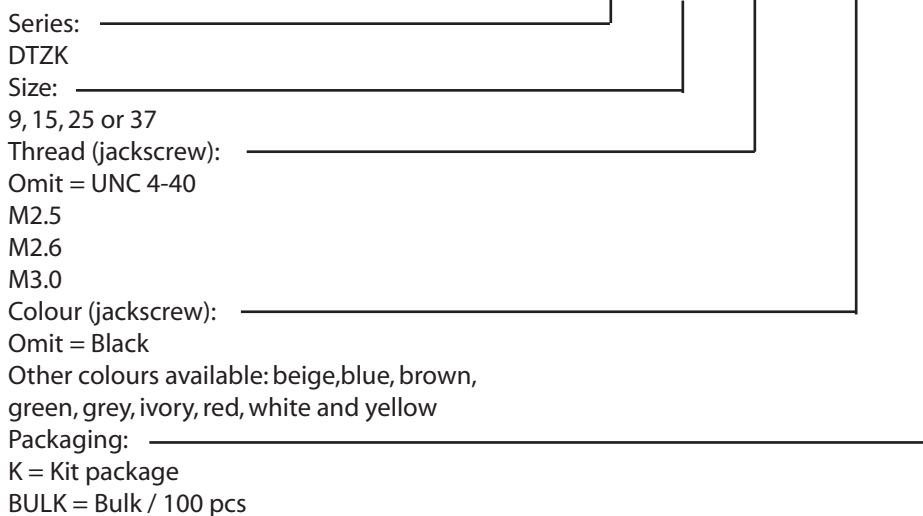
Material:	Zinc, Ni-plated
Temp. range:	-40°C - 120°C
Cable strain relief:	Polycarbonate, PC UL94 V-0
Cable diameter:	3.0 - 13.0 mm
Locking screws:	Long jackscrews with moulded top for colour coding
Assembly screws:	Taptite threadforming
Cable outlet:	Straight
Attenuation factor:	> 40 dB between 30 MHz and 1 GHz



TYPE	A	B	C
DTZK9	31	38,3	14,6
DTZK15	39,5	40,5	14,6
DTZK25	53,2	47,3	14,6
DTZK37	70,9	52,2	15

## PART NUMBERING SYSTEM

DTZK25 - - RED - K



## FEATURES

- Available in sizes 9, 15, 25 and 37
- Minimise interference from electromagnetic and RF sources
- Non-static parts avoid ESD problems
- Accept round foil and braided cable types
- No special assembly tools required
- Printed logotype available upon request
- Long jackscrews with UNC 4-40 thread as standard, M2.5, M2.6 or M3.0 as option
- For custom designed solutions, please consult factory