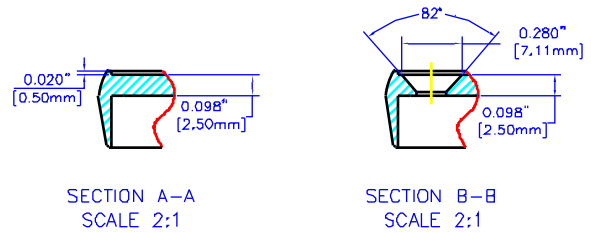
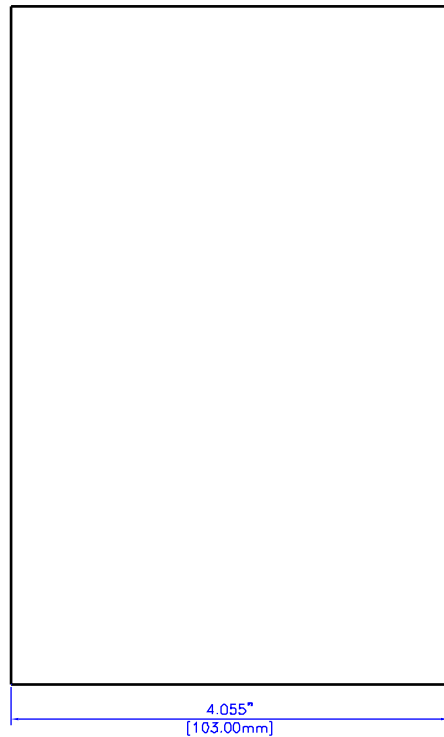


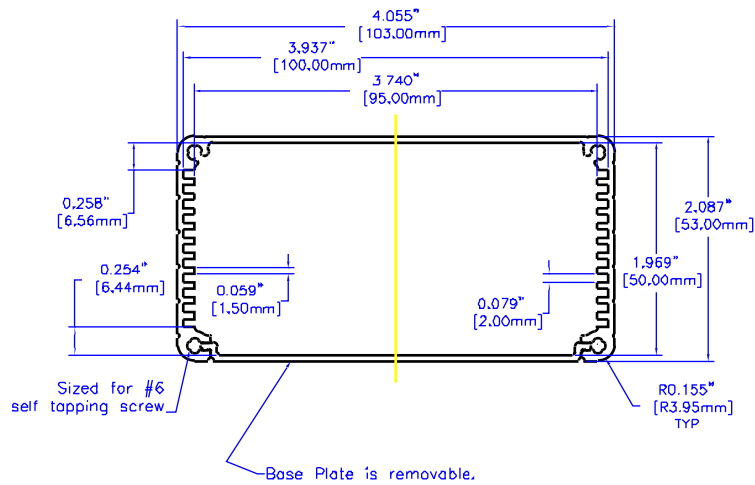
NOTES

Constructed from extruded Al with a minimum thickness of 0.06"(1.5mm)
 Available in clear or Black anodized finish
 Version 2 includes two Black plastic one piece bezel/panels,
 Hardware and self-adhesive rubber feet included.

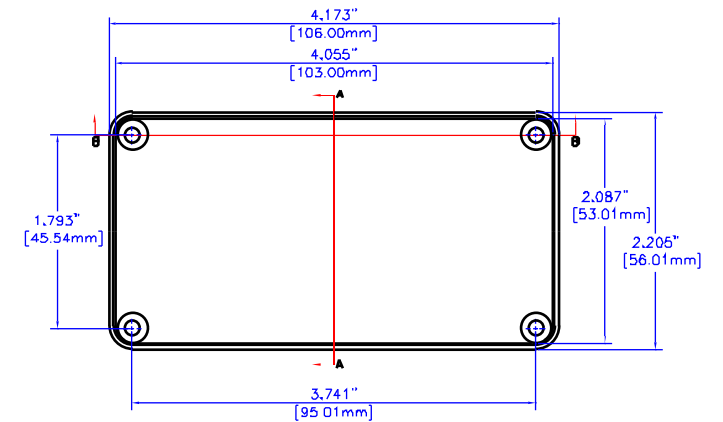
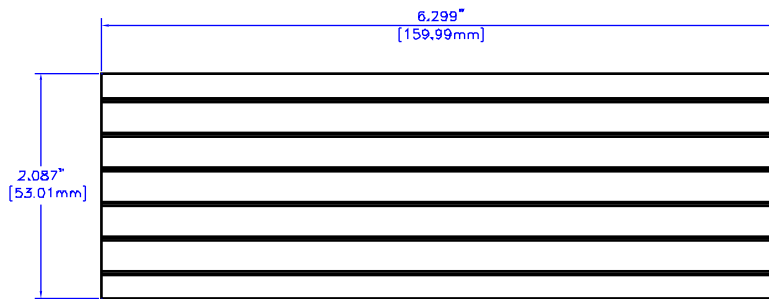


SECTION A-A
SCALE 2:1

SECTION B-B
SCALE 2:1



EXTRUSION



PANEL

For the best fit print on legal size paper.

THIS DRAWING IS PROPRIETARY INFORMATION OF HAMMOND MFG.CO.LTD. NOT TO BE USED WITHOUT EXPRESSED WRITTEN PERMISSION OF HAMMOND MFG.CO.LTD.

| Rev | ECN | Description | Date | By |
|-----|-----|-------------|----------|-----|
| △ | N/A | RELEASE | 01 15 02 | MJM |

Unless otherwise specified dimensions are in inches
 Tolerances are:
 .X ± .1
 .XX ± .02
 .XXX ± .010
 .XXXX ± .0050
 Holes ± .0050
 Angles ± .5°

| | |
|-------|-------------------|
| Dwn | M. MERCER |
| Date | 01 15 02 |
| Chk | --- |
| Mat'l | Extruded Aluminum |
| Sheet | 1 of 2 |

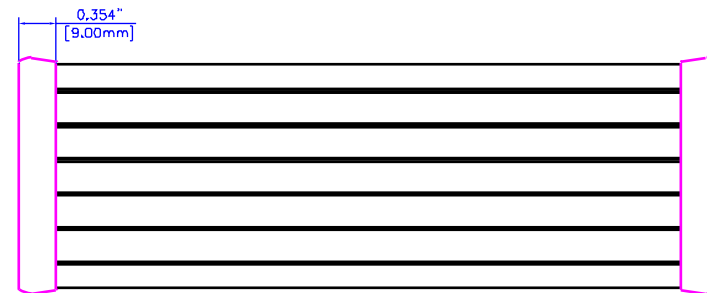
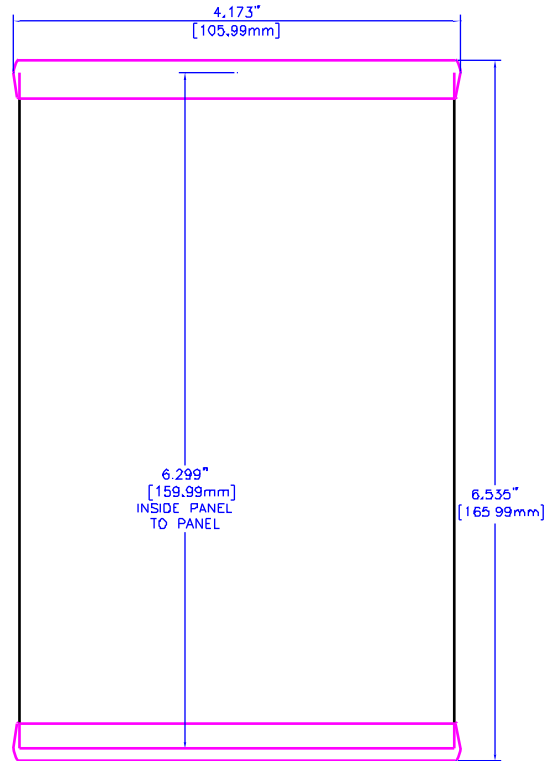
HAMMOND MANUFACTURING CO. LTD.
 Electronics Group, Waterloo, Ont. - Cheekwago, NY

HAMMOND 1455 SERIES
 EXTRUDED ALUMINUM

Part#: 1455N1602 Dwg: 1455N1602A

NOTES

Constructed from extruded Al with a minimum thickness of 0.06"(1,5mm)
 Available in clear or Black anodized finish
 Version 2 includes two Black plastic one piece bezel/panels.
 Hardware and self-adhesive rubber feet included.



ASSEMBLED

For the best fit print on legal size paper.

THIS DRAWING IS PROPRIETARY INFORMATION OF HAMMOND MFG.CO.LTD. NOT TO BE USED WITHOUT EXPRESSED WRITTEN PERMISSION OF HAMMOND MFG.CO.LTD.

| △ | N/A | RELEASE | ---- | 01 15 02 | MJM |
|-----|-----|-------------|------|----------|-----|
| Rev | ECN | Description | | Date | By |

Unless otherwise spec'd dimensions are in inches
 Tolerances are:
 .X ± .1
 .XX ± .02
 .XXX ± .010
 .XXXX ± .0050
 Holes ± .005
 Angles ± .5°



| | |
|-------|-------------------|
| Dwn | M, MERCER |
| Date | 01 15 02 |
| Chk | --- |
| Matl | Extruded Aluminum |
| Sheet | 2 of 2 |

HAMMOND MANUFACTURING CO, LTD.
 Electronics Group, Waterloo, Ont. - Cheektowaga, NY

HAMMOND 1455 SERIES
EXTRUDED ALUMINUM

Part#: 1455N1602 Dwg: 1455N1602A