

TECHNICAL CHARACTERISTICS

MATERIAL

INSULATOR: PA 6T  
 FLAMMABILITY RATING: UL94-V0  
 COLOR: BLACK  
 CONTACT MATERIAL: COPPER ALLOY  
 CONTACT TYPE: STAMPED  
 CONTACT PLATING: GOLD  
 QUALITY CLASS: 3 AS PER CECC 75 301-802  
 PITCH: 1.27 MM

ENVIRONMENTAL

OPERATING TEMPERATURE: -25 UP TO 105°C  
 COMPLIANCE: LEAD FREE AND ROHS

ELECTRICAL

CURRENT RATING: 1A MAX  
 WORKING VOLTAGE: 50 VAC  
 INSULATOR RESISTANCE: >1000 MOHM  
 DIELECTRIC WITHSTANDING VOLTAGE: 500 VAC/MN  
 CONTACT RESISTANCE: 20 mOHM MAX

STANDARD

CERTIFIED: E323964

SOLDERING

JEDEC LEAD FREE REFLOW SOLDERING PROCESS

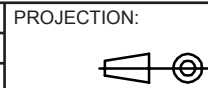
PACKAGING

TUBE

DIMENSION

A = 1.27 x (NB. PIN / 2 - 1)  
 B = 1.27 x (NB. PIN / 2)

RoHS Compliant			
J	26-MAY-16	TEMPERATURE	AK
I	09-DEC-15	TPK	AK
H	13-JUL-26	A & B DIM	QL
REV	DATE	FILE	BY



GENERAL TOLERANCE  
 .X = +/- 0.2  
 .XX = +/- 0.15



APPROVAL: GMo

UNIT: MM

DESCRIPTION: 1.27MM DUAL SMT PIN HEADER H=3.80MM

SIZE

SCALE:

WERI PART NO: 621 0xx 210 21

**A4**

SHEET: 1/3

DRAW: PEARL

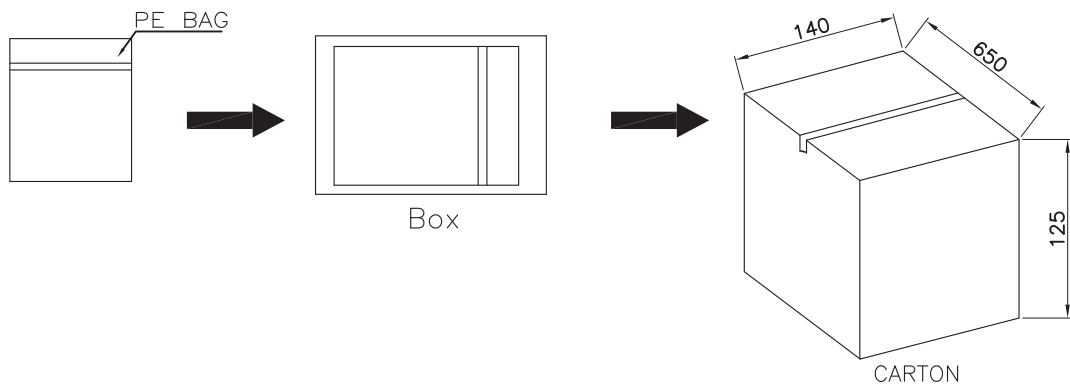
1

2

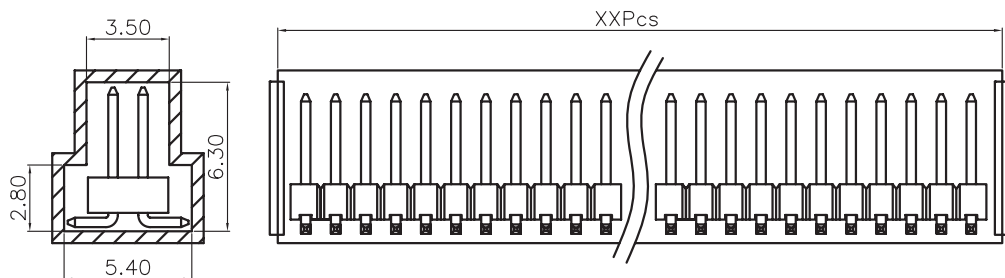
3

4

5

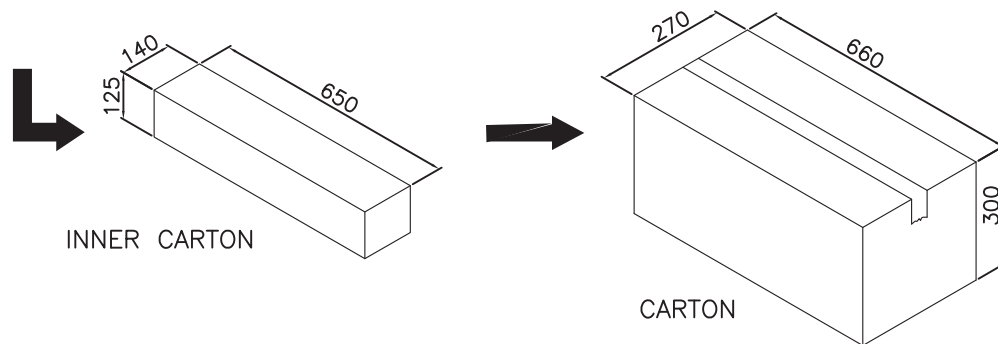


Pin	Pcs/Bag	Pcs/Box	Pcs/Carton
04	500		
06	500		



Note:  
1.Dimension  
Tube Size:635(L) (mm)

Pin.	Pcs/Tube	Pcs/Inner Carton	Pcs/Carton	Pin.	Pcs/Tube	Pcs/Inner Carton	Pcs/Carton
8	120			46	21		
10	96			48	20		
12	80			50	19		
14	68			52	18		
16	60			54	17		
18	54			56	17		
20	48			58	16		
22	43			60	16		
24	40			62	15		
26	37			64	15		
28	34			66	14		
30	32			68	14		
32	30			70	13		
34	28			72	13		
36	26			74	13		
38	25			76	12		
40	24			78	12		
42	23			80	12		
44	22						



RoHS Compliant			
G			
F			
E			
D			
C			
B			
A			
REV	DATE	FILE	BY



APPROVAL: Gmo

GENERAL TOLERANCE  
.X = +/- 0.2  
.XX = +/- 0.15

UNIT: MM

SCALE:

SHEET: 2/3

DRAW: AK



DESCRIPTION: 1.27MM DUAL SMT PIN HEADER H=3.80MM

WERI PART NO: 621 0xx 210 21

SIZE

**A4**

1

2

3

4

5

## Cautions and Warnings:

This electronic component is designed and developed with the intention for use in general electronics equipments.

Before incorporating the components into any equipments in the field such as aerospace, aviation, nuclear control, submarine, transportation, (automotive control, train control, ship control), transportation signal, disaster prevention, medical, public information network etc. where higher safety and reliability are especially required or if there is possibility of direct damage or injury to human body, Würth Elektronik must be asked for a written approval.

In addition, even electronic component in general electronic equipments, when used in electrical circuits that require high safety, reliability functions or performance, the sufficient reliability evaluation-check for the safety must be performed before by the user before usage.

A

B

C

RoHS Compliant

G				PROJECTION: 	GENERAL TOLERANCE .X = +/- 0.2 .XX = +/- 0.15		
F							
E							
D							
C				APPROVAL: JC	UNIT: MM	DESCRIPTION: DISCLAIMER	SIZE <b>A4</b>
B					SCALE:		
A	10-SEP-14	PDF	QL		SHEET: 3/3	WERI PART NO: DISCLAIMER	
REV	DATE	FILE	BY		DRAW: QL		

D