




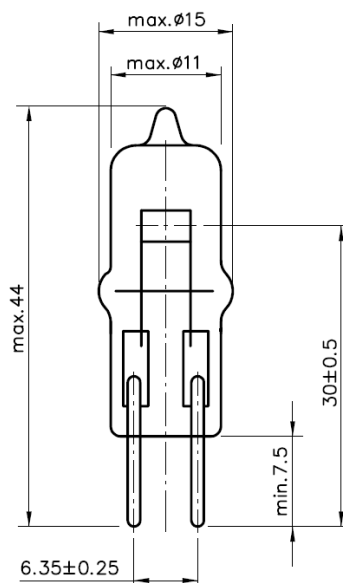
## Medical

	<b>Type SH5926</b> <b>12V 50W GY6,35</b>
	<b>Ordering - No.</b> <b>55926</b>
<b>Product Description</b>	Special Halogen Lamp
<b>Features</b>	Quartz Bulb, Exactly positioned Filament
<b>Applications</b>	Medical, Microscope, Analysis

## Technical Details

Category	HLL3
Rated Voltage (V)	12
Wattage (W)	max. 55
Luminous Flux (lm)	900 - 12%
Average Lifetime (h)	2000
Base	GY6,35 - 15
Overall Length (mm)	max.44,0
Bulb Diameter (mm)	max. 11,0
Light Center Length (mm)	30 ± 0,5
Packaging Configuration	100 pcs.
Environmental Remark	Product don't contain lead or mercury and is conform with Directive 2002/95/EC "Restriction of the use of certain hazardous substances in electrical and electronic equipment".

## Drawing (in mm)



valid from	05.03.2014—V2—PN14/0072
replace for	29.01.2013—V1
file	55926.100.pdf