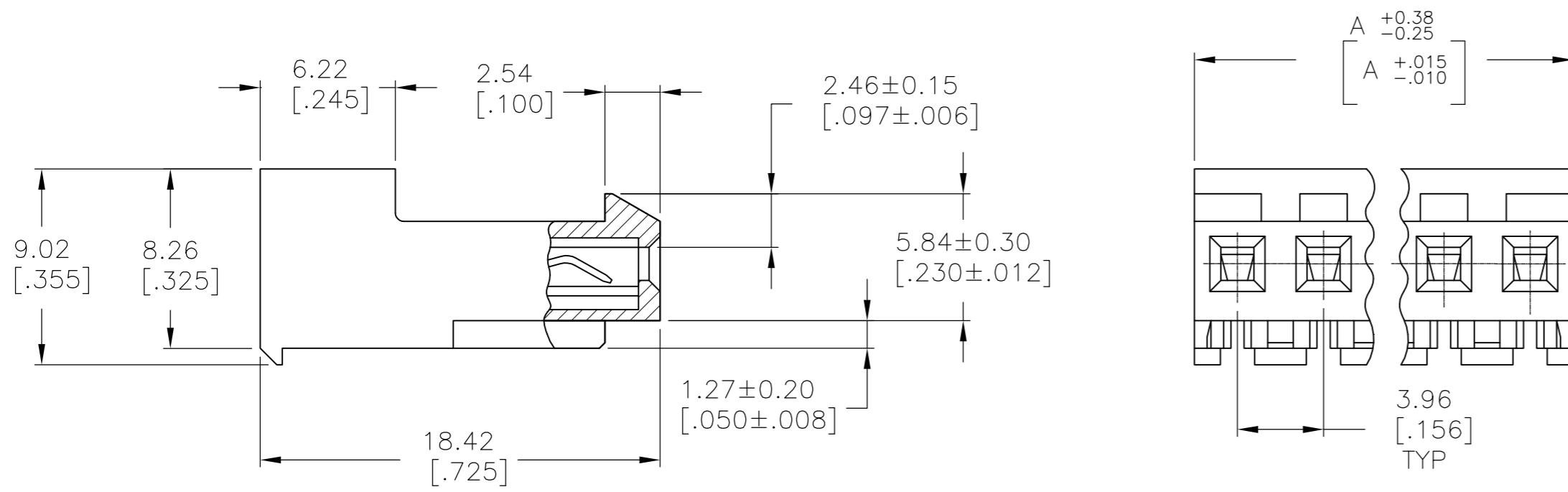
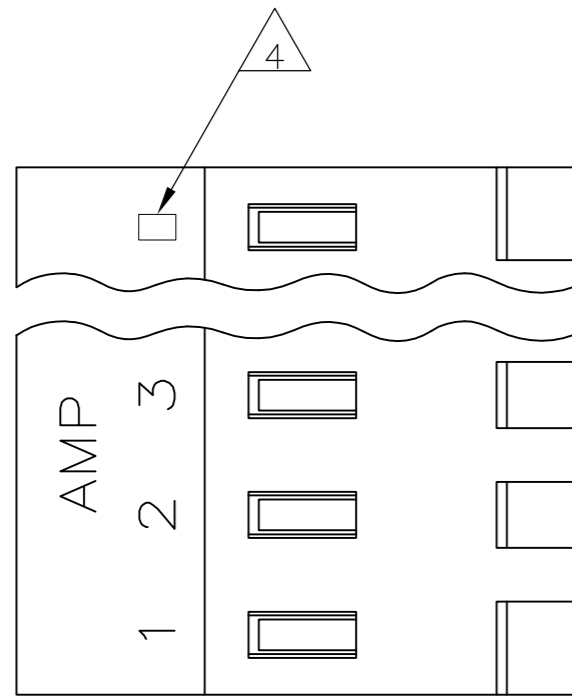


THIS DRAWING IS UNPUBLISHED. RELEASED FOR PUBLICATION
 © COPYRIGHT - By - ALL RIGHTS RESERVED.

LOC	DIST	REVISIONS					
CM	OO	P	LTR	DESCRIPTION	DATE	DWN	APVD
		T		REVISED PER ECO-12-007609	03AUG12	KH	SM



DIM A	NO. OF CIRCUITS	PART NO.
95.10[3.744]	24	5-640427-4
91.13[3.588]	23	5-640427-3
87.17[3.432]	22	5-640427-2
83.21[3.276]	21	5-640427-1
79.25[3.120]	20	5-640427-0
75.29[2.964]	19	4-640427-9
71.32[2.808]	18	4-640427-8
67.36[2.652]	17	4-640427-7
63.40[2.496]	16	4-640427-6
59.44[2.340]	15	4-640427-5
55.47[2.184]	14	4-640427-4
51.51[2.028]	13	4-640427-3
47.55[1.872]	12	4-640427-2
43.59[1.716]	11	4-640427-1
39.62[1.560]	10	4-640427-0
35.66[1.404]	9	3-640427-9
31.70[1.248]	8	3-640427-8
27.74[1.092]	7	3-640427-7
23.77[.936]	6	3-640427-6
19.81[.780]	5	3-640427-5
15.85[.624]	4	3-640427-4
11.89[.468]	3	3-640427-3
7.92[.312]	2	3-640427-2

- 1 MATERIAL: CONNECTOR - NYLON UL94-V2
 CONTACTS - 0.30[.012] THICK COPPER ALLOY
 (BRIGHT TIN-LEAD 0.00203[.000080] MIN. THICK
 FOR CONTACTS 640427-2 THRU 2-640427-4).
 (MATTE WHISKER MITIGATED TIN 0.00203[.000080] MIN.
 THICKNESS OVER NICKEL UNDERPLATE FOR 3-640427-2
 THRU 5-640427-4).
- 2 CONTACTS ACCEPT 20 AWG WIRE WITH 2.41[.095] MAX
 INSULATION DIAMETER.
- 3 CONTACTS MUST ACCEPT 1.14±0.03[.045]
 POST AND REMAIN LOCKED IN POSITION.
- 4 IDENTIFICATION NUMBER FOR LAST CIRCUIT MAY
 NOT APPEAR ON ALL ASSEMBLIES.
- 5 DIMENSIONS IN BRACKETS ARE IN INCHES.
- 6 HOUSING FEATURES ARE: CLOSED END WITH LOCKING
 RAMP.
- 7 OBSOLETE PARTS: OBSOLETE CIS STREAMLINING PER D.RENAUD/D.SINISI
- 8 YELLOW COLOR STRIPE ON HOUSING (NOT SHOWN) MAY RUN DOWN BETWEEN RIBS.

REV	DESCRIPTION	DATE	DWN	APVD
1	SUPERCEDED	95.10[3.744]	24	2-640427-4
2	SUPERCEDED	91.13[3.588]	23	2-640427-3
3	SUPERCEDED	87.17[3.432]	22	2-640427-2
4	SUPERCEDED	83.21[3.276]	21	2-640427-1
5	SUPERCEDED	79.25[3.120]	20	2-640427-0
6	SUPERCEDED	75.29[2.964]	19	1-640427-9
7	SUPERCEDED	71.32[2.808]	18	1-640427-8
8	SUPERCEDED	67.36[2.652]	17	1-640427-7
9		63.40[2.496]	16	1-640427-6
10		59.44[2.340]	15	1-640427-5
11		55.47[2.184]	14	1-640427-4
12		51.51[2.028]	13	1-640427-3
13		47.55[1.872]	12	1-640427-2
14		43.59[1.716]	11	1-640427-1
15		39.62[1.560]	10	1-640427-0
16		35.66[1.404]	9	640427-9
17		31.70[1.248]	8	640427-8
18		27.74[1.092]	7	640427-7
19		23.77[.936]	6	640427-6
20		19.81[.780]	5	640427-5
21		15.85[.624]	4	640427-4
22		11.89[.468]	3	640427-3
23		7.92[.312]	2	640427-2



THIS DRAWING IS A CONTROLLED DOCUMENT.		DWN S. CARPENTER 07JUL03		
DIMENSIONS: mm [INCHES]		CHK D. BOSSI 07JUL03		
TOLERANCES UNLESS OTHERWISE SPECIFIED:		APVD D. BOSSI 07JUL03	NAME	
0 PLC ± -	1 PLC ± -	PRODUCT SPEC	MTA 156 CONNECTOR ASSEMBLY, 20 AWG, STANDARD	
2 PLC ± -	3 PLC ± 0.13 [.005]	APPLICATION SPEC	SIZE	CAGE CODE
4 PLC ± -	ANGLES ± -	FINISH	A2	00779
MATERIAL		WEIGHT	DRAWING NO	RESTRICTED TO
1		-	C=640427	-
CUSTOMER DRAWING		SCALE	SHEET	REV
		4:1	1 OF 1	T