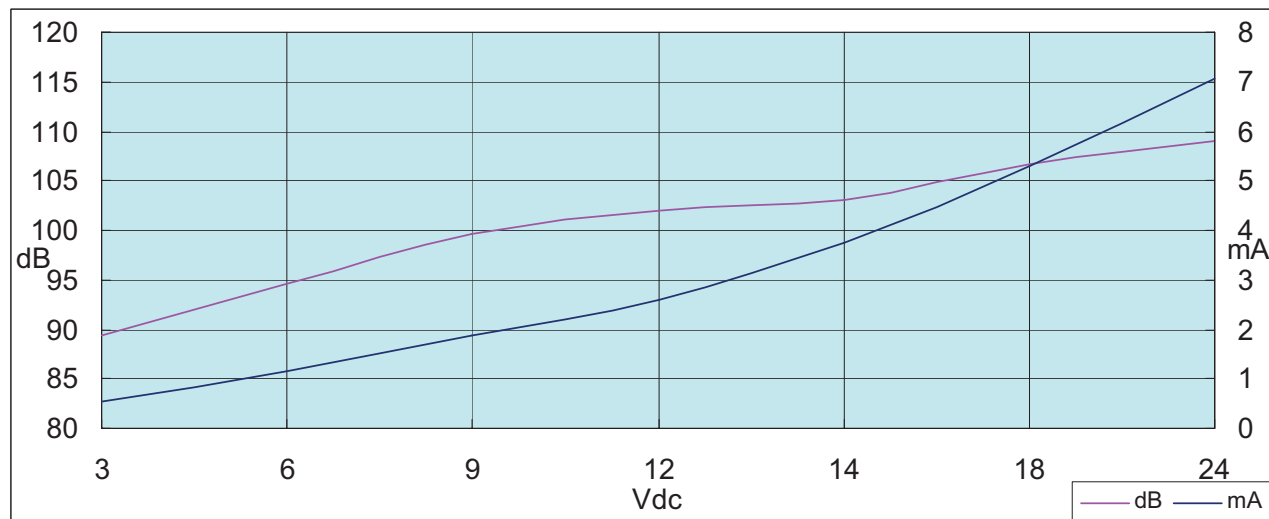


## 1 . Electrical Characteristics

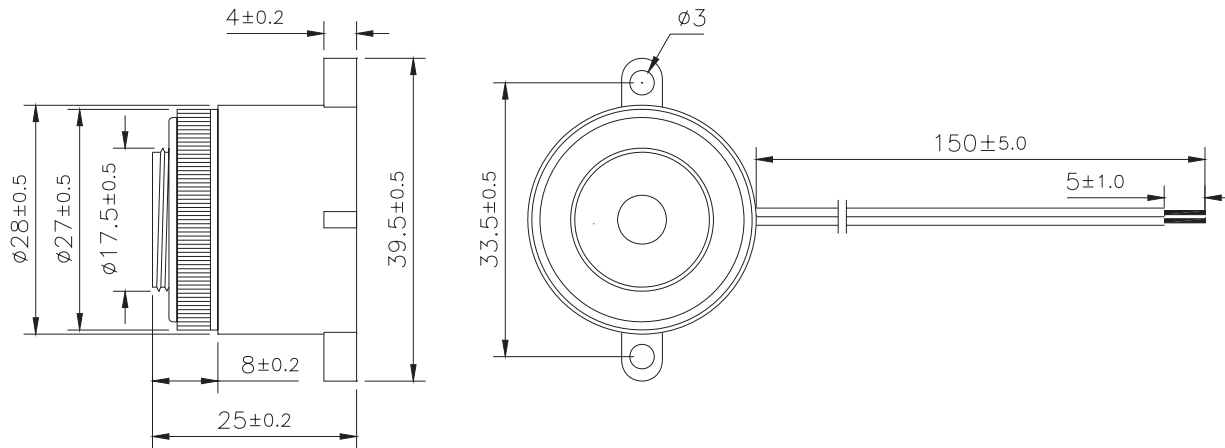
Oscillation Frequency (KHz)	3.5 ± 0.5
Operating Voltage (Vdc)	3 ~ 24
Rated Voltage (Vdc)	12
Current Consumption (mA/max.)	10 at Rated Voltage
Sound Pressure Level (dB/min.)	95 at 30cm at Rated Voltage
Tone/Pulse Rate	Constant
Operating Temperature (°C)	-20 ~ +70
Storage Temperature (°C)	-30 ~ +80
Manual soldering conditions	350±20°C / within 5sec

## 2 . Voltage/ Current / Sound Pressure



### 3 . Dimensions and Material

#### 3-1 Shape



Unit : mm

#### 3-2 Material

Housing	ABS 757 UL94HB plastic resin (Color : Black)
Leading Wire	28 AWG
Weight (Gram)	8.8

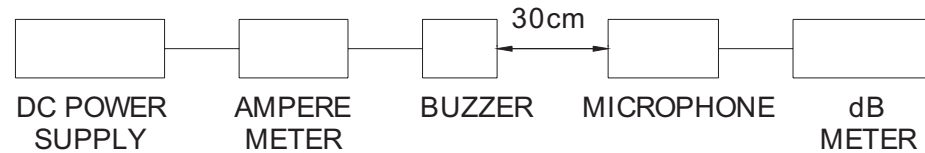
#### 4. TESTING METHOD

- **Standard Measurement conditions**

Temperature:  $25 \pm 2$  °C Humidity: 45-60%

- **Acoustic Characteristics**

The oscillation frequency, current consumption and sound pressure are measured by the measuring instruments shown below.



In the measuring test, buzzer is placed as follows:



5. RELIABILITY

ITEMS	METHOD OF TEST AND MEASUREMENTS	PERFORMANCE
Coldness withstanding	After 98 hours of being exposed to -30 °C environment, should be returned to normal environment for 2 hours, then re-proceed to test.	No abnormality shall exist
Hotness withstanding	After 98 hours of being exposed to +80 °C environment, should be returned to normal environment for 2 hours, then re-proceed to test.	No abnormality shall exist
Humidity withstanding	After 98 hours of being exposed to 40 °C 95%RH environment in actual operation, should be returned to normal environment for 2 hours, then re-proceed to test.	No abnormality shall exist
Durability	Testing after 1,000 hours actual continuous operation.(at standard measurement conditions)	No abnormality shall exist
Drop withstanding	A natural drop from 75cm high down to the ground.	No abnormality shall exist
Vibration withstanding	Vibration of 2,000 cycles per minute, 2mm amplitude, applied in X, Y and Z directions for 30 minutes each.	No abnormality shall exist

6. PACKAGE METHOD

- <1> 80pcs per box , Total 10 boxes per carton , total 800pcs carton;  
 Volume: L\*W\*H=510\*330\*300mm
- < 2 > RoHS Mark

