



Model Number

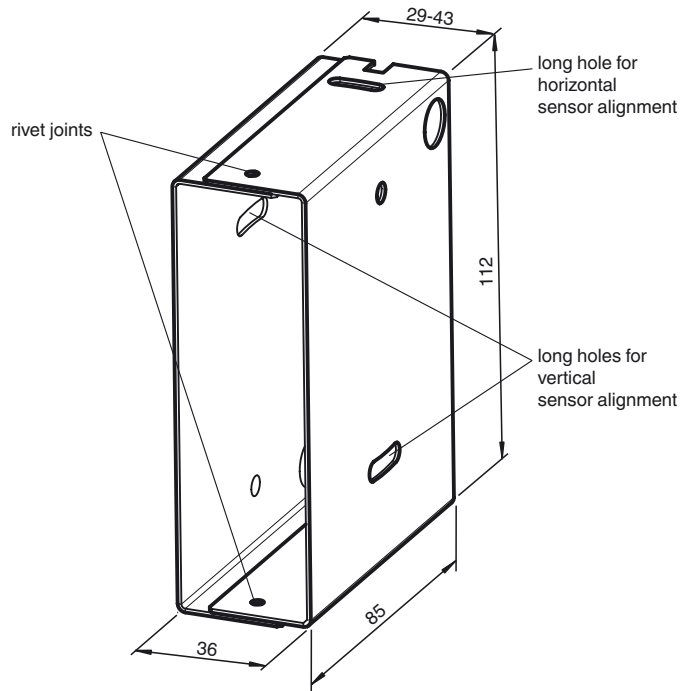
OMH-RLK29
Mounting bracket

Features

- Mounting bracket
- Simple and fast mounting

terminal compartment version only,
option 116

Dimensions



Technical data

Mechanical specifications

Material	Stainless steel
Mass	approx. 85 g

Suitable series

Series	RLK28 RLK29
--------	----------------

Release date: 2013-11-18 14:43 Date of issue: 2013-11-27 114762_eng.xml