

QSFP/QSFP+

TE Internal #: 2143329-1

QSFP/QSFP+, QSFP/QSFP+/zQSFP+, Cage, Port Matrix

Configuration 1 x 6, Customer Applied Gasket, Standard, 6 Port, 1

Rear EONs per Port Column

[View on TE.com >](#)

Connectors > Pluggable IO Connectors & Cages > QSFP/QSFP+/zQSFP+

Pluggable I/O Product Type: **Cage**Port Matrix Configuration: **1 x 6**EMI Containment Feature Type: **Customer Applied Gasket**Included Lightpipe: **No**Enhancements: **Standard****Features****Product Type Features**

Form Factor	QSFP+
Cage Type	Ganged
Pluggable I/O Product Type	Cage
Connector System	Cable-to-Board
Sealable	No
Connector & Contact Terminates To	Printed Circuit Board

Configuration Features

Port Matrix Configuration	1 x 6
Number of Ports	6
Number of Rear EONs per Port Column	1

Contact Features

PCB Contact Termination Area Plating Material	Tin
---	-----

Termination Features

Termination Method to Printed Circuit Board	Through Hole - Press-Fit
---	--------------------------

Mechanical Attachment

Connector Mounting Type	Board Mount
-------------------------	-------------

Housing Features



Cage Material	Nickel Silver
---------------	---------------

Dimensions

Tail Length	2.2 mm[.086 in]
PCB Thickness (Recommended)	1.45 mm[.057 in]

Operation/Application

Heat Sink Compatible	Yes
For Use With Pluggable I/O Products	QSFP Cable Assembly, QSFP MSA Compatible Transceiver
Pluggable I/O Applications	SFP+ Stacked Belly-to-Belly
Circuit Application	Signal

Industry Standards

UL Flammability Rating	UL 94V-0
------------------------	----------

Packaging Features

Packaging Method	Box & Tray
------------------	------------

Other

EMI Containment Feature Type	Customer Applied Gasket
Included Lightpipe	No
Enhancements	Standard

Product Compliance

[For compliance documentation, visit the product page on TE.com>](#)

EU RoHS Directive 2011/65/EU	Compliant
EU ELV Directive 2000/53/EC	Compliant
China RoHS 2 Directive MIIT Order No 32, 2016	No Restricted Materials Above Threshold
EU REACH Regulation (EC) No. 1907/2006	Current ECHA Candidate List: JAN 2021 (211) Candidate List Declared Against: JAN 2021 (211) Does not contain REACH SVHC
Halogen Content	Low Halogen - Br, Cl, F, I < 900 ppm per homogenous material. Also BFR/CFR/PVC Free
Solder Process Capability	Not applicable for solder process capability

Product Compliance Disclaimer



This information is provided based on reasonable inquiry of our suppliers and represents our current actual knowledge based on the information they provided. This information is subject to change. The part numbers that TE has identified as EU RoHS compliant have a maximum concentration of 0.1% by weight in homogenous materials for lead, hexavalent chromium, mercury, PBB, PBDE, DBP, BBP, DEHP, DIBP, and 0.01% for cadmium, or qualify for an exemption to these limits as defined in the Annexes of Directive 2011/65/EU (RoHS2). Finished electrical and electronic equipment products will be CE marked as required by Directive 2011/65/EU. Components may not be CE marked. Additionally, the part numbers that TE has identified as EU ELV compliant have a maximum concentration of 0.1% by weight in homogenous materials for lead, hexavalent chromium, and mercury, and 0.01% for cadmium, or qualify for an exemption to these limits as defined in the Annexes of Directive 2000/53/EC (ELV). Regarding the REACH Regulation, the information TE provides on SVHC in articles for this part number is based on the latest European Chemicals Agency (ECHA) 'Guidance on requirements for substances in articles' posted at this URL: <https://echa.europa.eu/guidance-documents/guidance-on-reach>

Compatible Parts



TE Part # CAT-C11-H501114
QSFP to QSFP I/O Cable Assembly: 30 AWG



TE Part # CAT-C11-H50111
QSFP-Four SFP+ I/O Cable Assembly 30 AWG



TE Part # 2110819-1
QSFP+ Enh EVERCLEAR PT Conn



TE Part # 1888810-2
EMI/Dust Cover, XFP And QSFP



TE Part # CAT-C11-H5011
QSFP-Four SFP+ I/O Cable Assembly 28 AWG



TE Part # CAT-C11-H5011142
QSFP to QSFP I/O Cable Assembly: 33 AWG



TE Part # 2053638-5
C/A, QSFP, 5M, P1-P2, UNEQUALIZED



TE Part # 1-2220639-0
QSFP TO QSFP, ACTIVE, 28AWG, 10M



TE Part # 1-2220639-3
QSFP TO QSFP, ACTIVE, 28AWG, 13M



TE Part # 2053638-4
C/A, QSFP, 4M, P1-P2, UNEQUALIZED



TE Part # 2821309-4
QSFP TO [2]QSFP, 28G, 3 METER, 30AWG



TE Part # 2821309-7
QSFP TO [2]QSFP, 28G, 1 METER, 33AWG



TE Part # 2821309-8
QSFP TO [2]QSFP, 28G, 3 METER, 28AWG



TE Part # CAT-C11-H501
QSFP-Four SFP+ I/O Cable Assembly 26 AWG



TE Part # 2821309-3
QSFP TO [2]QSFP, 28G, 3 METER, 26AWG



TE Part # 2821309-5
QSFP TO [2]QSFP, 28G, 2 METER, 26AWG



TE Part # 2821309-9
QSFP TO [2]QSFP, 28G, 5 METER,
26AWG



TE Part # 2202165-4
QSFP TO QSFP, 26AWG, FDR, 4.0
METER

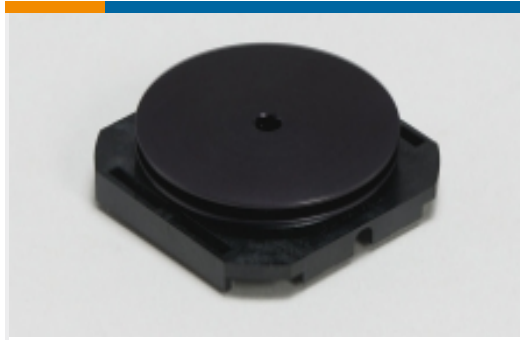


TE Part # 2202165-5
QSFP TO QSFP, 26AWG, FDR, 5.0
METER



TE Part # 2821309-2
QSFP TO [2]QSFP, 28G, 2 METER,
30AWG

Also in the Series | QSFP/QSFP+



Heat Sinks(1)



Pluggable I/O Cable Assemblies(33)



QSFP/QSFP+/zQSFP+(168)

Customers Also Bought



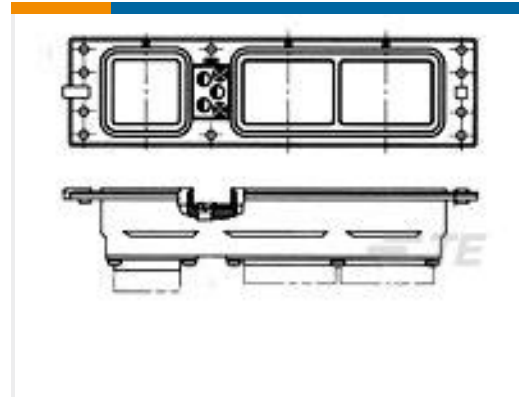
TE Part #1-2149490-7
SFP+ Stacked Cage Assemblies



TE Part #6345056-1
Hard Metric Backplane Male
Connector: Right Angle, Coplanar,
2mm



TE Part #2170790-1
CAGE ASSY, 1X4, QSFP28, SPRING,
HS, LP



TE Part #208970-6
CONNECTOR, SIZE 2 RECEPT-NIC60



TE Part #2-1542006-1
HTS512-U=HS 32.5 ASSY ULTEM CL



TE Part #2-1542006-3
HTS186-U=HS 21MM ASSY ULTEM CL



TE Part #2057042-9
1x3 QSFP Kit Assy LP&HS,
Customized HS



TE Part #2057760-1
IMP100S,H,V3P8C,UG,OEW46,4.5



TE Part #2187644-1
SW PIR RECT, 100OHM, 12X6



TE Part #2299870-4
THERMAL ZQSFP+ STACKED REC
ASSEMBLY 2X2



Documents

Product Drawings

[1x6 QSFP Cage Assy Behind Bzl](#)

English

CAD Files

[3D PDF](#)

3D

Customer View Model

[ENG_CVM_CVM_2143329-1_2.2d_dxf.zip](#)

English

Customer View Model

[ENG_CVM_CVM_2143329-1_2.3d_igs.zip](#)

English

Customer View Model

[ENG_CVM_CVM_2143329-1_2.3d_stp.zip](#)

English

By downloading the CAD file I accept and agree to the [Terms and Conditions](#) of use.

Product Specifications

[Application Specification](#)

English

Product Environmental Compliance

[TE Material Declaration](#)

English