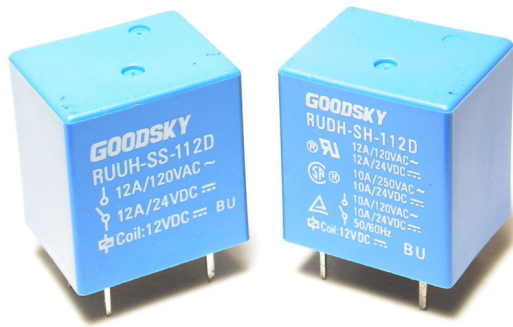


RUUH/RUDH



Main Feature

1. RUDH Series Relay covers switching capacity by 12A under UL approval in spite of miniature size to comply with user's selection.
2. RUDH is approved by UL, CSA & TÜV safety standard.
3. The employment of suitable plastic materials is applied under high temperature and various chemical solutions.
4. Complete protective construction is designed form dust and soldering flux. If required, plastic sealed type is available for washing procedure.

Application:

Domestic Appliances, Office Machines, Audio Equipment, Coffee Pot, Control Units, etc.

Contact Rating:

- Nominal Load (Resistive Load $\cos \varphi = 1$)
Contact Capacity:
RUDH Rating 10A at 120VAC.
10A at 24VDC.
12A at 120VAC.(UL)
12A at 24VDC.(UL)
RUUH Rating 15A at 120VAC.
15A at 24VDC.
Rated Carrying Current RUDH: 10A.
RUUH: 12A.
Max. Allowable Current RUDH: 10A.
RUUH: 12A.
Max. Allowable Voltage AC 240V, DC 110V.
Max. Allowable Power Force. RUDH: 1400 VA, 300W.
..... RUUH: 1500VA, 350W.
Min. Switching Load DC 5V, 10mA.
- Contact Material RUDH: Ag Alloy.
RUUH: Ag Aiioy.
- Contact Form SPST & SPDT.

Performance (at Initial Value)

- Contact Resistance 100m Ω Max. @1A, 6VDC
- Operate Time 15 mSec. Max.
- Release Time 5 mSec. Max.
- Dielectric Strength :
Between Coil & Contact 1,500VAC at 50/60 Hz
for one minute.
Between Contacts 750VAC at 50/60 Hz
for one minute.

- Surge Resistance 3,000V (between Coil & Contact 1.2x50 μ Sec.)
- Insulation Resistance 100 Mega Ω Min. at 500VDC.
- Max. On/Off Switching :
Electrical 30 Ops per Minute.
Mechanical 300 Ops per Minute.
- Temperature Range -30~55°C
- Humidity Range 45~85% RH.
- Coil Temperature Rise 35°C Max.
- Vibration :
Endurance 10 to 55 Hz dual
amplitude width 1.5mm.
Error Operation 10 to 55 Hz dual
amplitude width 1.5mm.
- Shock :
Endurance 1,000 m/S² Min.
Error Operation 100 m/S² Min.
- Life Expectancy :
Mechanical 10⁷ Operations at No
Load condition.
Electrical 10⁵ Operations at Rated
Resistive Load.
- Weight About 12 g.

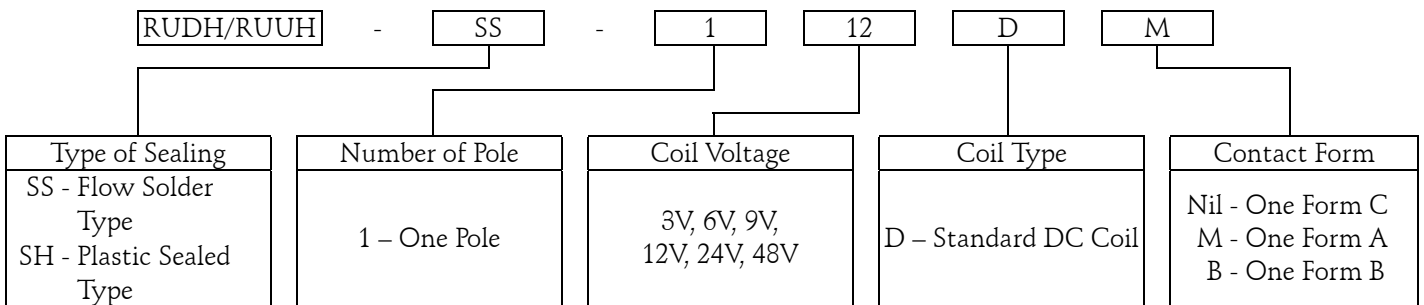
Safety Standard & Its File Number

- RUDH:
UL E141060
CSA LR76598
TÜV R9352326
- RUUH NIL.

Coil Specification (at 20°C)

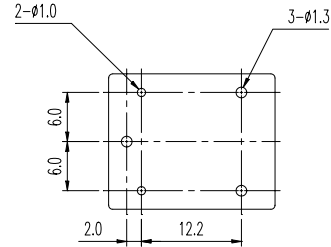
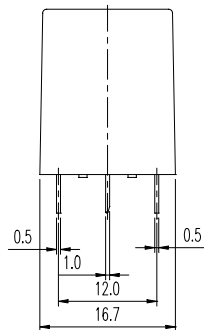
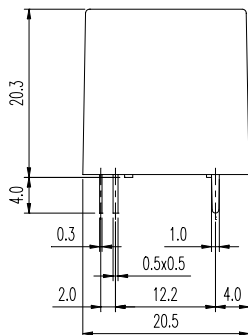
Coil Sensitivity	Nominal Voltage (VDC)	Nominal Current (mA)	Coil Resistance ($\Omega \pm 10\%$)	Power Consumption (W)	Pull-In Voltage (VDC)	Drop-Out Voltage (VDC)	Maximum Allowable Voltage (VDC)
RUUH RUDH	3	150	20	Abt. 0.45	75% Maximum	5% Minimum	130%
	6	75	80				
	9	50	180				
	12	37.5	320				
	24	18.7	1,280	Abt. 0.51	80% Max.		
	48	13.7	4,500				

Ordering Information:

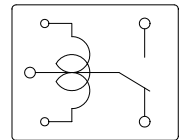


Dimension:

RUDH/RUUH-SS/SH



BOTTOM VIEW



BOTTOM VIEW

Reference Data:

