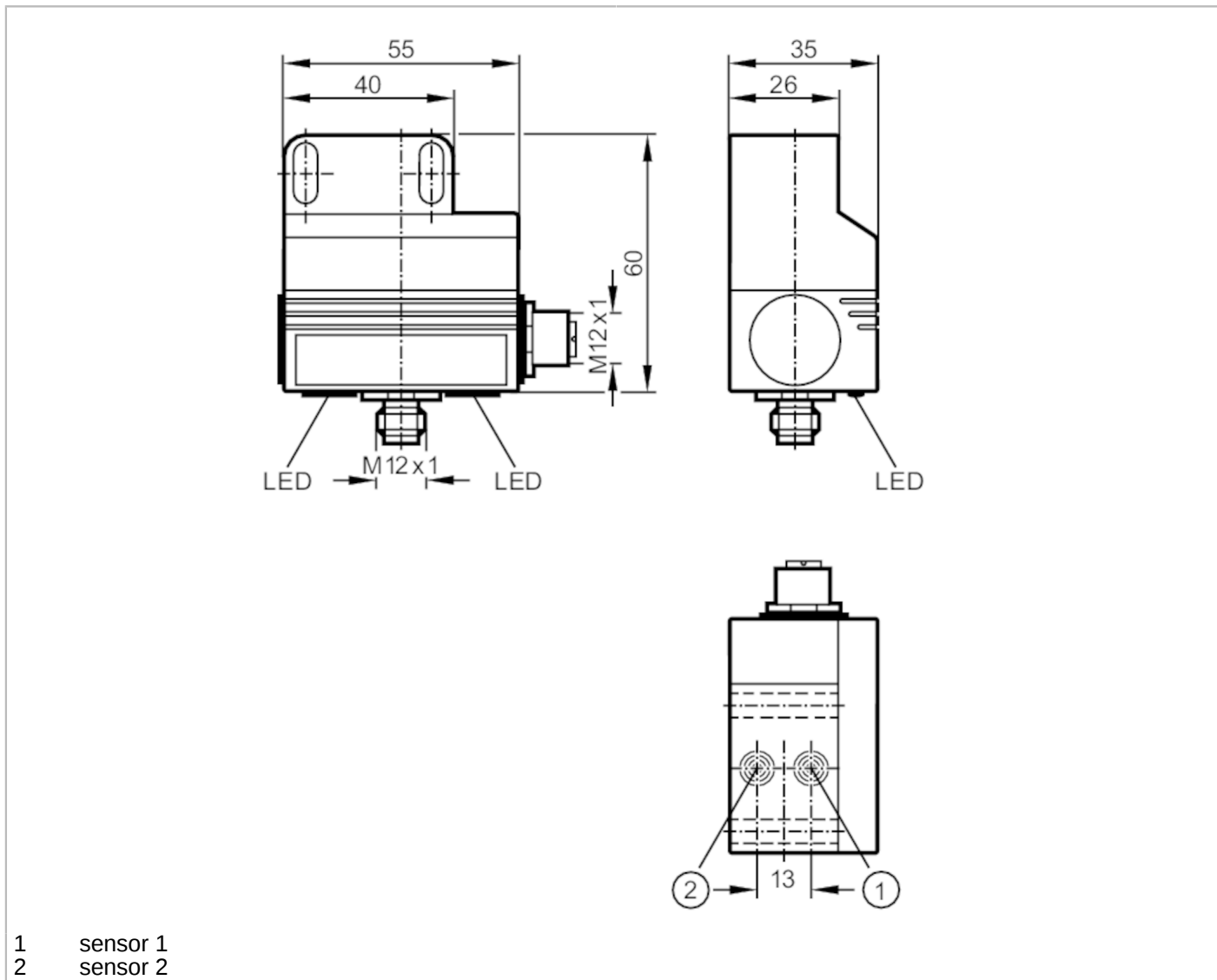


# AC2316



## AS-Interface dual sensor for pneumatic valve actuators

DUAL SENSOR T5 2SI 1DO T M12



Product characteristics		
Electrical design		AS-i
Sensing range	[mm]	4
Dimensions	[mm]	55 x 60 x 35
Electrical data		
Operating voltage	[V]	26.5...31.6 DC; ("supply class 2" to cULus)
Current consumption	[mA]	< 160
Outputs		
Electrical design		AS-i
Permanent current rating of switching output DC	[mA]	100
Detection zone		
Sensing range	[mm]	4

# AC2316



## AS-Interface dual sensor for pneumatic valve actuators

DUAL SENSOR T5 2SI 1DO T M12

Operating conditions		
Ambient temperature	[°C]	-20...70
Protection		IP 67
Tests / approvals		
EMC		EN 50295
		EN 61000-6-2
MTTF	[years]	310
AS-i classification		
AS-i version		2.1
Extended addressing mode possible		yes
AS-i I/O configuration	[hex]	7
AS-i ID code	[hex]	A.E
AS-i certificate		75002
Mechanical data		
Weight	[g]	179
Mounting		non-flush mountable
Dimensions	[mm]	55 x 60 x 35
Materials		PBT; connector housing: stainless steel (1.4305 / 303)
Displays / operating elements		
Display	switching status	2 x LED, yellow
Accessories		
Accessories (supplied)		Reinforcement bracket
		socket head screws: 2 x M5 x 35
		washers: 2
Remarks		
Pack quantity		1 pcs.
Electrical connection		
Electrical connection - plug		
Electrical connection		
1	AS-i +	
3	AS-i -	
Connector: 1 x M12		

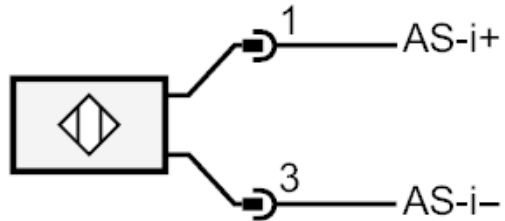
# AC2316



## AS-Interface dual sensor for pneumatic valve actuators

DUAL SENSOR T5 2SI 1DO T M12

### Connection



### Electrical connection - socket

#### Outputs

- 3 external voltage -
- 4 switching output 1 +

Connector: 1 x M12

