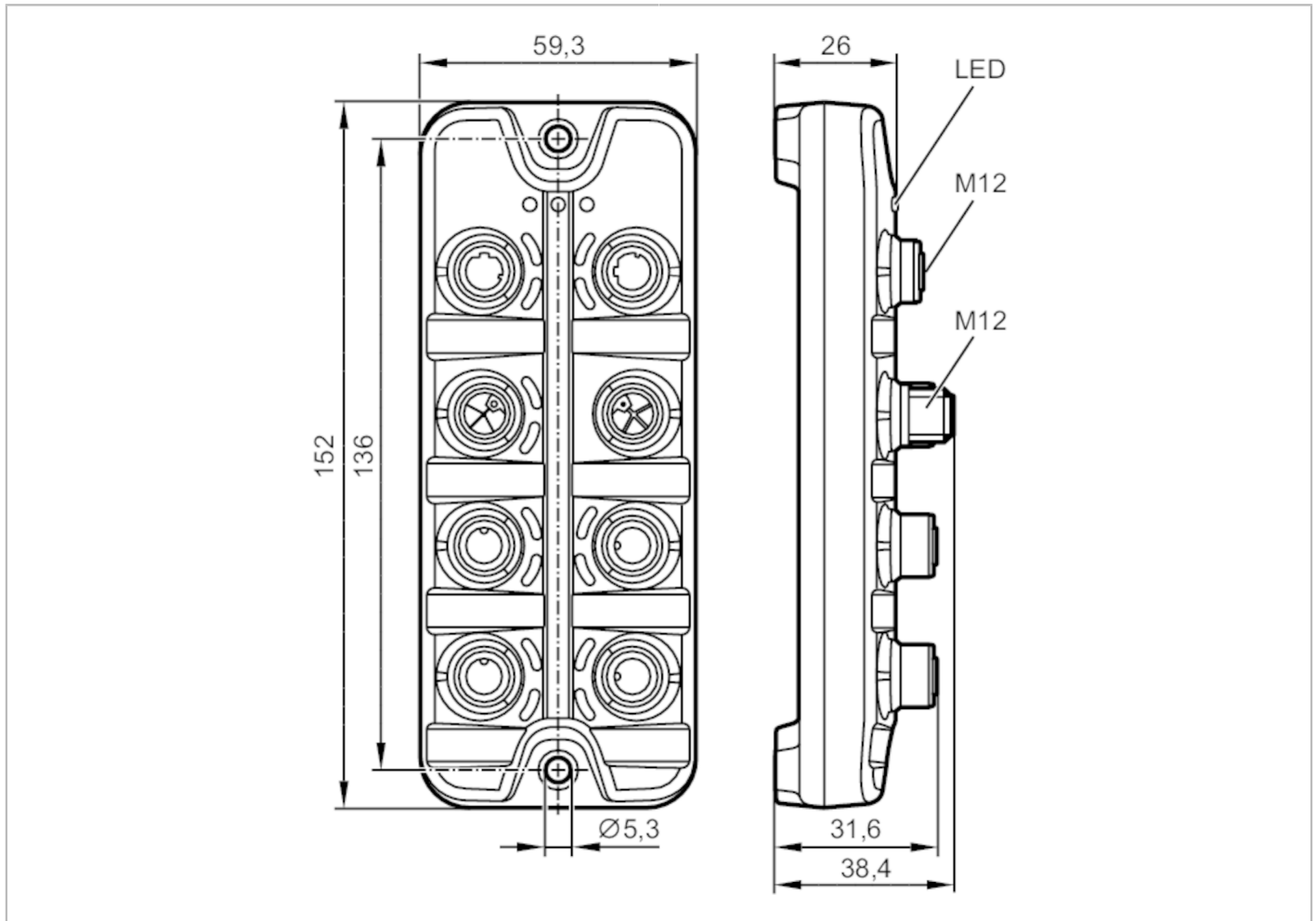


# AL1400



## IO-Link master with PROFINET interface

IO-Link Master PFL PN 4P IP67



Application	
Application	I/O modules for field applications
Daisy-chain function	voltage supply; fieldbus interface
Electrical data	
Operating voltage [V]	20...30 DC; (US; to SELV/PELV)
Current consumption [mA]	300...3900; (US)
Protection class	III
Additional voltage supply [V]	20...30 DC; (UA)
Actuator supply UA	
Max. current load total [A]	8
Current rating per port [A]	2; (adjustable: 0...2; Factory setting: 2)
Sensor supply US	
Max. current load total [A]	3.6
Current rating per port [A]	2; (adjustable: 0...2; Factory setting: 0,45)



## IO-Link master with PROFINET interface

IO-Link Master PFL PN 4P IP67

Inputs / outputs	
Total number of inputs and outputs	12; (configurable)
Number of inputs and outputs	Number of digital inputs: 4; Number of digital outputs: 8
Inputs	
Number of digital inputs	4; (IO-Link Port Class B: 4 x 1)
Switching level high [V]	11...30
Switching level low [V]	0...5
Digital inputs protected against short circuits	yes
Outputs	
Number of digital outputs	8; (IO-Link Port Class B: 4 x 2)
Short-circuit proof	yes
Actuator supply UA	
Max. current load per output [mA]	2000
Sensor supply US	
Max. current load per output [mA]	2000
Interfaces	
Communication interface	Ethernet; IO-Link
Ethernet	
Transmission standard	10Base-T; 100Base-TX
Transmission rate	10; 100
Protocol	PROFINET
Factory settings	IP address: 0.0.0.0
	subnet mask: 0.0.0.0
	gateway IP address: 0.0.0.0
	MAC address: see type label
Note on interfaces	CC-C (Conformance Class C); S2-Redundanz; Configuration in Run (CiR); IRT-Fähigkeit; SNMP
IO-Link Master	
Transmission type	COM 1 / COM 2 / COM 3
IO-Link revision	1.1
Number of ports class B	4
Operating conditions	
Ambient temperature [°C]	-25...60
Storage temperature [°C]	-25...85
Max. relative air humidity [%]	90
Protection	IP 65; IP 66; IP 67
Degree of soiling	2
Tests / approvals	
EMC	EN 61000-6-2
	EN 61000-6-4
Shock resistance	DIN EN 60068-2-27
Vibration resistance	DIN EN 60068-2-64 2009-04
	DIN EN 60068-2-6 2008-10

# AL1400



## IO-Link master with PROFINET interface

IO-Link Master PFL PN 4P IP67

Mechanical data	
Weight [g]	308.1
Materials	housing: PA; socket: brass nickel-plated
Remarks	
Remarks	For further information please see the operating instructions.
Pack quantity	1 pcs.

### Electrical connection

#### Electrical connection - Ethernet

IN / OUT XF1, XF2	
1	TX +
2	RX +
3	TX -
4	RX -
5	not used

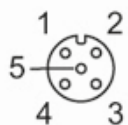
Connector: M12



#### Electrical connection - Process connection

IO-Link Port Class B X1...X4	
1	Sensorversorgung (US) L +
2	Digitaler Ausgang (UA) L+
3	Sensorversorgung (US) L-
4	C/Q IO-Link
5	Aktuatorversorgung (UA) L-

Connector: M12



# AL1400



## IO-Link master with PROFINET interface

IO-Link Master PFL PN 4P IP67

### Electrical connection - voltage supply IN

#### XD1

1	+ 24 V DC (US) brown
2	GND (UA) white
3	GND (US) blue
4	+ 24 V DC (UA) black
5	FE grey

Connector: M12



### Electrical connection - voltage supply OUT

#### XD2

1	+ 24 V DC (US) brown
2	GND (UA) white
3	GND (US) blue
4	+ 24 V DC (UA) black
5	FE grey

Connector: M12

