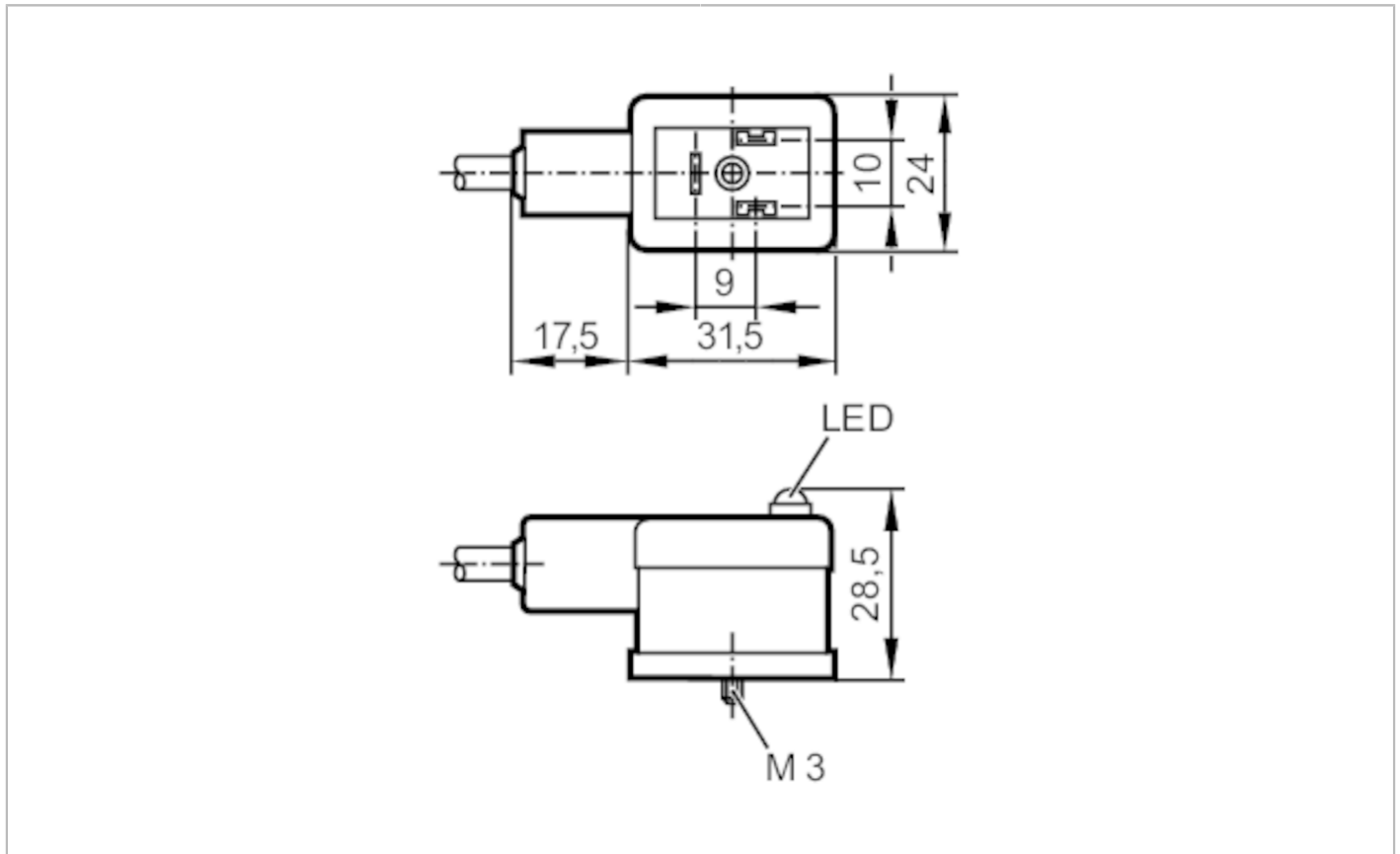


E11992



Jumper cable with valve plug

AVDAB031PLS0010H03



Application		
Special feature	Free from silicone; Halogen-free	
Free from silicone	yes	
Electrical data		
Operating voltage [V]	< 24 AC/DC	
Overvoltage protection	yes; (VDR)	
Operating conditions		
Ambient temperature [°C]	-20...80	
Protection	IP 67	
Mechanical data		
Weight [g]	490	
Dimensions [mm]	28.5 x 24 x 49	
Materials	PP; FKM	
Material nut	brass, nickel-plated	
Displays / operating elements		
Display	switching status	1 x LED, yellow
Remarks		
Pack quantity	1 pcs.	

Electrical connection
 Cable: 10 m, PUR, Halogen-free, Ø 6.6 mm; 3 x 0.5 mm² / AWG 20

Electrical connection - socket
 Connector: 1 x valve type B DIN, angled; Moulded body: PP / FPM; Locking: brass, nickel-plated

E11992

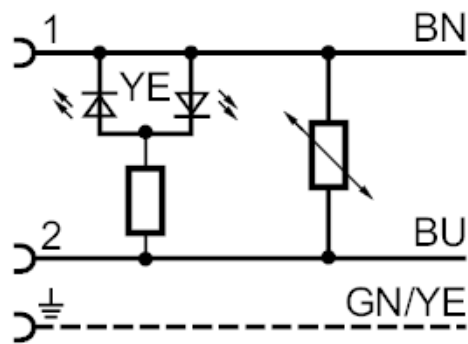


Jumper cable with valve plug

AVDAB031PLS0010H03



Connection



Core colours :

BN =

brown

BU =

blue

GN/YE =

green/yellow