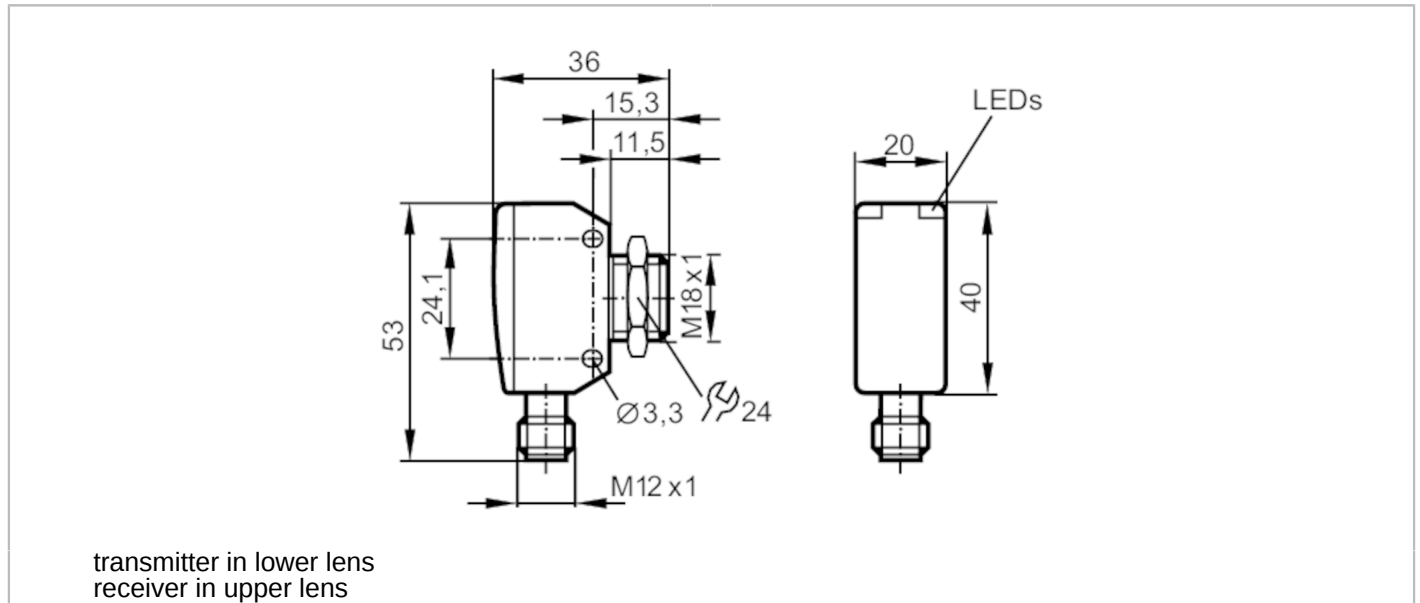


OGE380



Through-beam sensor receiver

OGE-DPKG/US/V4A/CUBE



Product characteristics	
Type of light	red light
Housing	rectangular
Dimensions [mm]	M18 x 1
Application	
Function principle	Through-beam sensor
Electrical data	
Operating voltage [V]	10...30 DC
Current consumption [mA]	20
Protection class	III
Reverse polarity protection	yes
Type of light	red light
Wave length [nm]	624
Outputs	
Electrical design	PNP
Output function	dark-on mode
Max. voltage drop switching output DC [V]	2.5
Permanent current rating of switching output DC [mA]	150; (200 (...60 °C))
Switching frequency DC [Hz]	1000
Short-circuit protection	yes
Type of short-circuit protection	pulsed
Overload protection	yes

OGE380



Through-beam sensor receiver

OGE-DPKG/US/V4A/CUBE

Detection zone		
Transmitter / receiver	receiver	
Range [m]	< 15	
Range adjustable	no	
Operating conditions		
Ambient temperature [°C]	-25...80	
Protection	IP 65; IP 67; IP 68; IP 69K	
Tests / approvals		
EMC	EN 60947-5-2	
MTTF [years]	961	
Mechanical data		
Weight [g]	78	
Housing	rectangular	
Dimensions [mm]	M18 x 1	
Thread designation	M18 x 1	
Materials	1.4542 (17-4 PH / 630); PEI	
Lens material	PEI	
Lens alignment	side lens	
Displays / operating elements		
Display	switching status	1 x LED, yellow
	operation	1 x LED, green
Accessories		
Accessories (supplied)	lock nut: 1 x, stainless steel	
Remarks		
Remarks	operating voltage "supply class 2" according to cULus	
Pack quantity	1 pcs.	
Electrical connection		

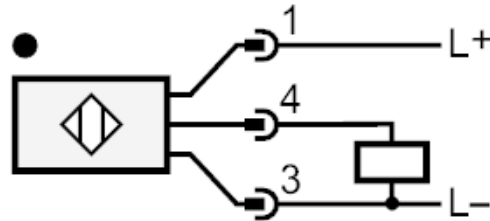
Connector: 1 x M12



Through-beam sensor receiver

OGE-DPKG/US/V4A/CUBE

Connection



Diagrams and graphs

excess gain graph

