



CONTACTOR, AC-6B, 50KVAR/400V, 1NO+1NC, 230V AC, 50/60HZ, 3-POLE, SIZE. S2 SREW TERMINAL

Figure similar

product brand name	SIRIUS
Product designation	3RT26 capacitor contactors

### General technical data:

<b>Insulation voltage</b>		
• Rated value	V	690
<b>Degree of pollution</b>		3
<b>Surge voltage resistance Rated value</b>	kV	6
<b>Mechanical service life (switching cycles)</b>		
• of the contactor with added auxiliary switch block typical		3 000 000
<b>Electrical endurance (switching cycles)</b>		200 000
<b>Protection class IP</b>		
• on the front		IP20
<b>Equipment marking</b>		
• acc. to DIN EN 61346-2		Q
• acc. to DIN EN 81346-2		Q

### Main circuit:

<b>Number of NC contacts for main contacts</b>		0
<b>Number of NO contacts for main contacts</b>		3
<b>Operating current</b>		
• at AC-6b at 690 V		
— at ambient temperature 40 °C Rated value	A	75.8
— at ambient temperature 60 °C Rated value	A	72.2

### Control circuit/ Control:

Type of voltage		AC
Type of voltage of the control supply voltage		AC
<b>Control supply voltage with AC</b>		
• at 50 Hz Rated value	V	230 ... 230
• at 60 Hz Rated value	V	230 ... 230
• Rated value	Hz	50
<b>Operating range factor control supply voltage rated value of the magnet coil with AC</b>		
• at 50 Hz		0.8 ... 1.1
• at 60 Hz		0.85 ... 1.1
<b>Apparent pick-up power of the magnet coil with AC</b>	V·A	210
<b>Apparent holding power of the magnet coil with AC</b>	V·A	17.2
<b>Inductive power factor</b>		
• with closing power of the coil		0.69
• with the holding power of the coil		0.36

#### Auxiliary circuit:

<b>Number of NC contacts</b>		
• for auxiliary contacts		1
— attachable		1
— instantaneous contact		1
<b>Number of NO contacts</b>		
• for auxiliary contacts		1
— attachable		1
— instantaneous contact		1
<b>Product expansion Auxiliary switch</b>		Yes
<b>Identification number and letter for switching elements</b>		1S+1Ö
<b>Operating current of the auxiliary contacts at AC-12 maximum</b>	A	10
<b>Operating current of the auxiliary contacts at AC-15</b>		
• at 230 V	A	6
• at 400 V	A	3
<b>Operating current of the auxiliary contacts at DC-13</b>		
• at 24 V	A	6
• at 60 V	A	2
• at 110 V	A	1
• at 125 V	A	0.9
• at 220 V	A	0.3
<b>Contact reliability of the auxiliary contacts</b>		0.00000001

#### UL/CSA ratings:

<b>Contact rating of the auxiliary contacts acc. to UL</b>		A600 / Q600
--	--	-------------

### Short-circuit:

<b>Design of the fuse link</b> <ul style="list-style-type: none"> <li>• for short-circuit protection of the main circuit           <ul style="list-style-type: none"> <li>— with type of assignment 1 required</li> </ul> </li> <li>• for short-circuit protection of the auxiliary switch required</li> </ul>		gL/gG NH 3NA, DIAZED 5SB, NEOZED 5SE: 160 A fuse gL/gG: 10 A
--	--	---

### Installation/ mounting/ dimensions:

<b>mounting position</b>		+/-180° rotation possible on vertical mounting surface; can be tilted forward and backward by +/- 22.5° on vertical mounting surface
<b>Mounting type</b>		screw and snap-on mounting onto 35 mm standard mounting rail according to DIN EN 50022
<b>Height</b>	mm	114
<b>Width</b>	mm	65
<b>Depth</b>	mm	130
<b>Required spacing</b> <ul style="list-style-type: none"> <li>• with side-by-side mounting           <ul style="list-style-type: none"> <li>— at the side</li> </ul> </li> <li>• for grounded parts           <ul style="list-style-type: none"> <li>— at the side</li> </ul> </li> </ul>	mm	10  10

### Connections/ Terminals:

<b>Type of electrical connection</b> <ul style="list-style-type: none"> <li>• for main current circuit</li> <li>• for auxiliary and control current circuit</li> </ul>		screw-type terminals screw-type terminals
<b>Type of connectable conductor cross-section</b> <ul style="list-style-type: none"> <li>• for main contacts           <ul style="list-style-type: none"> <li>— solid</li> <li>— stranded</li> <li>— single or multi-stranded</li> <li>— finely stranded with core end processing</li> </ul> </li> <li>• for auxiliary contacts           <ul style="list-style-type: none"> <li>— solid</li> <li>— single or multi-stranded</li> <li>— finely stranded with core end processing</li> </ul> </li> <li>• for AWG conductors for auxiliary contacts</li> </ul>		2x (0.75 ... 16 mm <sup>2</sup> ) 2x (16 ... 35 mm <sup>2</sup> ), 1x (16 ... 50 mm <sup>2</sup> ) 2x (1 ... 35 mm <sup>2</sup> ), 1x (1 ... 50 mm <sup>2</sup> ) 2x (1 ... 25 mm <sup>2</sup> ), 1x (1 ... 35 mm <sup>2</sup> )  2x (0.5 ... 1.5 mm <sup>2</sup> ), 2x (0.75 ... 2.5 mm <sup>2</sup> ), 2x 4 mm <sup>2</sup> 2x (0,5 ... 1,5 mm <sup>2</sup> ), 2x (0,75 ... 2,5 mm <sup>2</sup> ), 2x 4 mm <sup>2</sup> 2x (0.5 ... 1.5 mm <sup>2</sup> ), 2x (0.75 ... 2.5 mm <sup>2</sup> ) 2x (20 ... 16), 2x (18 ... 14), 2x 12
<b>Type of minimum connectable cross-section for main contacts at AC-6b</b> <ul style="list-style-type: none"> <li>• at 40 °C</li> <li>• at 60 °C</li> </ul>		1x 35 mm <sup>2</sup> 1x 50 mm <sup>2</sup>

### Safety related data:

<b>Product function Mirror contact acc. to IEC 60947-4-1</b>	No
--	----

Protection against electrical shock		finger-safe
-------------------------------------	--	-------------

**Mechanical data:**

Size of contactor		S2
-------------------	--	----

**Ambient conditions:**

Installation altitude at height above sea level maximum	m	2 000
Ambient temperature		
• during operation	°C	-25 ... +60
• during storage	°C	-55 ... +80

**Certificates/ approvals:**

General Product Approval	other
--------------------------	-------



[Environmental Confirmations](#)

**Further information**

**Information- and Downloadcenter (Catalogs, Brochures,...)**

<http://www.siemens.com/industrial-controls/catalogs>

**Industry Mall (Online ordering system)**

<http://www.siemens.com/industrymall>

**Cax online generator**

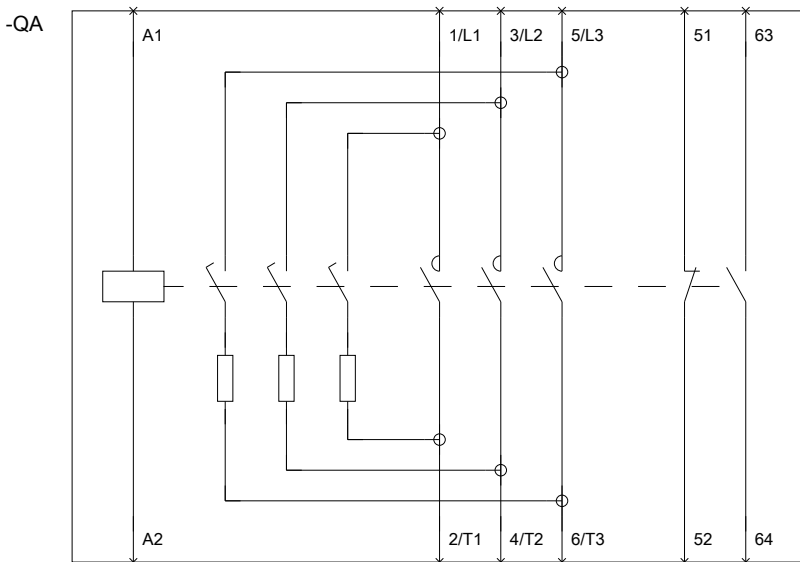
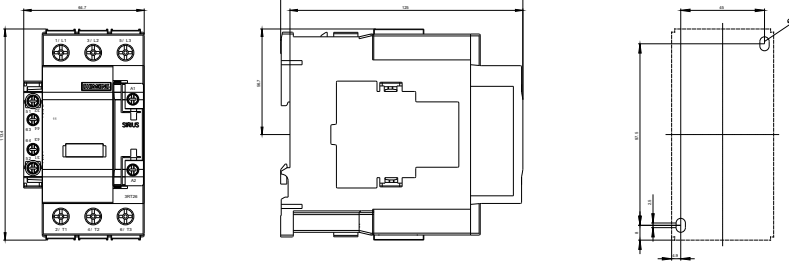
<http://support.automation.siemens.com/WW/CAXorder/default.aspx?lang=en&mlfb=3RT26361AL23>

**Service&Support (Manuals, Certificates, Characteristics, FAQs,...)**

<http://support.automation.siemens.com/WW/view/en/3RT26361AL23/all>

**Image database (product images, 2D dimension drawings, 3D models, device circuit diagrams, EPLAN macros, ...)**

[http://www.automation.siemens.com/bilddb/cax\\_de.aspx?mlfb=3RT26361AL23&lang=en](http://www.automation.siemens.com/bilddb/cax_de.aspx?mlfb=3RT26361AL23&lang=en)



last modified:

11.03.2015