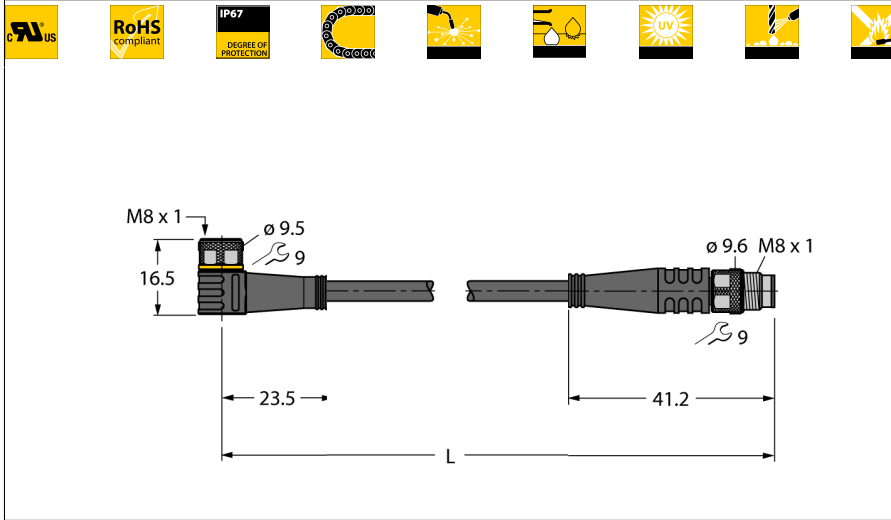


**Actuator/Sensor cable, PUR  
extension cable  
PKW3M-1-PSG3M/TXY**

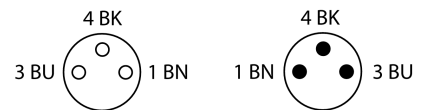
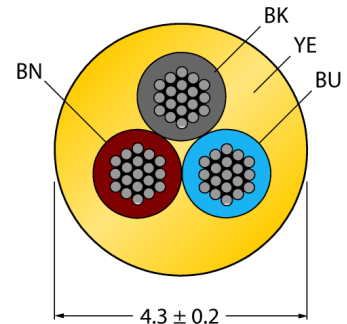


- Female M8, angled, 3-pin
- Male M8, straight, 3-pin
- Sheath material: PUR
- Sheath color: yellow
- Qualified for drag chain use
- Resistant to weld splatter
- Resistant to chemicals, UV radiation and oils
- Flame retardant
- Free from halogen, silicone, PVC and LABS
- Particularly resistant to abrasion
- Approval: cULus
- RoHS conform
- Protection class IP67
- Cable length: 1.0 m

**Type designation** PKW3M-1-PSG3M/TXY  
**Ident no.** 6630080

**Connector A side**  
Number of pins 3  
Contacts Brass, CuZn, Gold-plated  
Contact carriers Plastic, TPU, Black  
Grip Plastic, TPU, Black  
Coupling nut/screw Brass, CuZn, Nickel-plated  
Seal Plastic, FPM/FKM  
Protection class IP67, A + B side screwed together  
Mechanical lifespan > 100 Mating cycles  
Pollution degree 3  
Tightening torque 0.5 ... 0.6 Nm  
(observe max. torque of counter piece!)

**Cable Cross-section**



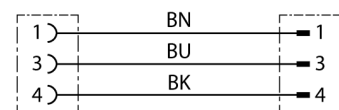
**Connector B side**  
Number of pins 3  
Contacts brass, CuZn, Gold-plated  
Contact carriers Plastic, TPU, Black  
Grip plastic, TPU, black  
Coupling nut/screw Brass, CuZn, Nickel-plated  
Protection class IP67, only in screwed state  
Mechanical lifespan > 100 Mating cycles  
Pollution degree 3  
Tightening torque 0.5 ... 0.6 Nm  
(observe max. torque of counter piece!)

**General data**  
Cable diameter 4.3 ± 0.20mm  
Cable length 1 m  
Cable quality PUR  
Cable color Yellow  
Core insulation PP  
Core colors BN, BU, BK  
Core cross-section 3x0.34mm<sup>2</sup>  
Arrangement of strands 42x0.1 mm

**General information**

Drawing shows design status including hexagon coupling nut  
(Start of production CW21/2016).

**Circuit Diagram**



**Electrical features at +20 °C**  
Current 4 A  
Rated voltage 60 V  
Insulation resistance > 30.5 MΩ/km  
Test voltage 2000 V  
Forward resistance max. 57 Ω/km

**Actuator/Sensor cable, PUR  
extension cable  
PKW3M-1-PSG3M/TXY**

**TURCK**

Industrial  
Automation

---

**Mechanical and chemical properties**

Max. tensile strength (static)	≤ 50 N/mm <sup>2</sup>
Max. tensile strength (dynamic)	≤ 20 N/mm <sup>2</sup>
Bending cycles	> 5 mil.
Bending radius (stationary laying)	> 5 x Ø
Bending radius (flexible use)	> 10 x Ø
Admissible acceleration	max. 5 m/s <sup>2</sup>
Admissible travel path, horizontal	5 m (at 5 m/s <sup>2</sup> )
Admissible travel path, vertical	2 m (at 5 m/s <sup>2</sup> )
Admissible traversing speed	3.3 m/s
Torsional stress	± 180 °/m
Ambient temperature	
Stationary	-50...+80°C
In motion	-25...+80°C
Drag chain operation	-25...+60°C

**Actuator/Sensor cable, PUR  
extension cable  
PKW3M-1-PSG3M/TXY**

**TURCK**

Industrial  
Automation

**Accessories**

Type code	Ident no.	Description	
Torque-Wrench-Set-AS	6936170	Torque wrench set; handles with adjustable torque 0.4-1.0 Nm, torque wrench for M8 (SW9), fork wrench for M12 (SW 14)	
BLANK-LABEL-FOR-CORDESETS-TEL-TXL	6936206	Label for TEL and TXL cables, length: 18 mm, height: 4 mm, material: polycarbonate (PC), color: white, halogen-free and flame-retardant	