



Datenblatt - Fiche technique - Data sheet

21.17.3060



ROLINE Modular Plug ungeschirmt, Kat. 6, 10 Stck

ROLINE Connecteur modulaire non blindé, cat. 6, 10 unités

ROLINE Cat.6 Modular Plug, unshielded, for Stranded Wire, 10 pcs.

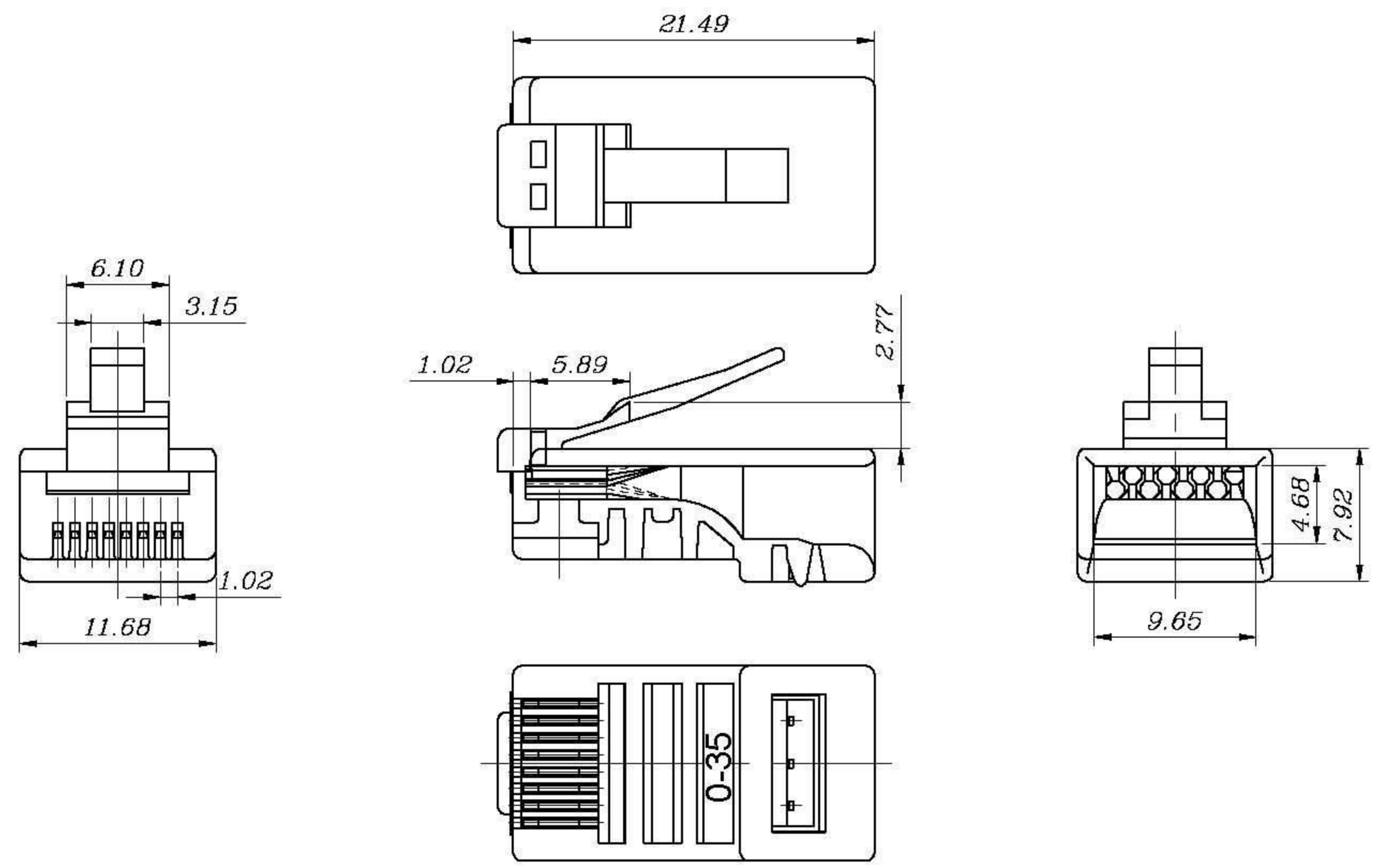
更改 REV	出图日期 DATE	设变内容 MODIFICATION	修改 DRAWN
	17/07/08		

SPECIFICATIONS

1. ELECTRICAL:
 UL APPLICATIONS: 250 VOLTS AC MAX., AT 2 AMPS.
 DIELECTRIC WITHSTANDING VOLTAGE: 500 VOLTS AC.
 INSULATION RESISTANCE: 100 MΩ.
 TERMINATION: RESISTANCE 20mΩ MAX AFTER ENVIRONMENTAL TESTING.

2. MECHANICAL:
 CABLE-TO-PLUG TENSILE STRENGTH: 20PUND MIN.
 DURABILITY: 200 MATING CYCLES.

3. MATERIAL & FINISH:
 HOUSING: POLYCARBONATE, UL94V-0 OR UL94V-2.
 COLOR: TRANSPARENT OR OTHER COLOR ARE AVAILABLE.
 CONTACT BLADE: COPPER ALLOY.
 CONDUCTOR: STRANDED & SOLID WIRE, 24AWG, 26 AWG.
 GOLD PLATING: 3u"~50u", ARE AVAILABLE.



ITEM: _____

BLADE:	E	Y	Z	A	YL	ZL			
Drawing									
Mark			✓			✓			
GOLD PLATING	3Mu"	3u"	6u"	15u"	30u"	50u"	CABLE TYPE	ROUND	FLAT
Mark					✓		Mark	✓	



Rotronic Co., Ltd.			
DIMENSION IN mm (Inch) TOLERANCE UNLESS OTHERWISE SPECIFIED	材质 MATERIAL PC	图号 DWG NO. 21.17.3060 PLUG-017	
.X±0.20	.X°±5°	名称 TITLE P88R5Z50V2T	
.XX±0.10	.XX°±2°	比例 SCALE 2/1	张数 SHEET 1/1
审核 APPROVAL 沈红波	核对 CHECKED 吴明	制图 DRAWN Lucia	角法 PROJ.
		更改 REV G	