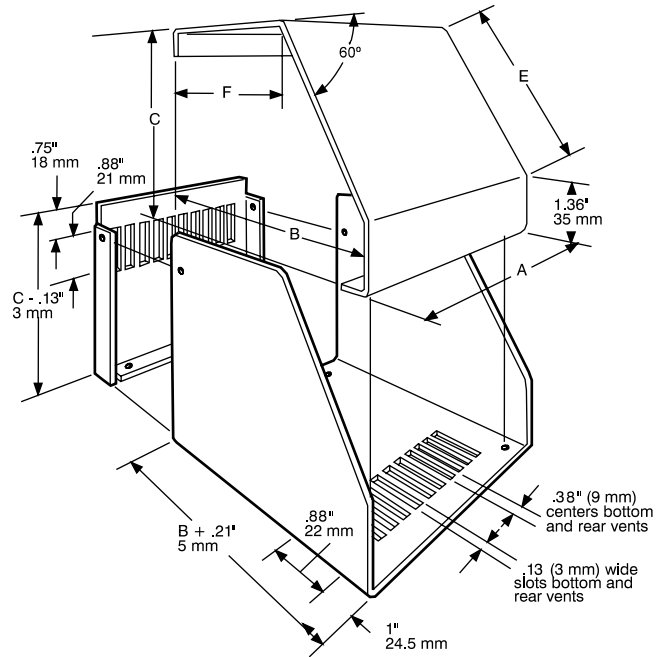
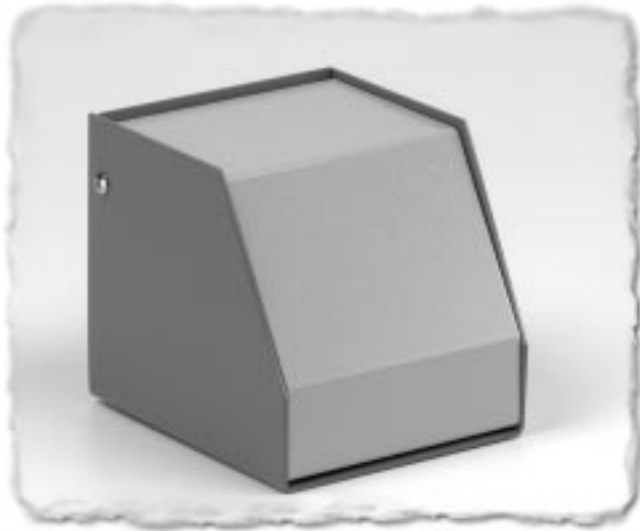


# Sloped Instrument Consoles (SCEM Series)



## KEY FEATURES

- Convection ventilation is provided by slots in the bottom and removable rear panels.
- Aluminum case is finished in satin blue with a contempora grey panel.
- Supplied with hardware and rubber feet.
- Replacement screws **1421J6** (Pkg. of 6, 6-32 Philips head screws).

Metal

Part Number	Units	Dimensions				
		A	B	C	E	F
<b>SCEM101110WH</b>	inch mm	4 102	4.5 114	4 102	3 76	2.9 74
<b>SCEM161110WH</b>	inch mm	6.5 165	4.5 114	4 102	3 76	2.9 74
<b>SCEM161414WH</b>	inch mm	6.5 165	5.5 140	5.5 140	4.7 119	3.1 79
<b>SCEM251414WH</b>	inch mm	10 254	5.5 140	5.5 140	4.7 119	3.1 79
<b>SCEM251619WH</b>	inch mm	10 254	6.5 165	7.5 191	7 179	2.9 74
<b>SCEM351619WH</b>	inch mm	14 356	6.5 165	7.5 191	7 179	2.9 74