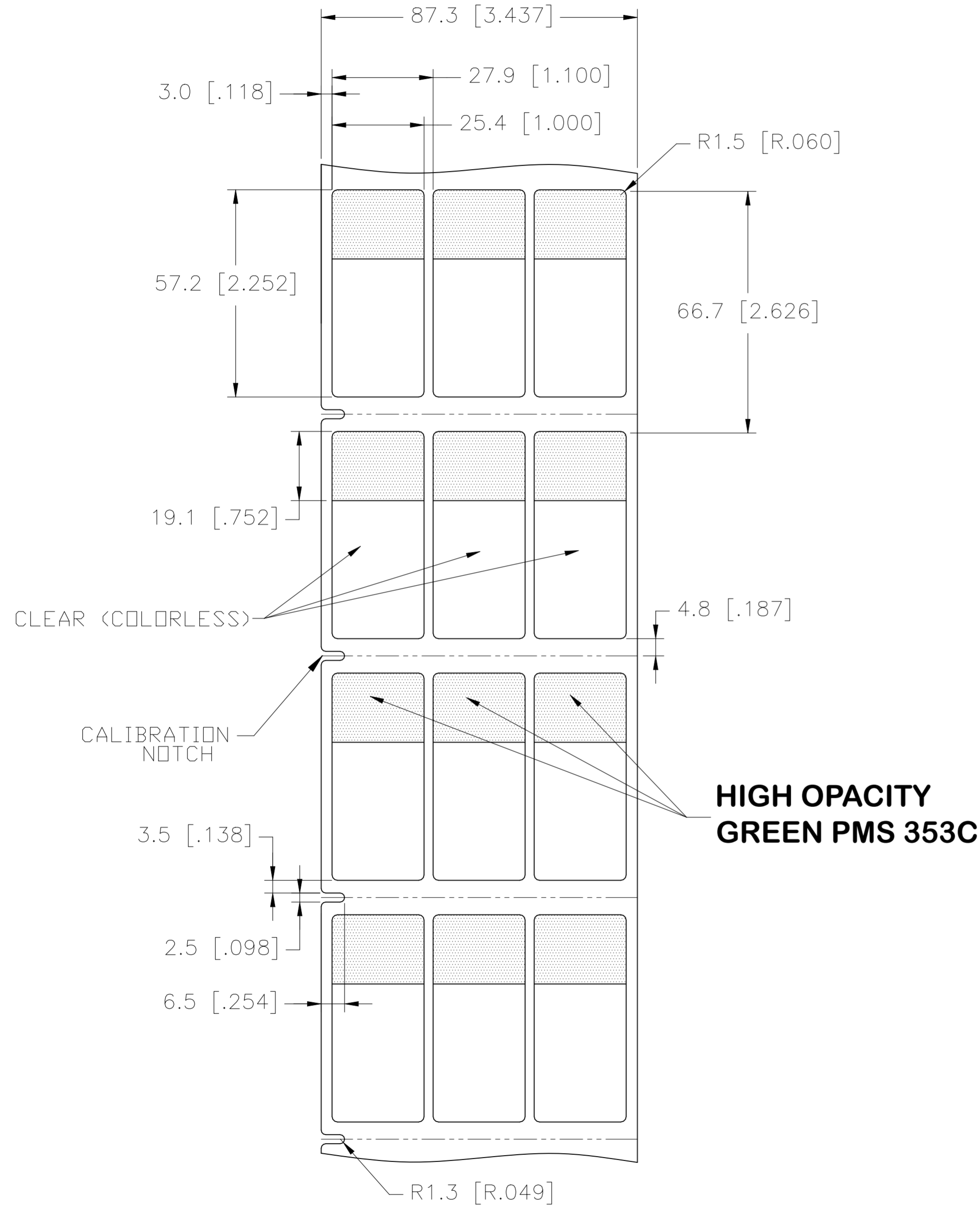
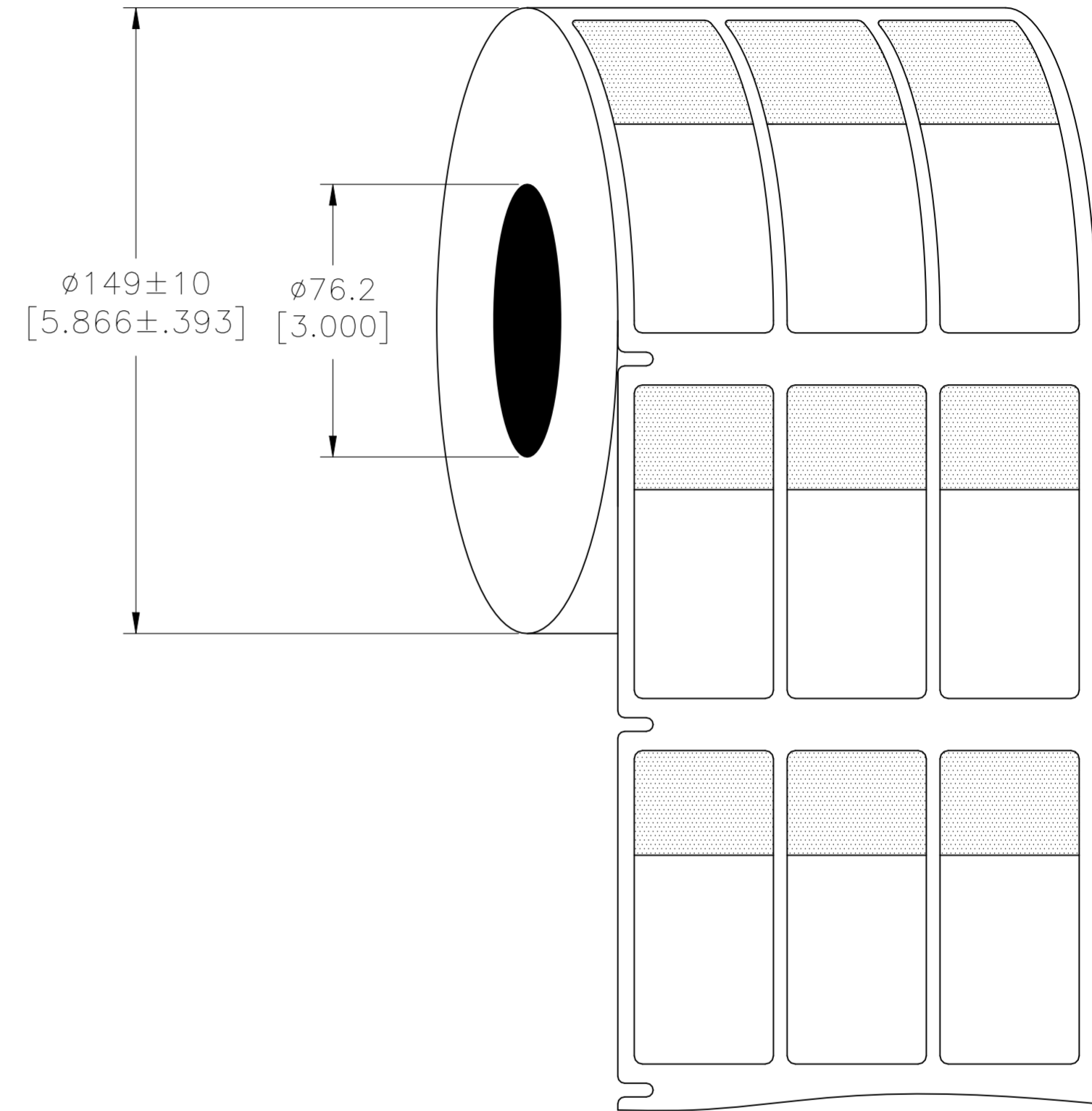


REVISIONS					
P	LTR	DESCRIPTION	DATE	DWN	APVD
	A	INITIAL RELEASE	02JUL2022	GK	DB

LABEL AND LINER DESIGN



PRESENTATION



PRINT COLOR CONFORMS TO LABELING STANDARD TIA-606

OUTSIDE WOUND LABEL ACROSS: 3 PER ROLL QTY: 3000

All dimensions in mm [Inch]
TE PN: 1SET530111R0000

TOLERANCES mm [INCH] LABEL HEIGHT: ±0.3 [.012] LABEL WIDTH: ±0.3 [.012] WEB WIDTH: ±0.8 [.031] VERTICAL REPEAT: ±0.8 [.031]* HORIZONTAL REPEAT: ±0.8 [.031]* PRINT POSITIONING: ±0.8 [.031]* LEFT MARGIN: ±0.4 [.016] QUANTITY: -0 % +2 % *NON ACCUMULATING		THIS DRAWING IS A CONTROLLED DOCUMENT. DIMENSIONS: mm [INCHES] TOLERANCES UNLESS OTHERWISE SPECIFIED: 0 PLC ± 1 PLC ± 2 PLC ± 3 PLC ± 4 PLC ± ANGLES ± ± FINISH -		DWN 02JUL2022 CHK GOPALAKRISHNA HV D.BURGAT 02JUL2022 APVD D.BURGAT 02JUL2022 PRODUCT SPEC TTDS-283 APPLICATION SPEC -		NAME SBP EWS LABEL - GREEN 25.4 x 57.2mm [1.00 x 2.25inch]	
MATERIAL: SEE TABLE		MATERIAL: CLEAR VINYL		ADHESIVE TYPE: ACRYLIC PERMANENT		ADHESIVE TYPE: WHITE KRAFT	
MATERIAL: LINEAR		MATERIAL: CLEAR VINYL		ADHESIVE TYPE: ACRYLIC PERMANENT		ADHESIVE TYPE: WHITE KRAFT	
WEIGHT: 0.202g		SIZE: A2		CAGE CODE: FB1U7		DRAWING NO: SBPE12-1925-GN-3	
CUSTOMER DRAWING		SCALE: NTS		SHEET: 1 OF 1		REV: A	