

Pitbull Clamps

23290.0052



Product Description

Pitbull® clamps for low mounting height with a high clamping force and down hold effect. The O-ring serves to lift the clamp off when releasing.

Material

Body

- Steel, hardened

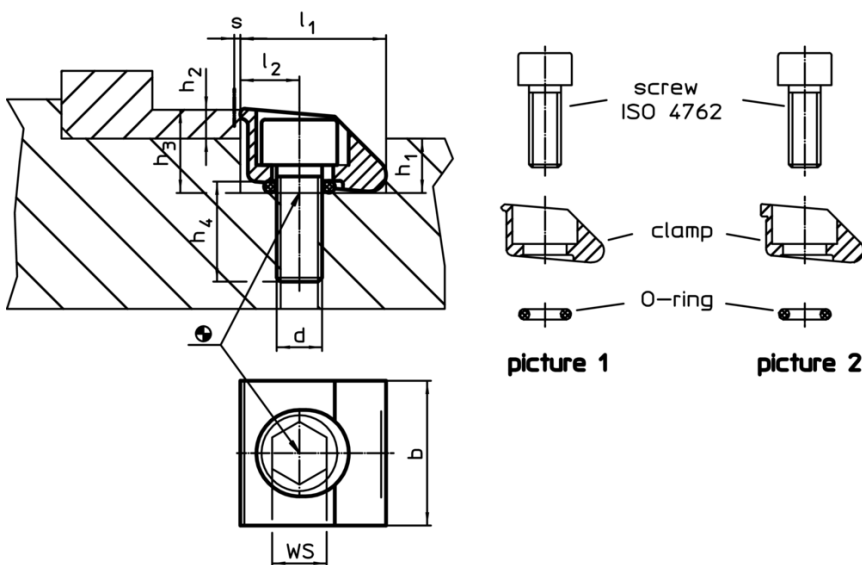
Screw

- Heat-treated steel, heat treated

O-ring

- NBR

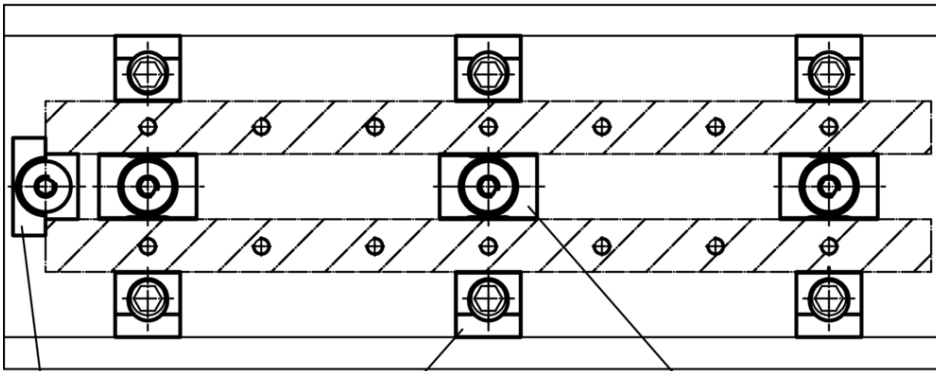
Drawing



Order information

| d | b | Dimensions | | | | | | Clamping way s | WS | Clamping force max. [kN] | Tightening torque max. [Nm] | Temperature | | Weight [g] | Art. No. |
|------------------------------------|------|----------------------|------------------------|----------------|------------------------|---------------------|---------------------|-------------------|----|-----------------------------------|--------------------------------------|-------------|------|---------------|----------------------------|
| | | l ₁ H9 | l ₂ [mm] | h ₁ | h ₂ min. | h ₃ ~ | h ₄ ~ | | | | | min. | max. | | |
| with knife edge – picture 1 | | | | | | | | | | | | | | | |
| M4 | 12.7 | 12.7 | 5.1 | 4.8 | 2.6 | 7.4 | 8 | 0.4 | 3 | 2.6 | 6 | -30 | 80 | 7.5 | 23290.0052 |

Application example



Stop
23290.0104

Pitbull-Clamp
e.g. 23290.0052

Clamping Claw
e.g. 23290.0101

Compliance

RoHS compliant

Compliant according to Directive 2011/65/EU and Directive 2015/863

Does not contain SVHC substances

No SVHC substances with more than 0.1% w/w contained - SVHC list [REACH] as of 10.06.2022

Does not contain Proposition 65 substances

No Proposition 65 substances included
<https://www.P65Warnings.ca.gov/>

Free from Conflict Minerals

This product does not contain any substances designated as "conflict minerals" such as tantalum, tin, gold or tungsten from the Democratic Republic of Congo or adjacent countries.