

Dot laser, red, 650 nm, 1 mW

DI650-1-3(8x21)
Order Number: 70100594

| Main Parameters (*) | min | typ | max | Unit |
|-----------------------|-----|-----|-----|------|
| Wavelength | | 650 | | nm |
| Optical Output Power | | 1 | | mW |
| Operating Voltage | 2.7 | 3 | 3.3 | V DC |
| Operating Current | 20 | 30 | 40 | mA |
| Operating Temperature | -20 | | 50 | °C |
| Storage Temperature | -40 | | 80 | °C |

Main Data

Warranty 1 years

Technical Parameters

Lifetime > 10,000 h
RoHS yes

Optical Parameters

| | |
|--------------------|----------------------|
| Beam Shape | Dot |
| Laser Class | 2 |
| Divergence | 1 - 1.5 mrad |
| Beam Diameter | 2 mm |
| Size of Laserdot | <3..5mm@5m |
| Operating Distance | 10 m |
| Optics | glass lens AR coated |
| Laser technology | diode |
| Focus | collimated |

Electrical Parameters

Potential of Housing isolated

Mechanical Parameters

| | |
|-----------------|-----------|
| Size | Ø8x21 mm |
| Material | aluminium |
| Cable length | 100 mm |
| Output Aperture | 2 mm |
| Housing Color | black |
| Weight | 3 g |

(*) Over the complete operating temperature range

Features



- Operating Voltage 3 V DC
- Compact size
- Laser Class 2
- Image processing
- Fixed focus

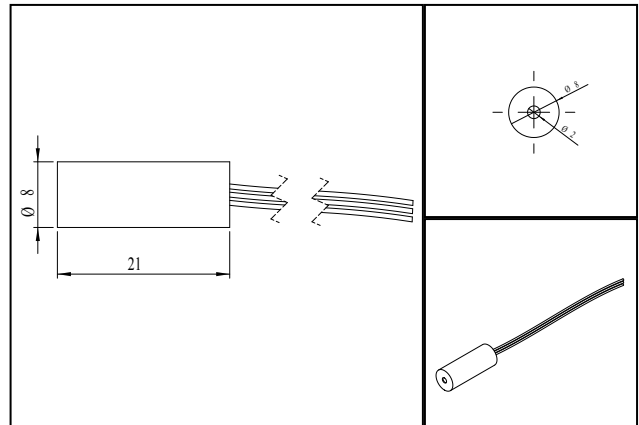
Picture



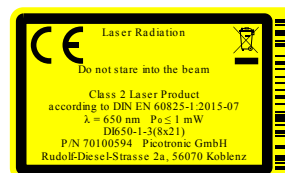
Cable color

| | | | |
|----------|--|------|-----------------------|
| Ground |  | blue | GND |
| positive |  | red | 2.7 - 3.3, typ 3 V DC |

Drawing



Safety Label



Valid Revision

15 | 21-APR-2021