

SN55109A, SN55110A SN75109A, SN75110A, SN75112 DUAL LINE DRIVERS

SLLS106B – DECEMBER 1975 – REVISED MAY 1995

- Improved Stability Over Supply Voltage and Temperature Ranges
- Constant-Current Outputs
- High Speed
- Standard Supply Voltages
- High Output Impedance
- High Common-Mode Output Voltage Range
–3 V to 10 V
- TTL-Input Compatibility
- Inhibitor Available for Driver Selection
- Glitch-Free During Power Up/Power Down
- SN75112 and External Circuit Meets or Exceeds the Requirements of CCITT Recommendation V.35

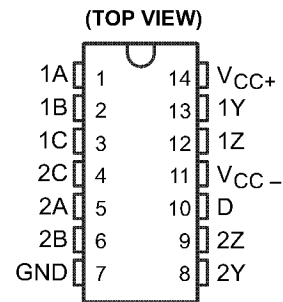
description

The SN55109A, SN55110A, SN75109A, SN75110A, and SN75112 dual line drivers have improved output current regulation with supply voltage and temperature variations. In addition, the higher current of the SN75112 (27 mA) allows data to be transmitted over longer lines. These drivers offer optimum performance when used with the SN55107A, SN55108A, SN75107A, and SN75108A line receivers.

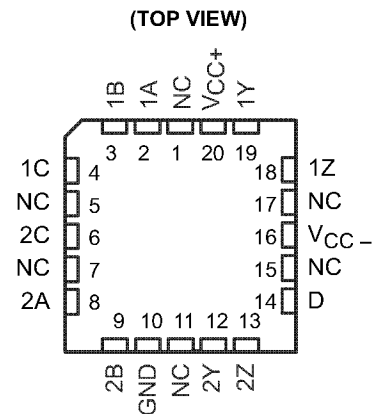
These drivers feature independent channels with common voltage supply and ground terminals. The significant difference between the three drivers is in the output current specification. The driver circuits feature a constant output current that is switched to either of two output terminals by the appropriate logic levels at the input terminals. The output current can be switched off (inhibited) by low logic levels on the enable inputs. The output current is nominally 6 mA for the '109A, 12 mA for the '110A, and 27 mA for the SN75112.

The enable/inhibit feature is provided so the circuits can be used in party-line or data-bus applications. A strobe or inhibitor (enable D), common to both drivers, is included for increased driver-logic versatility. The output current in the inhibited mode, $I_{O(off)}$, is specified so that minimum line loading is induced when the driver is used in a party-line system with other drivers. The output impedance of the driver in the inhibited mode is very high. The output impedance of a transistor is biased to cutoff.

SN55109A, SN55110A . . . J OR W PACKAGE
SN75109A, SN75110A, SN75112 . . . D OR N PACKAGE



SN55109A, SN55110A . . . FK PACKAGE



NC – No internal connection

**THE SN75109A IS NOT
RECOMMENDED FOR NEW DESIGNS**

AVAILABLE OPTIONS

| T _A | PACKAGED DEVICES | | | | CERAMIC FLATPACK (W) |
|----------------|------------------------------------|--------------------------|------------------------|------------------------------------|----------------------------|
| | SMALL OUTLINE (D) | CHIP CARRIER (FK) | CERAMIC DIP (J) | PLASTIC DIP (N) | |
| 0°C to 70°C | SN75109AD SN75110AD SN75112D | | | SN75109AN SN75110AN SN75112N | |
| –55°C to 125°C | | SN55109AFK SN55110AFK | SN55109AJ SN55110AJ | SN55109AJ SN55110AJ | SN55109AW SN55110AW |

The D package is available taped and reeled. Add the suffix R to the device type, (e.g., SN75110ADR).

PRODUCTION DATA information is current as of publication date. Products conform to specifications per the terms of Texas Instruments standard warranty. Production processing does not necessarily include testing of all parameters.



POST OFFICE BOX 655303 • DALLAS, TEXAS 75265

Copyright © 1995, Texas Instruments Incorporated

**SN55109A, SN55110A
SN75109A, SN75110A, SN75112
DUAL LINE DRIVERS**

SLLS106B – DECEMBER 1975 – REVISED MAY 1995

description (continued)

The driver outputs have a common-mode voltage range of -3 V to 10 V , allowing common-mode voltage on the line without affecting driver performance.

All inputs are diode clamped and are designed to satisfy TTL-system requirements. The inputs are tested at 2 V for high-logic-level input conditions and 0.8 V for low-logic-level input conditions. These tests ensure 400-mV noise margin when interfaced with TTL Series 54/74.

The SN55109A and SN55110A are characterized for operation over the full military temperature range of -55°C to 125°C . The SN75109A, SN75110A, and SN75112 are characterized for operation from 0°C to 70°C .

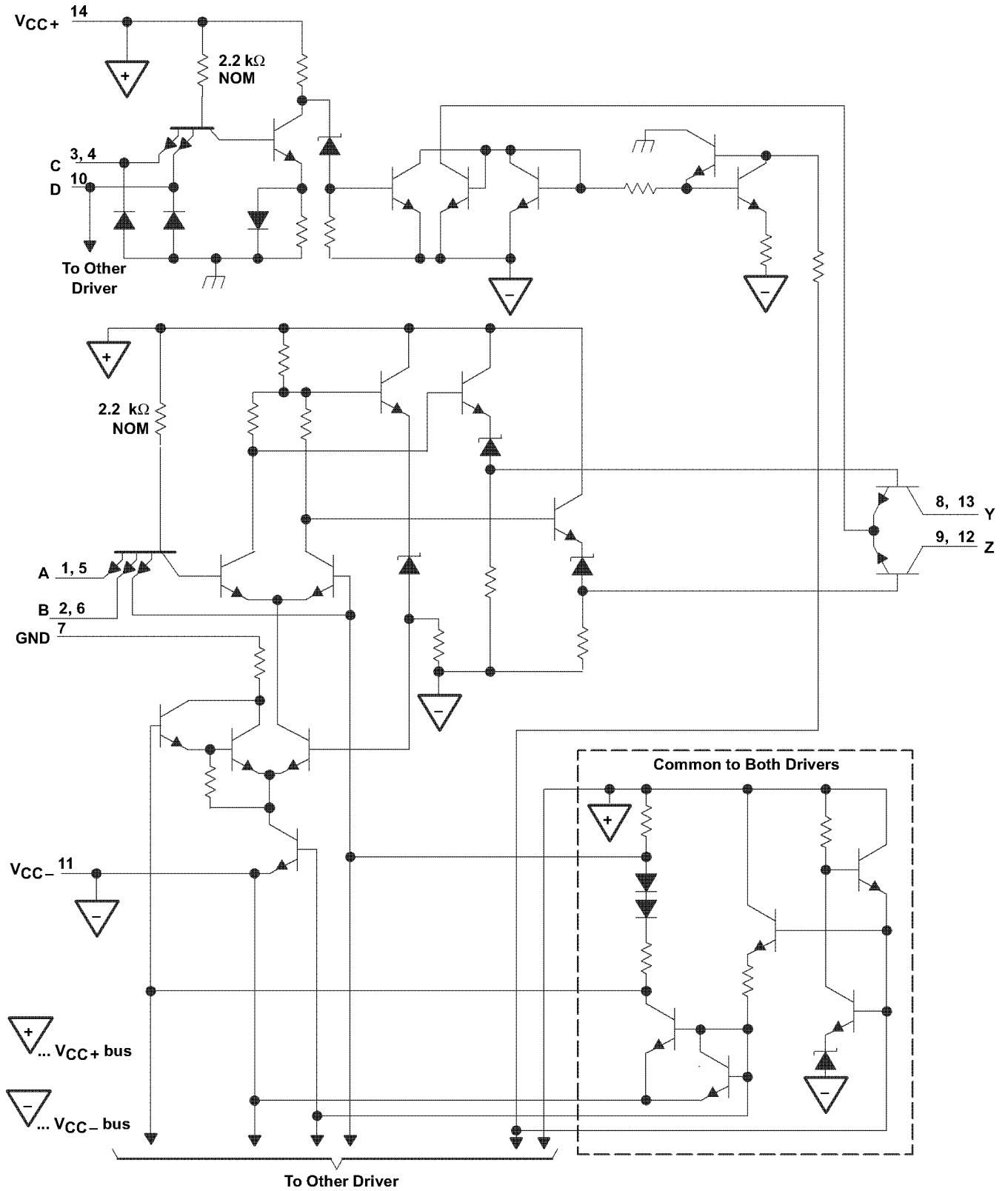
FUNCTION TABLE
(each driver)

| LOGIC INPUTS | | ENABLE INPUTS | | OUTPUTS† | |
|--------------|---|---------------|---|----------|-----|
| A | B | C | D | Y | Z |
| X | X | L | X | Off | Off |
| X | X | X | L | Off | Off |
| L | X | H | H | On | Off |
| X | L | H | H | On | Off |
| H | H | H | H | Off | On |

H = high level, L = low level, X = irrelevant

† When using only one channel of the line drivers, the other channel should be inhibited and/or have its outputs grounded.

schematic (each driver)



Pin numbers shown are for D, J, N, and W packages.

**SN55109A, SN55110A
SN75109A, SN75110A, SN75112
DUAL LINE DRIVERS**

SLLS106B – DECEMBER 1975 – REVISED MAY 1995

absolute maximum ratings over operating free-air temperature range (unless otherwise noted)†

| | SN55109A SN55110A | SN75109A SN75110A | SN75112 | UNIT | |
|--|------------------------------|----------------------|------------|------|----|
| Supply voltage, V_{CC+} (see Note 1) | 7 | 7 | 7 | V | |
| Supply voltage, V_{CC-} | -7 | -7 | -7 | V | |
| Input voltage, V_I | 5.5 | 5.5 | 5.5 | V | |
| Output voltage range, V_O | -5 to 12 | -5 to 12 | -5 to 12 | V | |
| Continuous total power dissipation (see Note 2) | See Dissipation Rating Table | | | | |
| Operating free-air temperature range, T_A | -55 to 125 | 0 to 70 | 0 to 70 | °C | |
| Storage temperature range, T_{stg} | -65 to 150 | -65 to 150 | -65 to 150 | °C | |
| Case temperature for 60 seconds: FK package | 260 | | | °C | |
| Lead temperature 1,6 mm (1/16 inch) from case for 60 seconds | J or W package | 300 | | °C | |
| Lead temperature 1,6 mm (1/16 inch) from case for 10 seconds | D or N package | | 260 | 260 | °C |

† Stresses beyond those listed under “absolute maximum ratings” may cause permanent damage to the device. These are stress ratings only, and functional operation of the device at these or any other conditions beyond those indicated under “recommended operating conditions” is not implied. Exposure to absolute-maximum-rated conditions for extended periods may affect device reliability.

NOTES: 1. Voltage values are with respect to network ground terminal.

2. In the FK, J, or W package, SN55109A and SN55110A chips are either silver glass or alloy mounted, and SN75109A, SN75110A, and SN75112 chips are glass mounted.

DISSIPATION RATING TABLE

| PACKAGE | $T_A \leq 25^\circ\text{C}$ | DERATING FACTOR | $T_A = 70^\circ\text{C}$ | $T_A = 125^\circ\text{C}$ |
|---------|-----------------------------|--------------------------------|--------------------------|---------------------------|
| | POWER RATING | ABOVE $T_A = 25^\circ\text{C}$ | POWER RATING | POWER RATING |
| D | 950 mW | 7.6 mW/°C | 608 mW | — |
| FK | 1375 mW | 11.0 mW/°C | 880 mW | 275 mW |
| J | 1375 mW | 11.0 mW/°C | 880 mW | 275 mW |
| N | 1150 mW | 9.2 mW/°C | 736 mW | — |
| W | 1000 mW | 8.0 mW/°C | 640 mW | 200 mW |

recommended operating conditions (see Note 3)

| | SN55109A SN55110A | | | SN75109A SN75110A SN75112 | | | UNIT |
|---------------------------------------|----------------------|-----|------|---------------------------------|-----|-------|------|
| | MIN | NOM | MAX | MIN | NOM | MAX | |
| Supply voltage, V_{CC+} | 4.5 | 5 | 5.5 | 4.75 | 5 | 5.25 | V |
| Supply voltage, V_{CC-} | -4.5 | -5 | -5.5 | -4.75 | -5 | -5.25 | V |
| Positive common-mode output voltage | 0 | | 10 | 0 | | 10 | V |
| Negative common-mode output voltage | 0 | | -3 | 0 | | -3 | V |
| High-level input voltage, V_{IH} | 2 | | | 2 | | | V |
| Low-level output current, V_{IL} | | | 0.8 | | | 0.8 | V |
| Operating free-air temperature, T_A | -55 | | 125 | 0 | | 70 | °C |

NOTE 3: When using only one channel of the line drivers, the other channel should be inhibited and/or have its outputs grounded.



SN55109A, SN55110A
SN75109A, SN75110A, SN75112
DUAL LINE DRIVERS

SLLS106B – DECEMBER 1975 – REVISED MAY 1995

electrical characteristics over recommended operating free-air temperature range (unless otherwise noted)

| PARAMETER | TEST CONDITIONS† | SN55109A SN75109A | | SN55110A SN75110A | | SN75112 | | UNIT | |
|---|--|----------------------|------|----------------------|------|---------|------|------|------------------|
| | | MIN | TYP‡ | MAX | MIN | TYP‡ | MAX | | MIN |
| V_{IK} Input clamp voltage | $V_{CC\pm} = \text{MIN}$, $I_L = -12 \text{ mA}$ $V_{CC\pm} = \text{MAX}$, $V_O = 10 \text{ V}$ | -0.9 | | -1.5 | -0.9 | -1.5 | -0.9 | -1.5 | V |
| $I_O(\text{on})$ On-state output current | $V_{CC} = \text{MIN to MAX}$, $V_O = -1 \text{ V to } 1 \text{ V}$, $T_A = 25^\circ\text{C}$ | 6 | | 7 | 12 | 15 | 27 | 36 | |
| | $V_{CC\pm} = \text{MIN}$, $V_O = -3 \text{ V}$ | 3.5 | 6 | | 6.5 | 12 | 18 | 27 | |
| $I_O(\text{off})$ Off-state output current | $V_{CC\pm} = \text{MIN}$, $V_O = 10 \text{ V}$ | | | 100 | | | 100 | | μA |
| | Input current at maximum input voltage | | | | | | | | |
| I_I Input current at maximum input voltage | A, B, or C inputs | | | 1 | | | 1 | | 1 mA |
| | D input | | | 2 | | | 2 | | 2 mA |
| I_{IH} High-level input current | A, B, or C inputs | | | 40 | | | 40 | | μA |
| | D input | | | 80 | | | 80 | | 80 μA |
| I_{IL} Low-level input current | A, B, or C inputs | | | -3 | | | -3 | | mA |
| | D input | | | -6 | | | -6 | | -6 mA |
| $I_{CC+}(\text{on})$ Supply current from V_{CC+} with driver enabled | $V_{CC\pm} = \text{MAX}$, A and B inputs at 0.4 V, C and D inputs at 2 V | 18 | | 30 | 23 | 35 | 25 | 40 | mA |
| $I_{CC-}(\text{on})$ Supply current from V_{CC-} with driver enabled | $V_{CC\pm} = \text{MAX}$, A, B, C, and D inputs at 0.4 V | -18 | | -30 | -34 | -50 | -65 | -100 | mA |
| $I_{CC+}(\text{off})$ Supply current from V_{CC+} with driver inhibited | $V_{CC\pm} = \text{MAX}$, A, B, C, and D inputs at 0.4 V | 18 | | | 21 | | 30 | | mA |
| | Supply current from $V_{CC\pm}$ with driver inhibited | | | -10 | | | -32 | | -32 mA |

† For conditions shown as MIN or MAX, use appropriate value specified under recommended operating conditions.

‡ All typical values are at $V_{CC+} = 5 \text{ V}$, $V_{CC-} = -5 \text{ V}$, $T_A = 25^\circ\text{C}$.



SN55109A, SN55110A SN75109A, SN75110A, SN75112 DUAL LINE DRIVERS

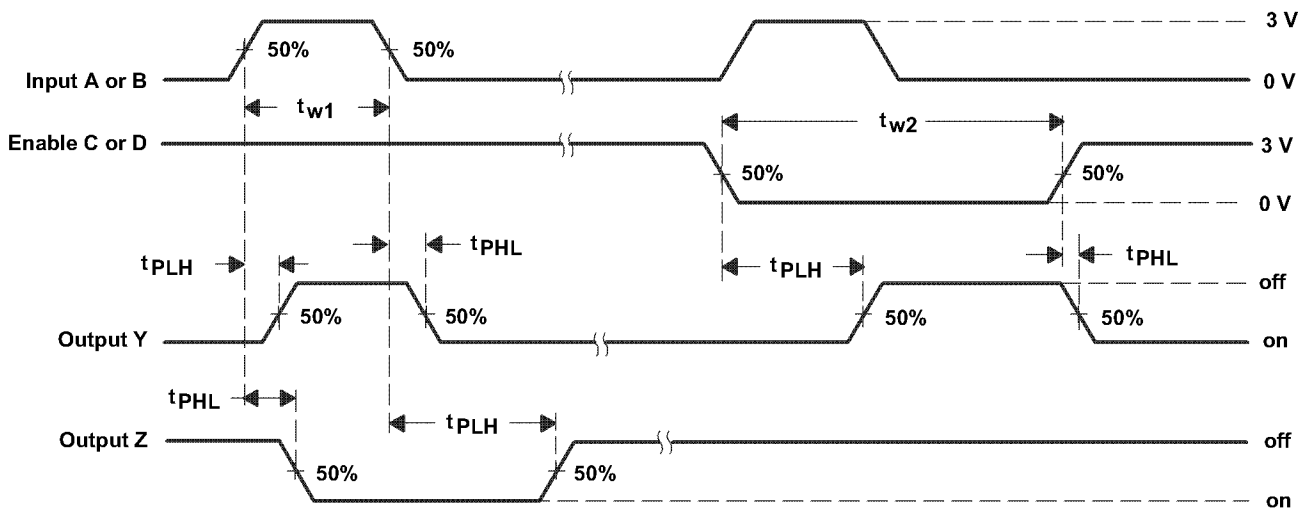
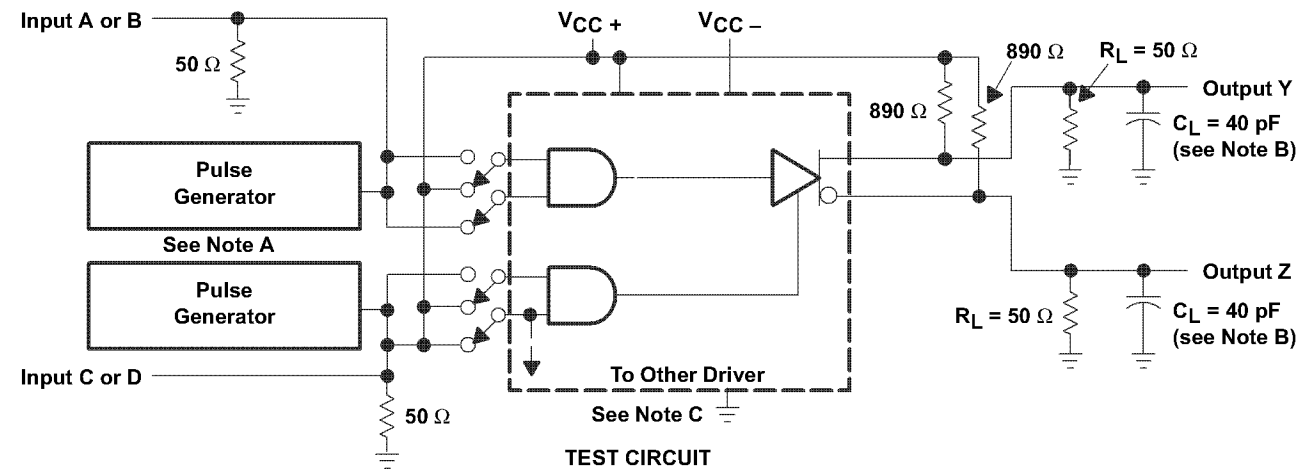
SLLS106B – DECEMBER 1975 – REVISED MAY 1995

switching characteristics, $V_{CC\pm} = \pm 5\text{ V}$, $T_A = 25^\circ\text{C}$

| PARAMETER† | FROM (INPUT) | TO (OUTPUT) | TEST CONDITIONS | MIN | TYP | MAX | UNIT |
|------------|--------------|-------------|--|-----|-----|-----|------|
| t_{PLH} | A or B | Y or Z | $C_L = 40\text{ pF}$, $R_L = 50\ \Omega$, See Figure 1 | | 9 | 15 | ns |
| t_{PHL} | | | | | 9 | 15 | ns |
| t_{PLH} | C or D | Y or Z | | | 16 | 25 | ns |
| t_{PHL} | | | | | 13 | 25 | ns |

† t_{PLH} = Propagation delay time, low-to-high-level output
 t_{PHL} = Propagation delay time, high-to-low-level output

PARAMETER MEASUREMENT INFORMATION



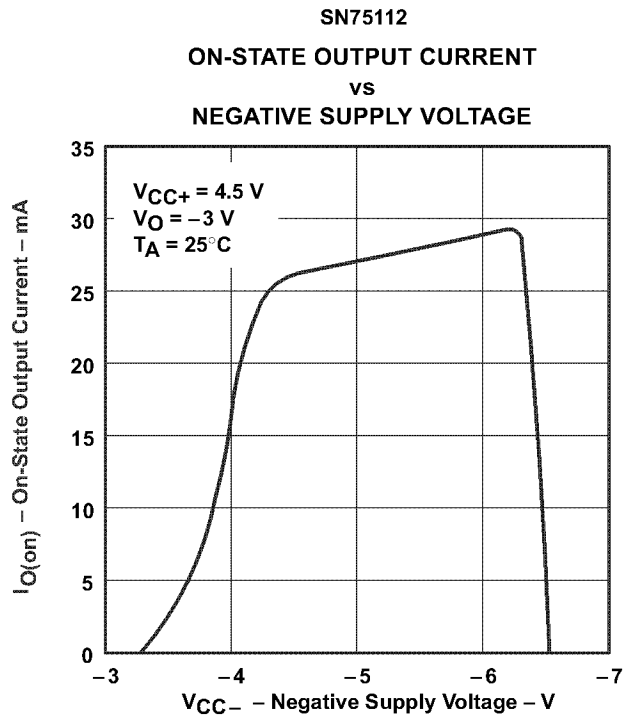
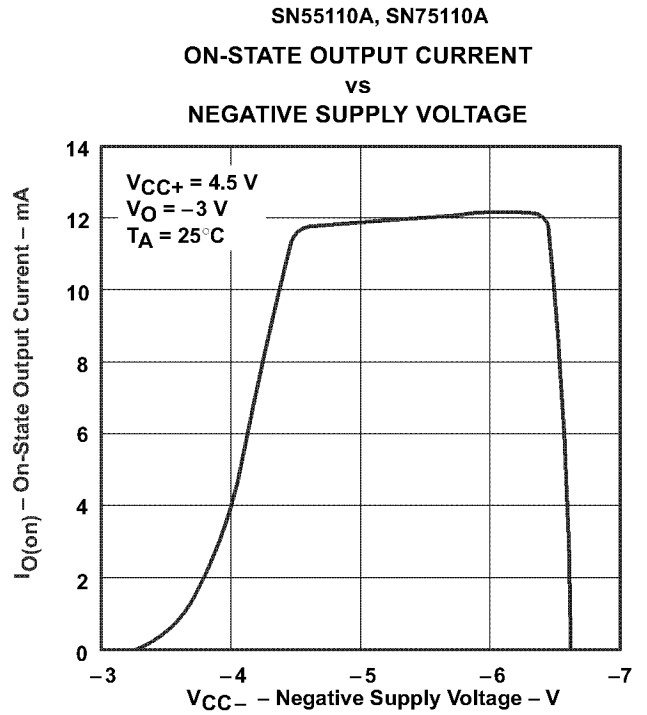
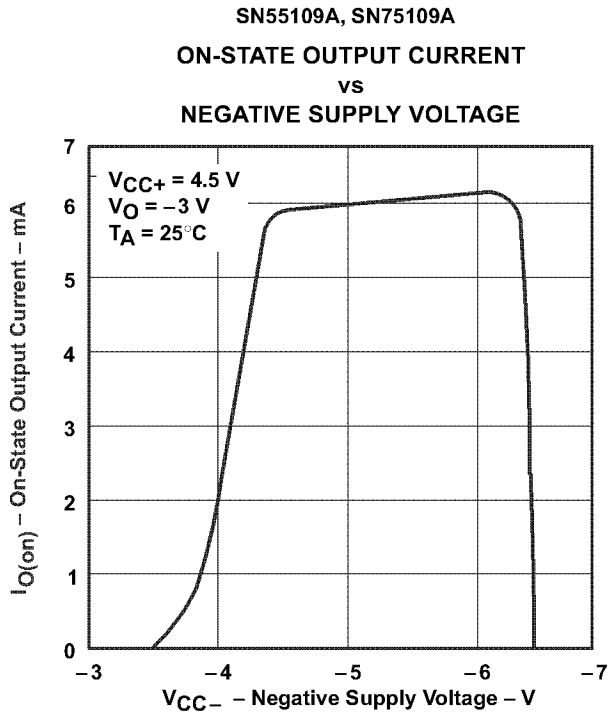
VOLTAGE WAVEFORMS

- NOTES: A. The pulse generators have the following characteristics: $Z_O = 50\ \Omega$, $t_r = t_f = 10 \pm 5\text{ ns}$, $t_{w1} = 500\text{ ns}$, $\text{PRR} \leq 1\text{ MHz}$, $t_{w2} = 1\ \mu\text{s}$, $\text{PRR} \leq 500\text{ kHz}$.
 B. C_L includes probe and jig capacitance.
 C. For simplicity, only one channel and the enable connections are shown.

Figure 1. Test Circuit and Voltage Waveforms



TYPICAL CHARACTERISTICS



**SN55109A, SN55110A
SN75109A, SN75110A, SN75112
DUAL LINE DRIVERS**

SLLS106B – DECEMBER 1975 – REVISED MAY 1995

APPLICATION INFORMATION

special pulse-control circuit

Figure 5 shows a circuit that may be used as a pulse generator output or in many other testing applications.

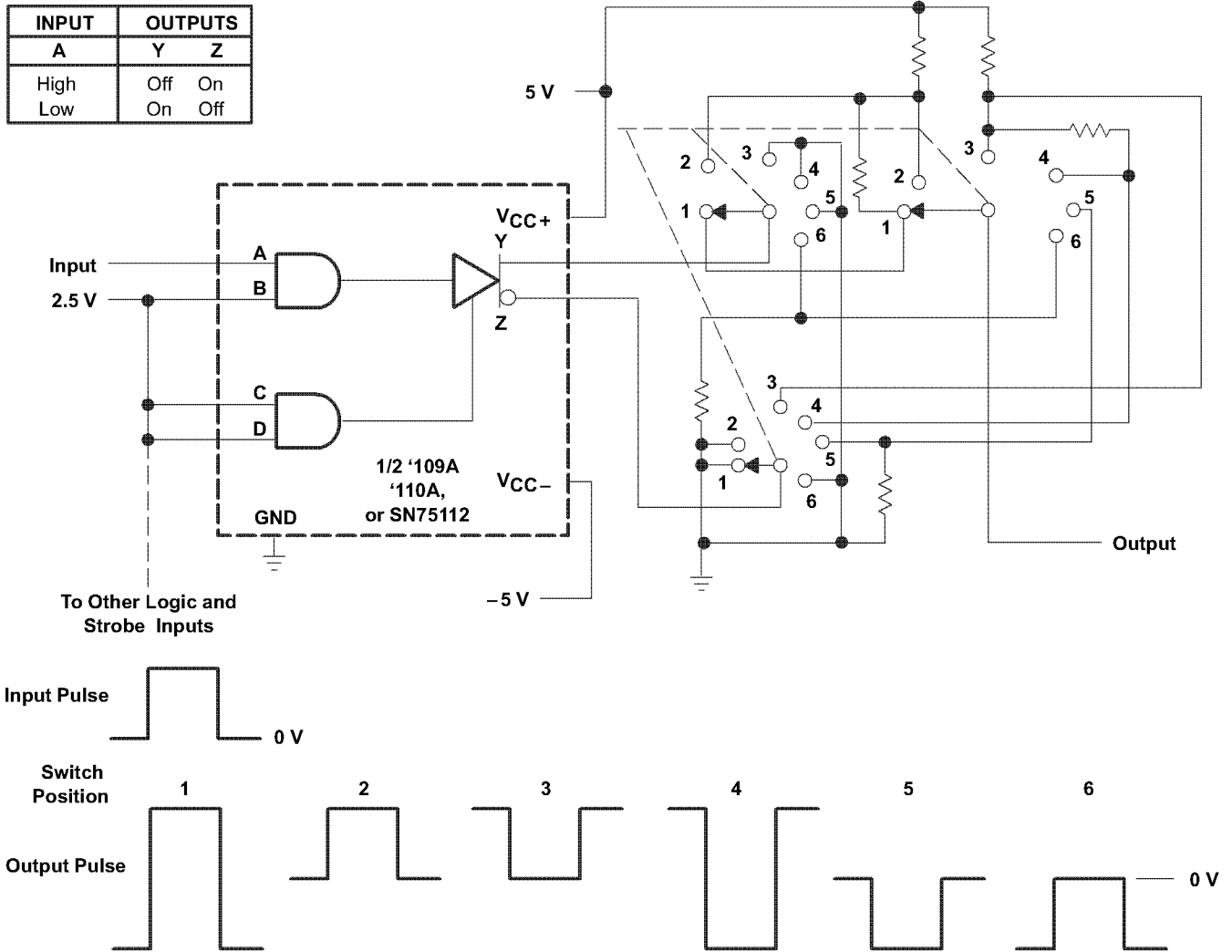


Figure 5. Pulse-Control Circuit

APPLICATION INFORMATION

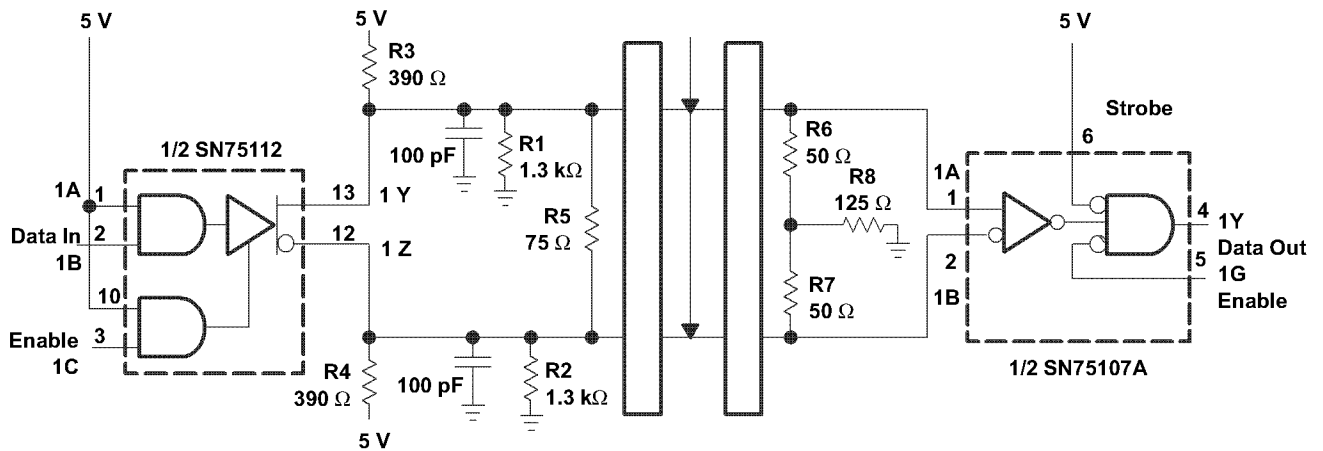
using the SN75112 as a CCITT recommended V.35 line driver

The SN75112 dual line driver, the SN75107A dual line receiver, and some external resistors can be used to implement the data interchange circuit of CCITT recommendation V.35 (1976) modem specification. The circuit of one channel is shown in Figure 1 and meets the requirement of the interface as specified by Appendix 11 of CCITT V.35 and summarized in Table 1 (V.35 has been replaced by ITU V.11).

Table 1. CCITT V.35 Electrical Requirements

| | MIN | MAX | UNIT |
|---------------------------------------|-------|---------------------------|----------|
| GENERATOR | | | |
| Source impedance, Z_{source} | 50 | 150 | Ω |
| Resistance to ground, R | 135 | 165 | Ω |
| Differential output voltage, V_{OD} | 440 | 660 | mV |
| 10% to 90% rise time, t_r | 40 | | ns |
| or | | $0.01 \times u_i \dagger$ | |
| Common-mode output voltage, V_{OC} | - 0.6 | 0.6 | V |
| LOAD (RECEIVER) | | | |
| Input impedance, Z_I | 90 | 110 | Ω |
| Resistance to ground, R | 135 | 165 | Ω |

$\dagger u_i$ = unit interval or minimum signal element pulse width



All resistors are 5%, 1/4 W.

Figure 6. CCITT Recommended V.35 Interface Using the SN75112 and SN75107A

IMPORTANT NOTICE

Texas Instruments (TI) reserves the right to make changes to its products or to discontinue any semiconductor product or service without notice, and advises its customers to obtain the latest version of relevant information to verify, before placing orders, that the information being relied on is current and complete.

TI warrants performance of its semiconductor products and related software to the specifications applicable at the time of sale in accordance with TI's standard warranty. Testing and other quality control techniques are utilized to the extent TI deems necessary to support this warranty. Specific testing of all parameters of each device is not necessarily performed, except those mandated by government requirements.

Certain applications using semiconductor products may involve potential risks of death, personal injury, or severe property or environmental damage ("Critical Applications").

TI SEMICONDUCTOR PRODUCTS ARE NOT DESIGNED, INTENDED, AUTHORIZED, OR WARRANTED TO BE SUITABLE FOR USE IN LIFE-SUPPORT APPLICATIONS, DEVICES OR SYSTEMS OR OTHER CRITICAL APPLICATIONS.

Inclusion of TI products in such applications is understood to be fully at the risk of the customer. Use of TI products in such applications requires the written approval of an appropriate TI officer. Questions concerning potential risk applications should be directed to TI through a local SC sales office.

In order to minimize risks associated with the customer's applications, adequate design and operating safeguards should be provided by the customer to minimize inherent or procedural hazards.

TI assumes no liability for applications assistance, customer product design, software performance, or infringement of patents or services described herein. Nor does TI warrant or represent that any license, either express or implied, is granted under any patent right, copyright, mask work right, or other intellectual property right of TI covering or relating to any combination, machine, or process in which such semiconductor products or services might be or are used.