

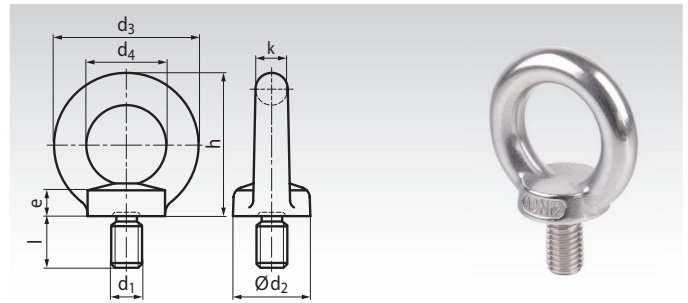
## Ring Bolts, Stainless Steel, cast version

**Material:** Stainless Steel A2 and Stainless Steel A4.  
Cast version, polished.



- Cost-effective version for many fastening applications, for example in household and garden for light tensioning.
- Not permitted as lifting device or in safety-relevant areas.

Temperature range: -20°C to +200°C.



Ordering Details: e.g.: Product No. 654 583 06, Ring Bolt, cast version, M6, A2

Product No. Stainless A2	Product No. Stainless A4	d <sub>1</sub> mm	d <sub>2</sub> ≈ mm	d <sub>3</sub> ≈ mm	d <sub>4</sub> ≈ mm	e ≈ mm	h ≈ mm	k ≈ mm	l mm	Weight kg
654 583 06	654 585 06	M6	16	28	16	6	28	6	11	0,05
654 583 08	654 585 08	M8	20	36	20	6	33	8	13	0,06
654 583 10	654 585 10	M10	25	45	25	8	42	10	17	0,11
654 583 12	654 585 12	M12	30	54	30	10	51	12	20,5	0,18
654 583 16	654 585 16	M16	35	63	35	12	60	14	27	0,28
654 583 20	654 585 20	M20	40	72	40	14	69	16	30	0,45
654 583 24	654 585 24	M24	50	90	50	18	87	20	36	0,74

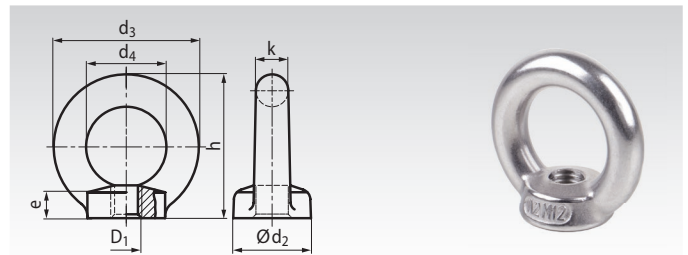
## Ring Nuts, Stainless Steel, cast version

**Material:** Stainless Steel A2 and Stainless Steel A4.  
Cast version, polished.



- Cost-effective version for many fastening applications, for example in household and garden for light tensioning.
- Not permitted as lifting device or in safety-relevant areas.

Temperature range: -20°C to +200°C.



Ordering Details: e.g.: Product No. 654 589 06, Ring Nut, cast version, M6, A2

Product No. Stainless A2	Product No. Stainless A4	D <sub>1</sub> mm	d <sub>2</sub> ≈ mm	d <sub>3</sub> ≈ mm	d <sub>4</sub> ≈ mm	e ≈ mm	h ≈ mm	k ≈ mm	Weight kg
654 589 06	654 591 06	M6	16	28	16	6	28	6	0,04
654 589 08	654 591 08	M8	20	36	20	6	33	8	0,05
654 589 10	654 591 10	M10	25	45	25	10	42	10	0,09
654 589 12	654 591 12	M12	30	54	30	11	51	12	0,16
654 589 16	654 591 16	M16	35	63	35	13	60	14	0,24
654 589 20	654 591 20	M20	40	72	40	16	69	16	0,36
654 589 24	654 591 24	M24	50	90	50	20	87	20	0,72
654 589 30	-	M30	65	108	60	25	105	24	1,32

### Note

These ring bolts and ring nuts are not according to DIN 580 / DIN 582. The load capacity is not like DIN. So, these parts may only be used for light loads in responsibility of the customer, and never for safety-relevant applications. Depending on the casting company, these parts are marked with the size of thread and / or the manufacturer symbol.



Loctite thread locking and bonding products page 1034.