



Pushing Performance

# HARTING Product Change Notification

PCN

**Business Unit:** HARTING Electric GmbH & Co. KG

**PCN/ 0037**

**Product range:** Han-Modular®

Date: 20141020

**Author:** Alexander Abke

**Title:** Han® GigaBit Module

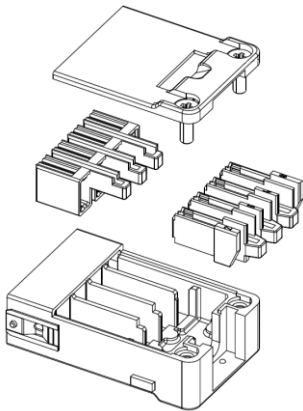
## Details of Product Changes

### 1. Concerned part numbers (see also attachment):

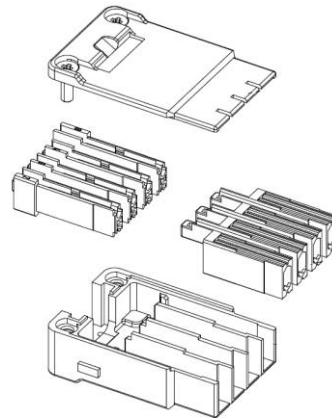
Han® GigaBit Contact Carrier, male (09 14 008 3011)  
Han® GigaBit Contact Carrier, female (09 14 008 3111)

### 2. Description of changes / news:

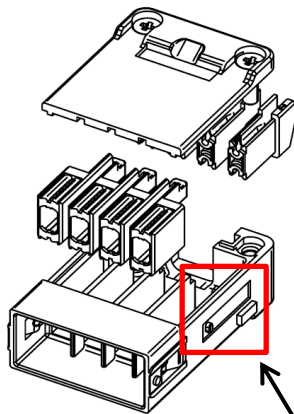
**09 14 008 3011 (old version)**



**09 14 008 3111 (old version)**

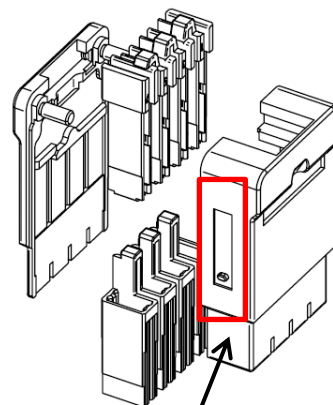


**09 14 008 3011 (new version)**



Additional rivet point

**09 14 008 3111 (new version)**



Additional rivet point



Pushing Performance

# HARTING Product Change Notification

PCN

In the future HARTING will offer a new Han<sup>®</sup> GigaBit module with additional shield connection to the hinged frame (part no. 09 14 008 3012 / 09 14 008 3112).

To realise the shielded connection a rivet point is needed to fix the shield connection to the module (please see pictures above).

Both versions of the Han<sup>®</sup> GigaBit module will use the new metal contact carrier with the additional rivet point.

09 14 008 3011 / 09 14 008 3111 → modified contact carrier (without shield connection)

09 14 008 3012 / 09 14 008 3112 → modified contact carrier (with shield connection)

### 3. Impact on product specification:

None, 100 % compatible to the old version

### 4. Scheduled date of implementation:

2014-09-18

### 5. Identification of change:

The part numbers remain unaffected.

The revision level of the Han<sup>®</sup> GigaBit Contact Carrier, male (09 14 008 3011) has been changed from 00 to 01.

The revision level of the Han<sup>®</sup> GigaBit Contact Carrier, female (09 14 008 3111) has been changed from 00 to 01.

### 6. Data sheet (optional):

[09 14 008 3011](#)

[09 14 008 3111](#)