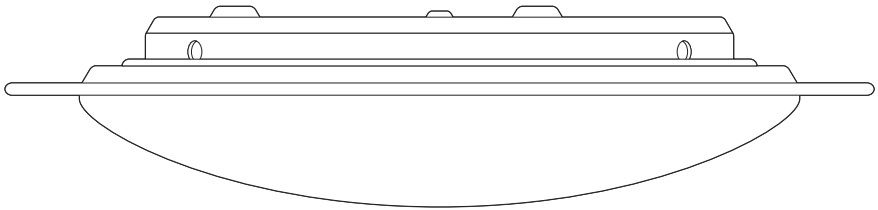


---

**ORBIS TRAY SPARKLE**


---




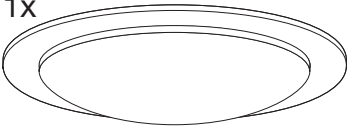
	EAN	W	lm	K	$\theta_{\text{beam}}$ (°C)	V~	mA	Hz	PF
<b>ORBIS TRAY SPARKLE 420</b>	4058075266032	24	1350	2700-6500	-20...+40	220-240	200	50/60	>0.5
<b>ORBIS TRAY SPARKLE 580</b>	4058075227545	35	2000	2700-6500	-20...+40	220-240	160	50/60	>0.9


# ORBIS TRAY SPARKLE



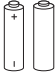


420 mm  1.2 kg

580 mm  2.2 kg

1x 

1x 

3x  3x  2x 

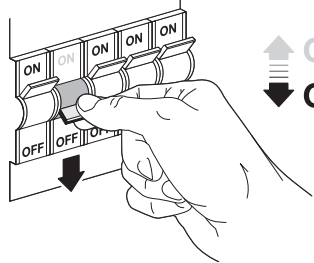

mm

105/135

ø 420/580

mm

1



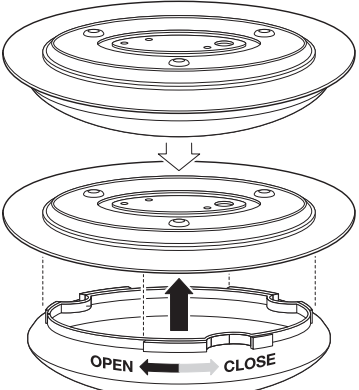
ON OFF ON OFF ON OFF

ON

OFF

mm

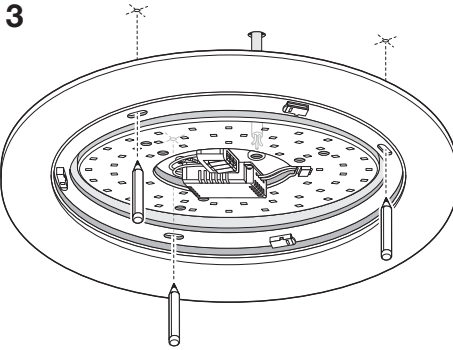
2



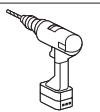
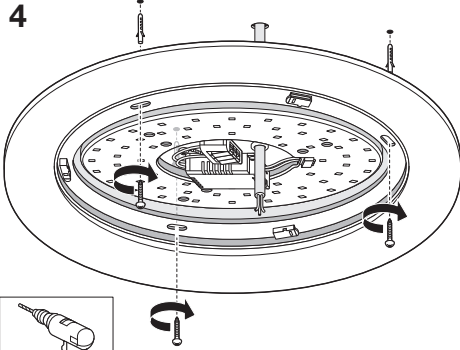
OPEN

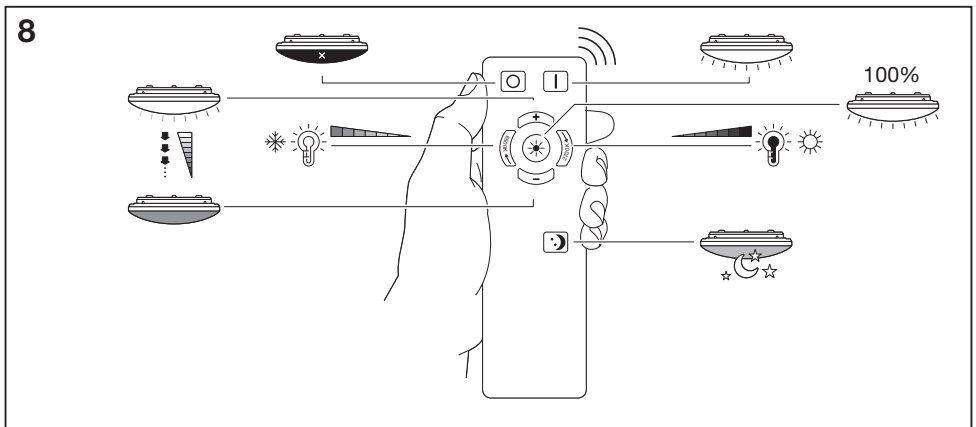
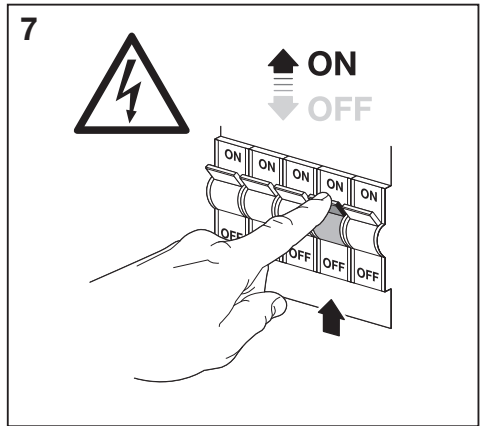
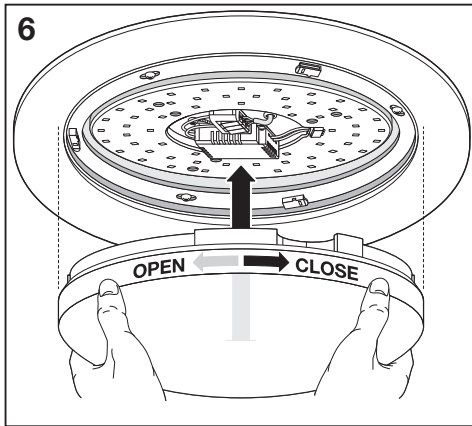
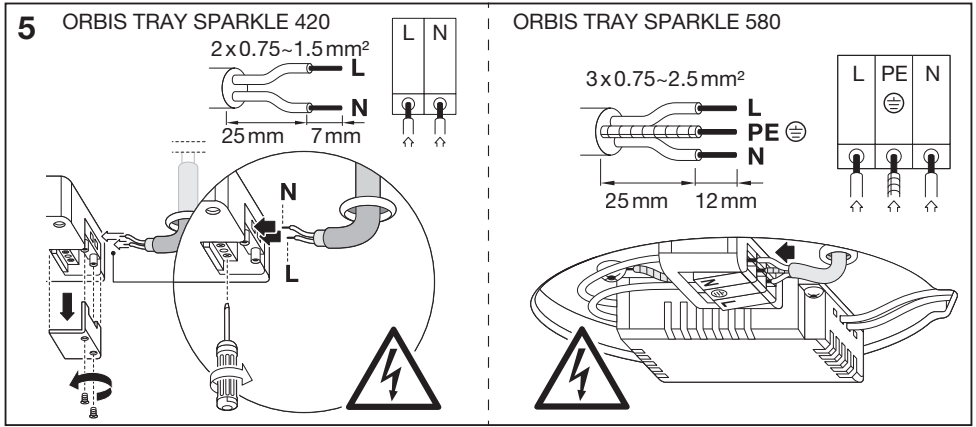
CLOSE

3



4





ORBIS TRAY  
SPARKLE

580



ORBIS TRAY  
SPARKLE

420



RoHS



C10449057  
G11064186  
18.03.2019



LEDVANCE GmbH  
Steinerne Furt 62  
86167 Augsburg, Germany  
[www.ledvance.com](http://www.ledvance.com)