

## HBO R 103 W/45

HBO Mercury short-arc lamps with reflector 100 W | Mercury short-arc lamps with reflector 100 W



### Product family benefits

- High radiance
- High radiant power in the UV and the visible range

### Product family features

- Multi-line spectrum



# Product datasheet

## Technical data

### Electrical data

Type of current	DC
Rated wattage	100.00 W
Nominal wattage	100.00 W

### Photometrical data

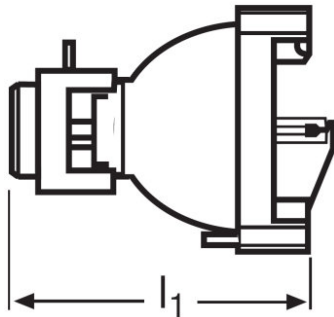
Radiated power 315...400 nm (UVA)	3.8 / 5.0 W <sup>1)</sup>
-----------------------------------	---------------------------

<sup>1)</sup> Aperture 3 mm round / Aperture 5 mm round

### Light technical data

Focal length	45.0 mm
--------------	---------

### Dimensions & weight



Diameter	68.0 mm
Length with base excl. base pins/connection	77.00 mm

### Lifespan

Lifespan	300 h
----------	-------

### Additional product data

Base anode (standard designation)	Pin
Base cathode (standard designation)	Pin

### Capabilities

Burning position	p20
Application	Other

## Product datasheet

### Environmental information

Information according Art. 33 of EU Regulation (EC) 1907/2006 (REACH)	
Date of Declaration	01-01-2022
Primary Article Identifier	4050300405957
Candidate List Substance 1	Lead
CAS No. of substance 1	7439-92-1
Safe Use Instruction	The identification of the Candidate List substance is sufficient to allow safe use of the article.
Declaration No. in SCIP database	cce3d02b-c5cd-4be4-8e72-a79d159780b6

### Country specific information

Product code	METEL code	SEG-No.	STK-Number	UK Org
4050300405957	OSRHBOR10345	-	-	-
4050300405957	OSRHBOR10345	-	-	-

## Product datasheet

---

### Safety advice

Because of their high luminance, UV radiation and high internal pressure (when hot) HBO lamps may only be operated in enclosed lamp casings specially constructed for the purpose. Mercury is released if the lamp breaks. Special safety precautions must be taken. More information is available on request or can be found in the leaflet included with the lamp or in the operating instructions.

---

### Logistical Data

Product code	Product description	Packaging unit (Pieces/Unit)	Dimensions (length x width x height)	Volume	Gross weight
4050300405957	HBO R 103 W/45	Folding carton box 1	87 mm x 87 mm x 103 mm	0.78 dm <sup>3</sup>	183.00 g
4050300147093	HBO R 103 W/45	Shipping carton box 2	186 mm x 120 mm x 98 mm	2.19 dm <sup>3</sup>	362.00 g

---

The mentioned product code describes the smallest quantity unit which can be ordered. One shipping unit can contain one or more single products. When placing an order, for the quantity please enter single or multiples of a shipping unit.

---

### References / Links

Further technical information on HBO lamps and information for manufacturers of operating equipment can be requested directly from OSRAM.

---

### Disclaimer

Subject to change without notice. Errors and omission excepted. Always make sure to use the most recent release.

---