

|                   |                          |  |
|-------------------|--------------------------|--|
| U.I. Lapp<br>GmbH | <b>DATASHEET</b>         |  |
|                   | <b>EPIC® H-B 24 SGRL</b> | <b>10105000</b><br><b>14.11.2013</b>   |

Housing design H-B. The industry standard.  
Ideal for many applications due to a wide range of housings and inserts



Automation



Industrial machinery and plant engineering



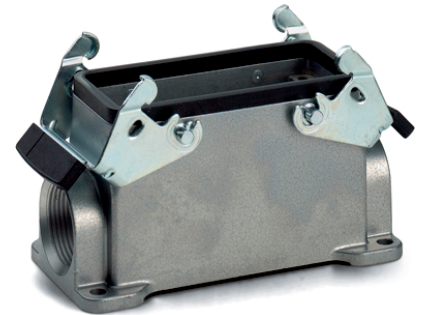
Mechanical resistance



Robust



Waterproof



#### Info

Universal, robust metal housings size H-B 24

#### Application range

Plant engineering  
Light & sound technology  
Plastics industry

#### Product features

Surface-mount base, low version  
Dual levers  
2 cable entries

#### Remark

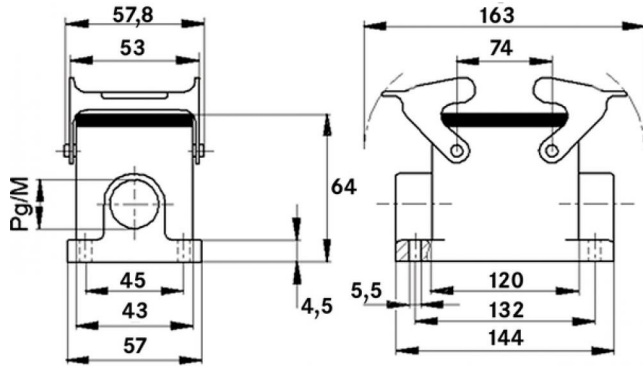
Photographs are not to scale and do not represent detailed images of the respective products.

#### Technical Data

|                    |  |
|--------------------|--|
| Article:           | H-B 24 SGRL 21   |
| PG:                | 21   |
| Pieces / PU:       | 5  |
| Material:          | Housing: powder-coated aluminium alloy, grey<br>Lever: zinc-plated steel<br>Sealing: NBR |
| Protection rating: | IP 65 (latched)  |
| Temperature range: | -40 °C to +100 °C, short-term up to +125 °C  |

|                    |                             |       |
|--------------------|-----------------------------|-------|
| Product Management | Document: EPIC® H-B 24 SGRL | 1 / 2 |
|--------------------|-----------------------------|-------|

|                   |                          |  |
|-------------------|--------------------------|--|
| U.I. Lapp<br>GmbH | <h1>DATASHEET</h1>       |  <b>LAPP GROUP</b> |
|                   | <b>EPIC® H-B 24 SGRL</b> | 10105000<br>14.11.2013   |



|                    |                             |       |
|--------------------|-----------------------------|-------|
| Product Management | Document: EPIC® H-B 24 SGRL | 2 / 2 |
|--------------------|-----------------------------|-------|