

175778-3 ✓ ACTIVE



## AMP CT

TE Internal #: 175778-3

Housing, Receptacle, Wire-to-Board, 3 Position, 2mm [.078in]  
Centerline, Crimp, 1 Row, Natural Housing Color, Mating  
Retention, Wire & Cable

[View on TE.com >](#)

Connectors > PCB Connectors > Wire-to-Board Connectors > Wire-to-Board Connector Assemblies & Housings >

AMP COMMON TERMINATION HOUSINGS



Connector Product Type: **Housing**

Connector & Housing Type: **Receptacle**

Connector System: **Wire-to-Board**

Number of Positions: **3**

Centerline (Pitch): **2 mm [.078 in]**

[All AMP COMMON TERMINATION HOUSINGS \(149\)](#)

## Features

### Product Type Features

Connector Product Type	Housing
Connector & Housing Type	Receptacle
Connector System	Wire-to-Board
Sealable	No
Connector & Contact Terminates To	Wire & Cable

### Configuration Features

Number of Positions	3
Number of Rows	1

### Electrical Characteristics

Operating Voltage	125 VAC
-------------------	---------

### Contact Features

--	--



Contact Layout	Inline
----------------	--------

### Termination Features

Termination Method to Wire & Cable	Crimp
------------------------------------	-------

### Mechanical Attachment

Mating Retention	With
------------------	------

Connector Mounting Type	Cable Mount (Free-Hanging)
-------------------------	----------------------------

### Housing Features

Housing Material	66Nylon
------------------	---------

Centerline (Pitch)	2 mm [.078 in]
--------------------	----------------

Housing Color	Natural
---------------	---------

### Dimensions

Connector Length	8 mm [.315 in]
------------------	----------------

Connector Height	4 mm [.157 in]
------------------	----------------

Connector Width	5.1 mm [.2 in]
-----------------	----------------

### Usage Conditions

Operating Temperature Range	-30 – 105 °C [-22 – 221 °F]
-----------------------------	-----------------------------

### Operation/Application

Circuit Application	Power & Signal
---------------------	----------------

### Industry Standards

Approved Standards	UL
--------------------	----

UL Flammability Rating	UL 94V-0
------------------------	----------

UL File Number	E28476
----------------	--------

UL Rating	Recognized
-----------	------------

Agency/Standard	UL
-----------------	----

### Product Compliance

[For compliance documentation, visit the product page on TE.com>](#)

EU RoHS Directive 2011/65/EU	Compliant
------------------------------	-----------

EU ELV Directive 2000/53/EC	Compliant
-----------------------------	-----------

China RoHS 2 Directive MIIT Order No 32, 2016	No Restricted Materials Above Threshold
---	---

EU REACH Regulation (EC) No. 1907/2006	Current ECHA Candidate List: JAN 2021 (211)
--	---



Candidate List Declared Against: JAN 2021 (211)

Does not contain REACH SVHC

Halogen Content	Low Halogen - Br, Cl, F, I < 900 ppm per homogenous material. Also BFR/CFR/PVC Free
Solder Process Capability	Not applicable for solder process capability

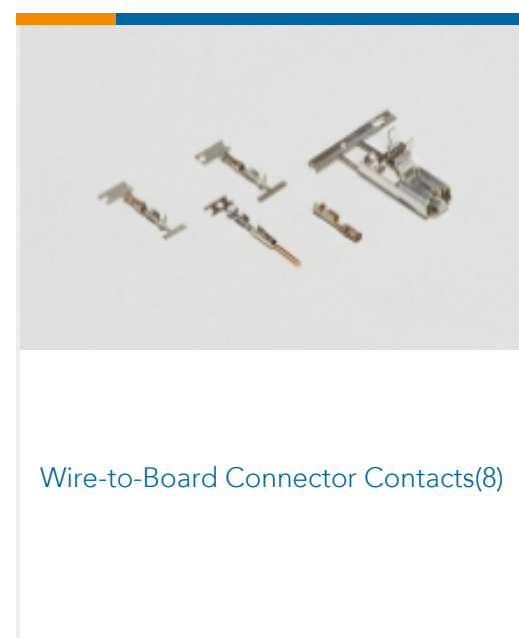
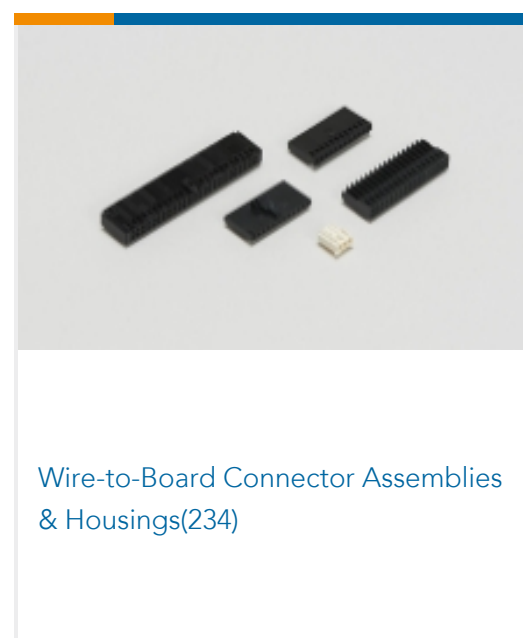
Product Compliance Disclaimer

This information is provided based on reasonable inquiry of our suppliers and represents our current actual knowledge based on the information they provided. This information is subject to change. The part numbers that TE has identified as EU RoHS compliant have a maximum concentration of 0.1% by weight in homogenous materials for lead, hexavalent chromium, mercury, PBB, PBDE, DBP, BBP, DEHP, DIBP, and 0.01% for cadmium, or qualify for an exemption to these limits as defined in the Annexes of Directive 2011/65/EU (RoHS2). Finished electrical and electronic equipment products will be CE marked as required by Directive 2011/65/EU. Components may not be CE marked. Additionally, the part numbers that TE has identified as EU ELV compliant have a maximum concentration of 0.1% by weight in homogenous materials for lead, hexavalent chromium, and mercury, and 0.01% for cadmium, or qualify for an exemption to these limits as defined in the Annexes of Directive 2000/53/EC (ELV). Regarding the REACH Regulation, the information TE provides on SVHC in articles for this part number is based on the latest European Chemicals Agency (ECHA) 'Guidance on requirements for substances in articles' posted at this URL: <https://echa.europa.eu/guidance-documents/guidance-on-reach>

### Compatible Parts



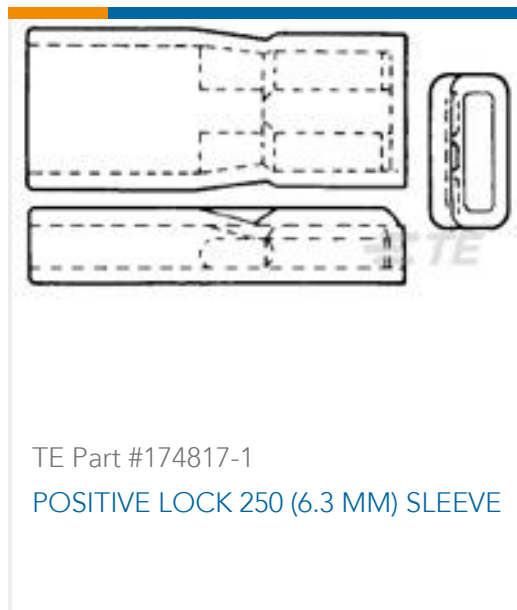
### Also in the Series | AMP CT



### Customers Also Bought



TE Part #1-770835-0  
MINI UMNL PIN AU LF



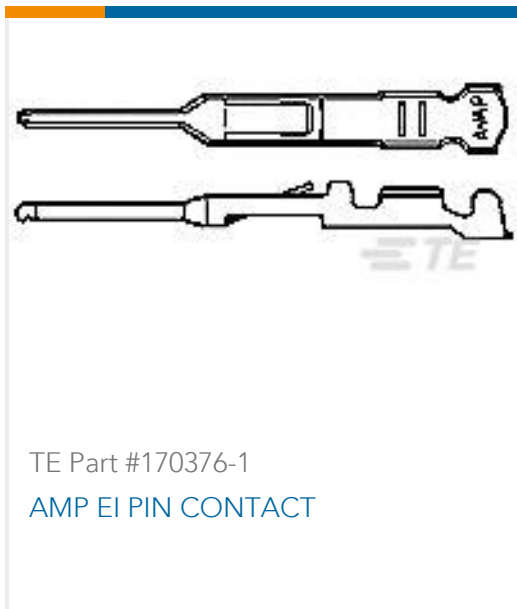
TE Part #174817-1  
POSITIVE LOCK 250 (6.3 MM) SLEEVE



TE Part #160102-2  
RING TONGUE WITH IS 20-16 0.0253  
TPBR



TE Part #170359-3  
MINI UNIVERSAL M-N-L PIN



TE Part #170376-1  
AMP EI PIN CONTACT



TE Part #170263-1  
EIS CONTACT



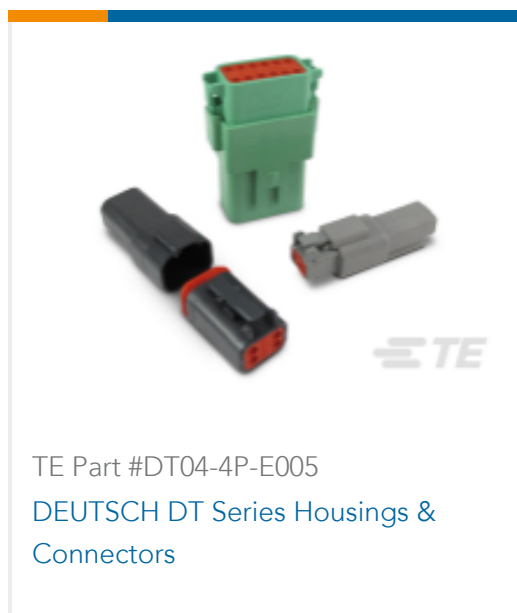
TE Part #170043-2  
110 FASTON, REC., 24-20 AWG, TPBR



TE Part #170183-2  
250 FASTON, REC., 22-18 AWG, TPBR



TE Part #1-794615-2  
PANEL MT DBL ROW HSG 12 POS



TE Part #DT04-4P-E005  
DEUTSCH DT Series Housings &  
Connectors

## Documents

### Product Drawings

[CT.CRIMP REC HSG 3P](#)

English

### CAD Files

[3D PDF](#)

English

**Customer View Model**

[ENG\\_CVM\\_175778-3\\_D1.2d\\_dxf.zip](#)

English

**Customer View Model**

[ENG\\_CVM\\_175778-3\\_D1.3d\\_igs.zip](#)

English

**Customer View Model**

[ENG\\_CVM\\_175778-3\\_D1.3d\\_stp.zip](#)

English

By downloading the CAD file I accept and agree to the [Terms and Conditions](#) of use.

## Product Specifications



**Application Specification**

English

**Crimping AMP 2.0mm Pitch CT Receptacle Contact**

English

---

**Product Environmental Compliance**

**TE Material Declaration**

English

---

**Agency Approvals**

**CSA Certificate**

English