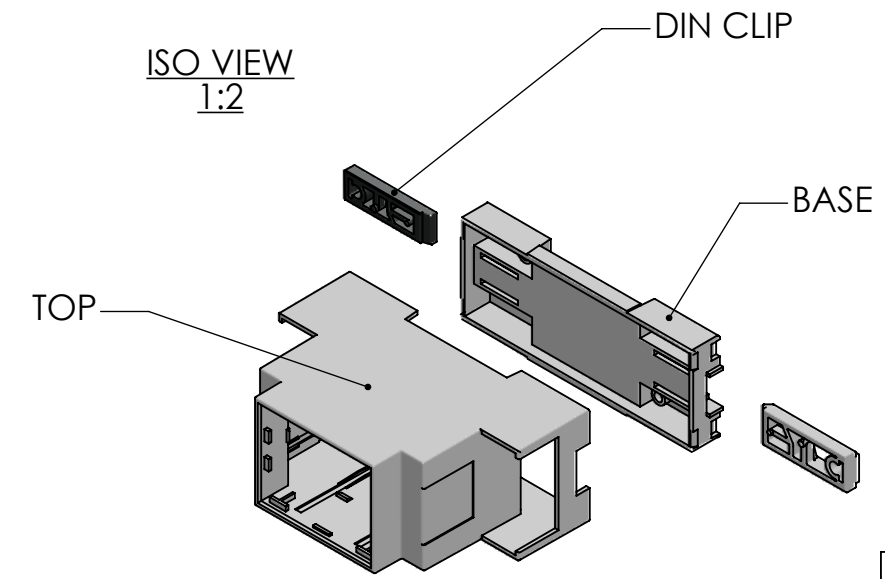
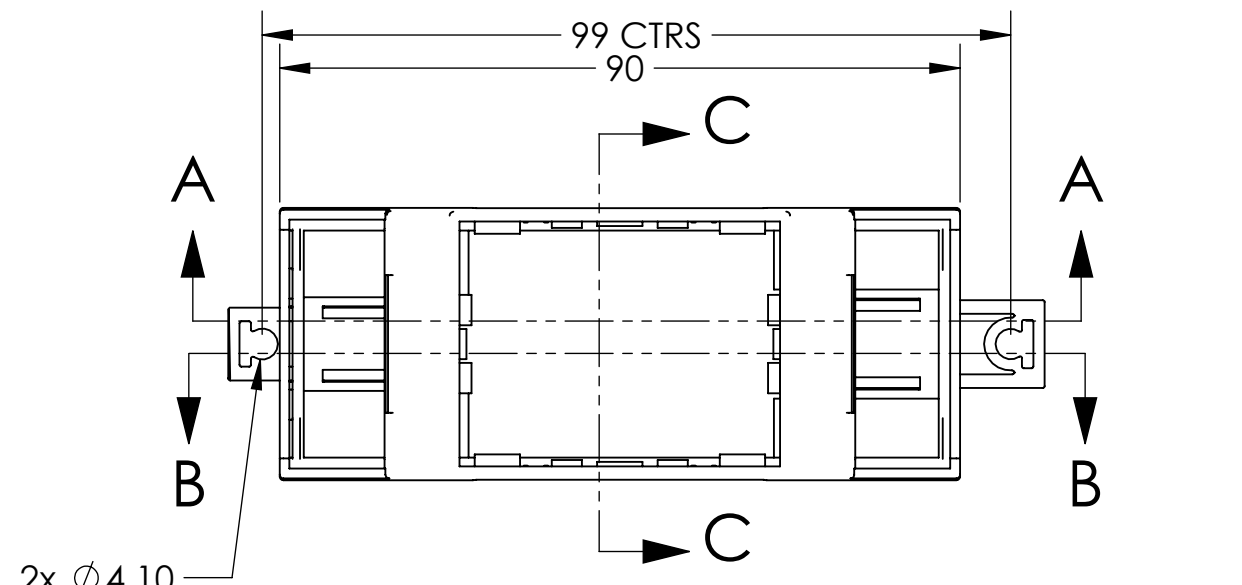


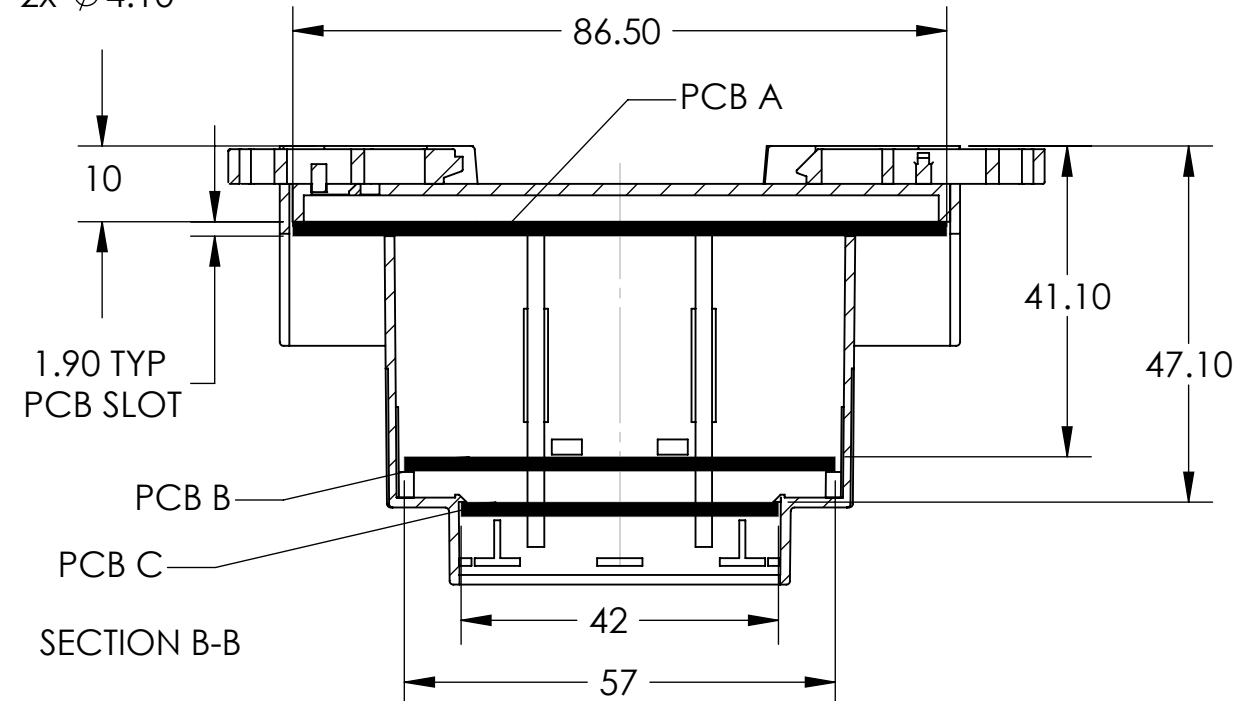
SECTION A-A



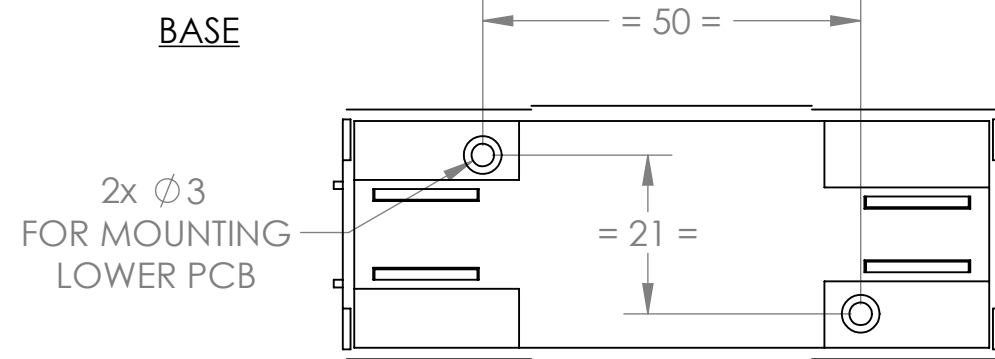
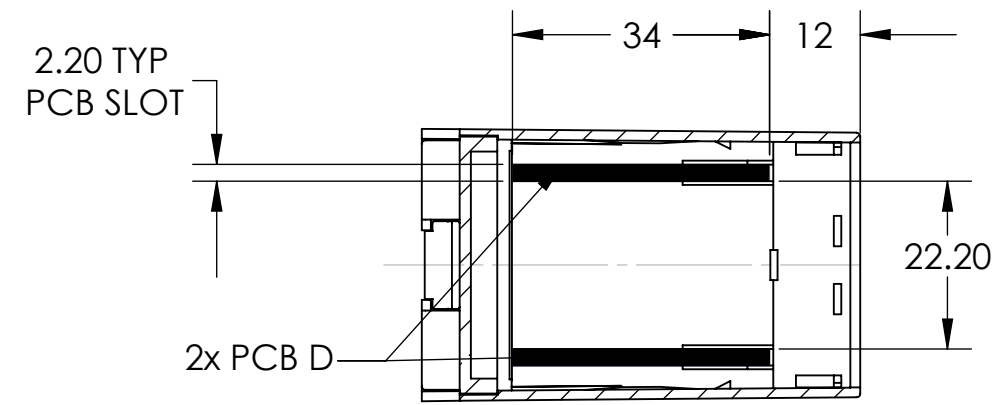
PCB DIMENSIONS (mm)	
A	86.5 x 33
B	57 x 32
C	42 x 32
D	34 x 59.6
E	40 x 33



SECTION C-C



SECTION B-B



<p><b>CAMDENBOSS</b></p> <p>JAMES CARTER RD, MILDENHALL, SUFFOLK, IP28 7DE          TEL: 01638 716101 FAX: 01638 716554          EMAIL: Sales@CamdenBoss.com          WEB: www.CamdenBoss.com</p>		UNLESS OTHERWISE SPECIFIED: DIMENSIONS ARE IN MILLIMETERS		DO NOT SCALE DRAWING	REVISION: 0
		FINISH: <b>SMOOTH</b>	TITLE: <b>GNL ASSY DGR FOR CNMB SERIES</b>		
DRAWN: M.WALLACE	SIGNATURE: MJW	DATE: 07/10/10	MATERIAL: <b>UV94-VO PC</b>	DWG NO. <b>CNMB-2W-2</b>	A3
CHK'D: L.SUBKHANKULOVA	LS	07/10/10	PROJECTION: 	SCALE:1:1	SHEET 1 OF 1