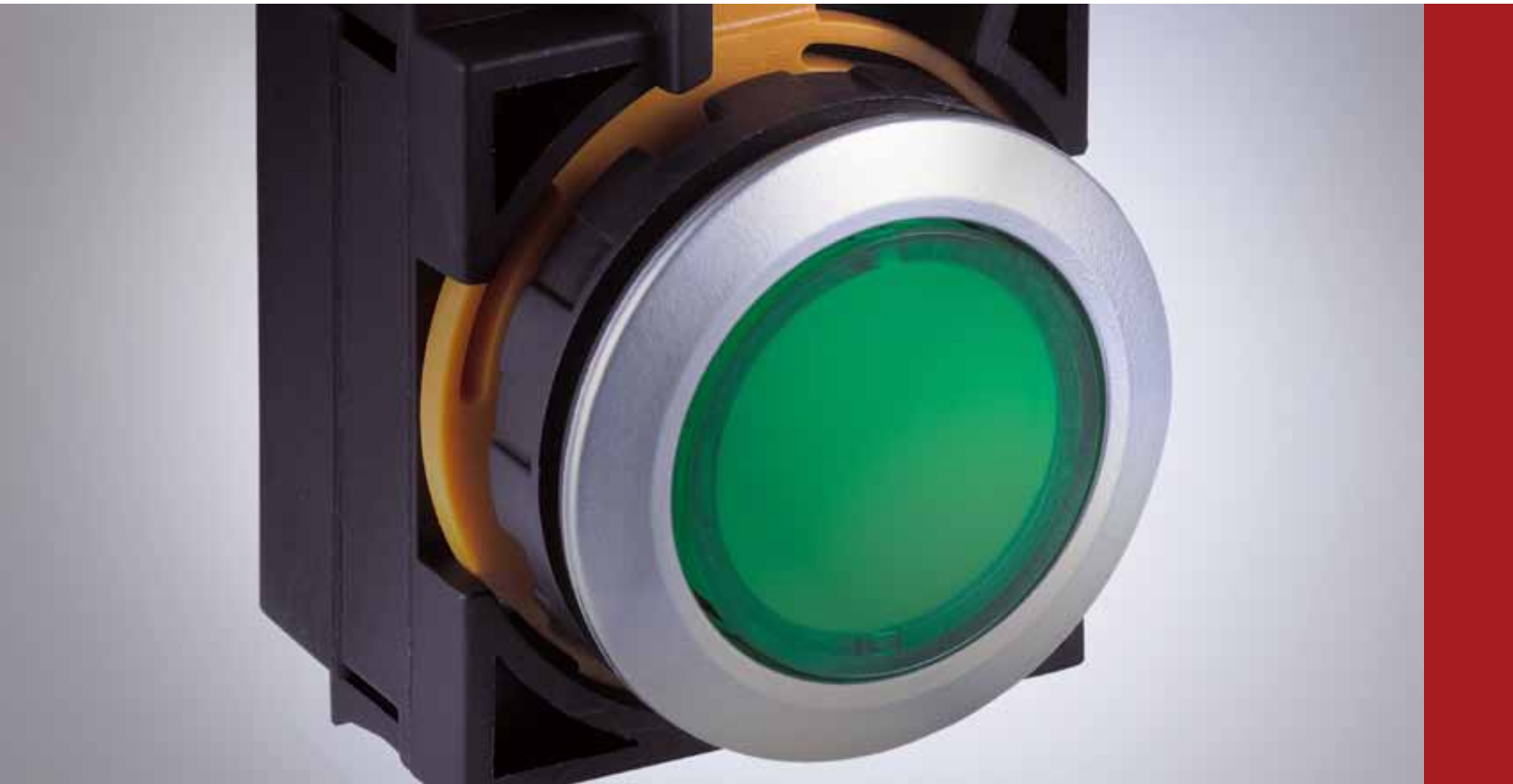




*Think Automation and beyond...*



***IDEC ø22mm Flush Mount CW Series***  
***Switches & Pilot Devices***

# Safety, Style and Flexibility

## Safety



**Third-generation  
Safety Construction**

### Two-action removal of contact blocks

IDEC's original two-action push-turn locking lever provides a higher level of safety by preventing unexpected release of the locking lever. In addition, the position of the locking lever can be used to verify if the contact block was installed securely by checking from the back of the panel.

### Locking lever integrated with guard

Prevents locking lever from unexpected release or damage by trapped wires.



### IP20 Finger-safe Terminals

Finger-safe, IP20 terminals prevent electrical shock.



**Bezel**  
Black or metallic



### Illuminated Pushbuttons - Page 6

- Round flush and extended
- Illumination colors: amber, blue, green, white, red, yellow



### Non-illuminated Pushbuttons - Page 8

- Round flush and extended
- Button colors: black, blue, green, red, yellow, white



### Pilot Lights - Page 9

- Round flush and extended
- Illumination colors: amber, blue, green, white, red, yellow

The IDEC commitment to assuring safety in all operating environments has resulted in stylish, compact and space-saving switches and pilot devices. The innovative two-step locking lever integrated with a guard provides a higher level of safety, and the low projection from the panel surface reduces the possibility of unexpected activation or operator damage. The CW series adds a sleek and stylish image to the panel with black or metallic bezels. The shortest depth behind the panel in its class contributes to reducing machine size.

## Design & Style

### Sleek and stylish switches with a 2.5mm-thick bezel

The CW series give a sleek, stylish image to your machine or control panel. Because of the slim profile, the surface is safer as there is less chance of unexpected operation or accident by hitting the switch. The design also means that the switch is cleaner as it has less dust build-up.

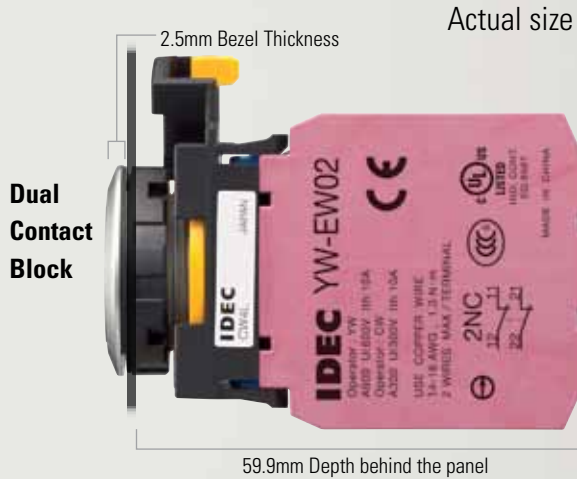
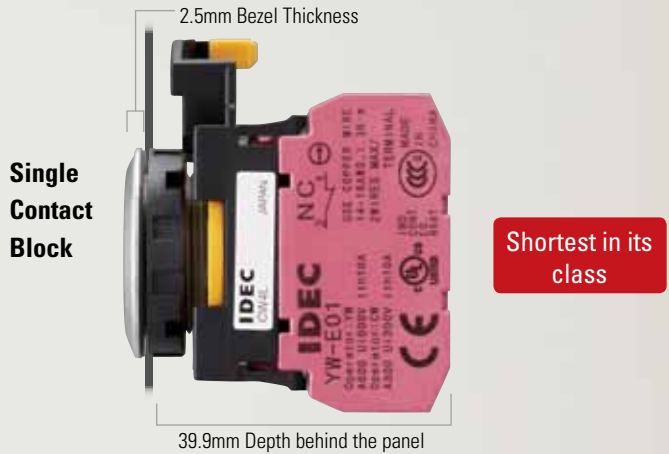
### Short depth behind the panel Space-saving design

Short depth behind the panel allows for smaller machines and panels. Up to 3 contact blocks (non-illuminated models) or 2 contact blocks (illuminated models) can be installed. Use with IDEC FB series or other control boxes.

- 300V AC, 10A contact rating
- No transformer needed—the same depth behind the panel—for any illumination voltage.
- Up to 6 total contacts per switch are possible

### Depth behind the panel comparison

The depth behind the panel of the CW series is shorter than conventional switches, reducing the amount of space needed in the control panel.



800.262.4332

[www.IDEC.com/switches](http://www.IDEC.com/switches)



Selector Switches - Page 10

- Knob Operator 2- and 3-position



Selector Switches - Page 10

- Lever Operator 2- and 3-position
- Lever operator with an easy grip



Key Selector Switches - Page 13

- 7 different wave-keys available
- Hard to duplicate, wave-key ensures a high level of safety



# ø22mm Flush Mount CW Switches & Pilot Devices

Flush bezel projects only 2.5mm from front of panel and as little as 39.9mm behind the panel!

- ø22.3mm mounting hole compliant with IEC 60947-5-1
- 3.5mm operator travel for pushbuttons ensures comfortable and reliable operation
- Up to 6 contacts per switch are possible with use of dual contact blocks
- Black and metallic bezels available
- Illuminated pushbuttons, pushbuttons, pilot lights, selector switches and key selector switches are available
- Direct opening NC contact
- Seven different keys can be chosen for key selector switches
- 10A contact rating; up to three contact blocks for non-illuminated and two contact blocks for illuminated models can be connected
- Contact blocks can be removed by using the locking lever
- IP20 finger-safe screw terminals
- UL Type 4X rating



Applicable Standards	Mark	File No. or Organization
UL508 CSA C22.2 No.14		UL/c-UL File No. E68961
EN60947-5-1		TÜV SÜD
		EC Low Voltage Directive

## Contact Ratings

Rated Insulation Voltage (Ui)				300V		
Rated Thermal Current (Ith)				10A		
Rated Operating Voltage (Ue)				24V	120V	240V
Rated Operating Current (Ie)	Electrical Life 50,000 operations	AC 50/60 Hz	Resistive Load (AC-12)	10A	10A	6A
			Inductive Load (AC-15)	10A	6A	3A
		DC	Resistive Load (DC-12)	8A	2.2A	1.1A
			Inductive Load (DC-13)	4A	1.1A	0.55A
	Electrical Life 100,000 operations	AC 50/60 Hz	Resistive Load (AC-12)	5A	5A	3A
			Inductive Load (AC-15)	5A	3A	1.5A
		DC	Resistive Load (DC-12)	4A	1.1A	0.55A
			Inductive Load (DC-13)	2A	0.55A	0.27A
Contact Material				Silver		

1. Minimum applicable load (reference value): 3V AC/DC, 5 mA (Applicable range is subject to the operating conditions and load.)
2. The operational current represents the classification by making and breaking currents (IEC 60947-5-1).
3. UL, c-UL rating: A300

## Weights

Illuminated Pushbutton	46g (CW1L-M1E02QH, 2 contacts) 62g (CW1L-M1E22QH, 4 contacts)
Pushbutton	45g (CW1B-M1E03, 3 contacts) 52g (CW1B-M1E22, 4 contacts)
Pilot Light	27g (CW1P-1EQH)
Selector Switch	48g (CW1S-2E03, 3 contacts) 55g (CW1S-2E22, 4 contacts)
Key Selector Switch	61g (CW1K-2AE03, 3 contacts) 68g (CW1K-2AE22, 4 contacts)

## Specifications

Operating Temperature	Non-illuminated: -25 to +60°C (no freezing) LED illuminated: -25 to +55°C (no freezing)
Operating Humidity	45 to 85% RH (no condensation)
Storage Temperature	-40 to +80°C
Contact Resistance	50 mΩ maximum (initial value)
Insulation Resistance	100 MΩ minimum (500V DC megger)
Overvoltage Category	II (IEC 60664-1)
Impulse Withstand Voltage	2.5 kV (IEC60664-1/60947-5-1)
Pollution Degree	3 (IEC60947-5-1)
Vibration Resistance	Operating extremes: 5 to 55Hz, amplitude 0.5 mm
Shock Resistance	Operating extremes: 100 m/s <sup>2</sup> Damage limits: 1000 m/s <sup>2</sup>
Mechanical Life (minimum operations)	Pushbutton, illuminated pushbutton: 2,000,000 Selector switch: 250,000 Key selector switch: 250,000
Electrical Life (minimum operations)	50,000 (see Contact Ratings) 100,000 (see Contact Ratings) (switching frequency 1800 operations/h)
Degree of Protection (IEC60529)	Panel front: IP65, IP66, IP67 (see chart on page 5) Terminals: IP20 Type 4X
Short-circuit Protection	250V/10A fuse, (Type aM IEC60269-1, IEC602069-2)
Electrical Shock Protection	Class II (IEC61140)
Terminal Style	Screw terminal (M3.5 slotted Phillips screw)
Bezel Material	Polyamide
Applicable Wire Size	Up to 2 wires of 2 mm <sup>2</sup> (solid wire ø1.6) maximum (AWG14 to 16) (Ring terminal cannot be used)
Recommended Tightening Torque	Terminal: 1.0 to 1.3 N-m Locking ring: 1.2 N-m

## Direct Opening of Key Selector Switch

	2-position (3NC)	3-position (2NC)
Operator Angle for Direct Opening Action	90°	45°
Minimum Operator Torque for Direct Opening Action	0.2 N-m	0.3 N-m
Maximum Operator Angle	90°	45°

## LED Module

Rated Insulation Voltage (Ui)	250V				
Rated Operating Voltage (Ue)	6V AC/DC	12V AC/DC	24V AC/DC	100/120V AC	230/240V AC
Operating Voltage Range	6V AC/DC±10%	12V AC/DC±10%	24V AC/DC±10%	100/120V AC±10%	230/240V AC +/-10%
Illumination Color Code ☉	A (amber), G (green), PW (white), R (red), S (blue)				
LED Module Part Number	CW-EAQ2☉	CW-EAQ3☉	CW-EAQ4☉	CW-EAQH☉	CW-EAQM4☉
Current Draw	15 mA	15 mA	16.5 mA	18 mA	18 mA
Life (reference value)	Approx. 30,000 hours				
Internal Circuit	<ul style="list-style-type: none"> <li> LED Chip</li> <li> Rectifying Diode</li> <li> Zener Diode</li> <li> Resistor</li> <li> Capacitor</li> </ul>				

1. Specify an illumination color code in place of ☉ in the part number.
2. Use the white (PW) LED module for yellow illumination.

## Contact Blocks

Contact Block	Single Contact Block		Double Contact Block		
	1NO	1NC	2NO	2NC	1NO-1NC
Contact					
Part No.	YW-E10R	YW-E01	YW-EW2R0	YW-EW02	YW-EW1R1
Shape					
Housing Color	Blue/Black	Reddish Purple	Blue/Black	Reddish Purple	Reddish Purple/Blue
Push Rod Color	Black	Red	Black	Red	Gray
Terminal No.	3-4	1-2	1st tier: 13-14 2nd tier: 23-24	1st tier: 11-12 2nd tier: 21-22	1st tier: (NO) 13-14 2nd tier: (NC) 21-22
Weight (approx.)	11g		19g		

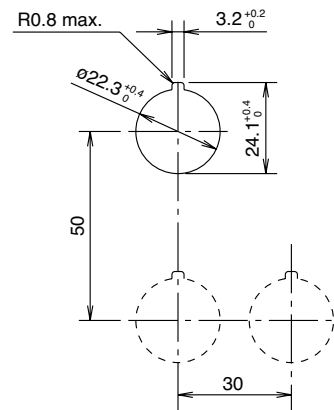
## Degree of Protection

Rating	IP65	IP66	IP67	UL Type 4X
Illuminated Pushbutton	Yes	Yes *	Yes *	Yes *
Pilot Light	Yes	Yes	No	Yes
Pushbutton	Yes	Yes *	Yes *	Yes *
Selector Switch	Yes	Yes	Yes	Yes
Key Selector Switch	Yes	Yes	No	Yes

\*When used with rubber boot (CW9Z-D11, -D12)

## Mounting Hole Layout

### IEC 60947-5-1 compliant



Note: Determine mounting centers to ensure proper spacing.

800.262.4332

www.IDEC.com/switches

# Illuminated Pushbuttons

## Illuminated Pushbuttons (Assembled)

Shape	Operating Voltage	Contact Configuration	Black Bezel	Metallic Bezel	Illumination Color Code ☉
Round Flush CW□L-□1   (black bezel)   (metallic bezel)	6V AC/DC	1NO 1NC 1NO-1NC 2NO 2NC 2NO-2NC	CW1L-☉1E10Q2☉ CW1L-☉1E01Q2☉ CW1L-☉1E11Q2☉ CW1L-☉1E20Q2☉ CW1L-☉1E02Q2☉ CW1L-☉1E22Q2☉	CW4L-☉1E10Q2☉ CW4L-☉1E01Q2☉ CW4L-☉1E11Q2☉ CW4L-☉1E20Q2☉ CW4L-☉1E02Q2☉ CW4L-☉1E22Q2☉	A: amber G: green PW: white R: red S: blue Y: yellow
	12V AC/DC	1NO 1NC 1NO-1NC 2NO 2NC 2NO-2NC	CW1L-☉1E10Q3☉ CW1L-☉1E01Q3☉ CW1L-☉1E11Q3☉ CW1L-☉1E20Q3☉ CW1L-☉1E02Q3☉ CW1L-☉1E22Q3☉	CW4L-☉1E10Q3☉ CW4L-☉1E01Q3☉ CW4L-☉1E11Q3☉ CW4L-☉1E20Q3☉ CW4L-☉1E02Q3☉ CW4L-☉1E22Q3☉	
	24V AC/DC	1NO 1NC 1NO-1NC 2NO 2NC 2NO-2NC	CW1L-☉1E10Q4☉ CW1L-☉1E01Q4☉ CW1L-☉1E11Q4☉ CW1L-☉1E20Q4☉ CW1L-☉1E02Q4☉ CW1L-☉1E22Q4☉	CW4L-☉1E10Q4☉ CW4L-☉1E01Q4☉ CW4L-☉1E11Q4☉ CW4L-☉1E20Q4☉ CW4L-☉1E02Q4☉ CW4L-☉1E22Q4☉	
	100/120V AC	1NO 1NC 1NO-1NC 2NO 2NC 2NO-2NC	CW1L-☉1E10QH☉ CW1L-☉1E01QH☉ CW1L-☉1E11QH☉ CW1L-☉1E20QH☉ CW1L-☉1E02QH☉ CW1L-☉1E22QH☉	CW4L-☉1E10QH☉ CW4L-☉1E01QH☉ CW4L-☉1E11QH☉ CW4L-☉1E20QH☉ CW4L-☉1E02QH☉ CW4L-☉1E22QH☉	
	230/240V AC	1NO 1NC 1NO-1NC 2NO 2NC 2NO-2NC	CW1L-☉1E10QM4☉ CW1L-☉1E01QM4☉ CW1L-☉1E11QM4☉ CW1L-☉1E20QM4☉ CW1L-☉1E02QM4☉ CW1L-☉1E22QM4☉	CW4L-☉1E10QM4☉ CW4L-☉1E01QM4☉ CW4L-☉1E11QM4☉ CW4L-☉1E20QM4☉ CW4L-☉1E02QM4☉ CW4L-☉1E22QM4☉	
Round Extended CW□L-□2   (black bezel)   (metallic bezel)	6V AC/DC	1NO 1NC 1NO-1NC 2NO 2NC 2NO-2NC	CW1L-☉2E10Q2☉ CW1L-☉2E01Q2☉ CW1L-☉2E11Q2☉ CW1L-☉2E20Q2☉ CW1L-☉2E02Q2☉ CW1L-☉2E22Q2☉	CW4L-☉2E10Q2☉ CW4L-☉2E01Q2☉ CW4L-☉2E11Q2☉ CW4L-☉2E20Q2☉ CW4L-☉2E02Q2☉ CW4L-☉2E22Q2☉	A: amber G: green PW: white R: red S: blue Y: yellow
	12V AC/DC	1NO 1NC 1NO-1NC 2NO 2NC 2NO-2NC	CW1L-☉2E10Q3☉ CW1L-☉2E01Q3☉ CW1L-☉2E11Q3☉ CW1L-☉2E20Q3☉ CW1L-☉2E02Q3☉ CW1L-☉2E22Q3☉	CW4L-☉2E10Q3☉ CW4L-☉2E01Q3☉ CW4L-☉2E11Q3☉ CW4L-☉2E20Q3☉ CW4L-☉2E02Q3☉ CW4L-☉2E22Q3☉	
	24V AC/DC	1NO 1NC 1NO-1NC 2NO 2NC 2NO-2NC	CW1L-☉2E10Q4☉ CW1L-☉2E01Q4☉ CW1L-☉2E11Q4☉ CW1L-☉2E20Q4☉ CW1L-☉2E02Q4☉ CW1L-☉2E22Q4☉	CW4L-☉2E10Q4☉ CW4L-☉2E01Q4☉ CW4L-☉2E11Q4☉ CW4L-☉2E20Q4☉ CW4L-☉2E02Q4☉ CW4L-☉2E22Q4☉	
	100/120V AC	1NO 1NC 1NO-1NC 2NO 2NC 2NO-2NC	CW1L-☉2E10QH☉ CW1L-☉2E01QH☉ CW1L-☉2E11QH☉ CW1L-☉2E20QH☉ CW1L-☉2E02QH☉ CW1L-☉2E22QH☉	CW4L-☉2E10QH☉ CW4L-☉2E01QH☉ CW4L-☉2E11QH☉ CW4L-☉2E20QH☉ CW4L-☉2E02QH☉ CW4L-☉2E22QH☉	
	230/240V AC	1NO 1NC 1NO-1NC 2NO 2NC 2NO-2NC	CW1L-☉2E10QM4☉ CW1L-☉2E01QM4☉ CW1L-☉2E11QM4☉ CW1L-☉2E20QM4☉ CW1L-☉2E02QM4☉ CW1L-☉2E22QM4☉	CW4L-☉2E10QM4☉ CW4L-☉2E01QM4☉ CW4L-☉2E11QM4☉ CW4L-☉2E20QM4☉ CW4L-☉2E02QM4☉ CW4L-☉2E22QM4☉	

1. Specify an illumination color code in place of ☉ in the Part Number
2. Specify function code in place of ☉ in the Part Number. M: momentary, A: maintained
3. See page page 16 for dimensions.
4. See next page for replacement LED modules.
5. A dummy block is installed when one contact block is used.
6. Additional contact configurations available, contact IDEC for more details.

## Illuminated Pushbuttons (Sub-assembled)



### Contact Block

Style	Contacts	Contact Block	Contact Configuration	Part Number
	Finger-safe	Single	1NO	YW-E10R
			1NC	YW-E01
	Screw terminal	Double	2NO	YW-EW2R0
			2NC	YW-EW02
			1NO-1NC	YW-EW1R1
	Dummy block			CW-DB

### LED Module



Style	Part Number
	CW-EAQ ②①

1. In place of ①, specify the Lens/LED Color Code from table.
2. In place of ②, specify the Voltage Code from table.

### Contact Block Mounting Adaptor

Style	Part Number
	CW-CN

### Operator

Style		Black Bezel	Metallic Bezel
	Momentary	Round flush	CW1B-M10
		Round extended	CW1B-M20
	Maintained	Round flush	CW1B-A10
		Round extended	CW1B-A20

### Lens

Style	Part number
	Round flush CW9Z-L11 ①
	Round extended CW9Z-L12 ①

1. In place of ①, specify the Lens/LED Color Code from table.

#### ① Lens/LED Color Code

Color	Code
Amber	A
Green	G
Red	R
Blue	S
White*	PW or C
Yellow	Y

#### ② Voltage Code

Voltage	Code
6V AC/DC	2
12V AC/DC	3
24V AC/DC	4
100/120V AC	H
230/240V AC	M4



\*Use PW for LED module, use C for lens.

800.262.4332

www.IDEC.com/switches

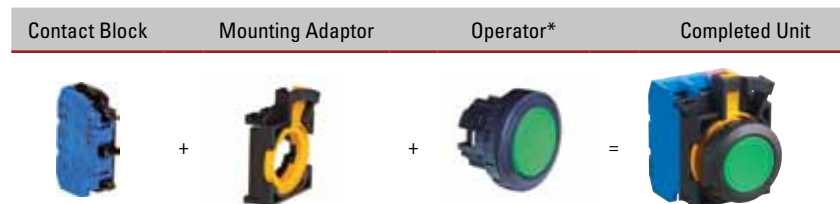
# Non-illuminated Pushbuttons

## Non-illuminated Pushbuttons (Assembled)

Shape	Contact Configuration	Black Bezel	Metallic Bezel	Button Color Code ①
Round Flush CW□B-□1  (black bezel)	1NO 1NC 1NO-1NC 2NO 2NC 2NO-1NC* 1NO-2NC* 3NO* 3NC* 2NO-2NC	CW1B-③1E10④ CW1B-③1E01④ CW1B-③1E11④ CW1B-③1E20④ CW1B-③1E02④ CW1B-M1E21④ CW1B-M1E12④ CW1B-M1E30④ CW1B-M1E03④ CW1B-③1E22④	CW4B-③1E10④ CW4B-③1E01④ CW4B-③1E11④ CW4B-③1E20④ CW4B-③1E02④ CW4B-M1E21④ CW4B-M1E12④ CW4B-M1E30④ CW4B-M1E03④ CW4B-③1E22④	B: black G: green R: red S: blue W: white Y: yellow
Round Extended CW□B-□2  (metallic bezel)	1NO 1NC 1NO-1NC 2NO 2NC 2NO-1NC* 1NO-2NC* 3NO* 3NC* 2NO-2NC	CW1B-③2E10④ CW1B-③2E01④ CW1B-③2E11④ CW1B-③2E20④ CW1B-③2E02④ CW1B-M2E21④ CW1B-M2E12④ CW1B-M2E30④ CW1B-M2E03④ CW1B-③2E22④	CW4B-③2E10④ CW4B-③2E01④ CW4B-③2E11④ CW4B-③2E20④ CW4B-③2E02④ CW4B-M2E21④ CW4B-M2E12④ CW4B-M2E30④ CW4B-M2E03④ CW4B-③2E22④	

1. Specify a button color code in place of ④ in the part number.
2. Specify function code in place of ③ in the Part Number. M: momentary, A: maintained
3. See page 17 for dimensions.
4. Two or one dummy block is installed when one or two contact blocks are used, respectively.
5. \*These contact configurations are not available in maintained action.
6. Additional contact configurations available; contact IDEC for more details.

## Non-illuminated Pushbuttons (Sub-assembled)



800.262.4332  
www.IDEC.com/switches

### Contact Block

Style	Contacts	Contact Block	Contact Configuration	Part Number
	Single		1NO	YW-E10R
			1NC	YW-E01
	Double		2NO	YW-EW2R0
			2NC	YW-EW02
	1NO-1NC		YW-EW1R1	
	Dummy block			CW-DB

### Contact Block Mounting Adaptor

Style	Part Number
	CW-CN

### ① Button Color Code

Color	Code
Black	B
Green	G
Red	R
Blue	S
White	W
Yellow	Y



### Operator\*

Style		Black Bezel	Metallic Bezel
	Momentary Round flush	CW1B-M1④	CW4B-M1④
	Momentary Round extended	CW1B-M2④	CW4B-M2④
	Maintained Round flush	CW1B-A1④	CW4B-A1④
	Maintained Round extended	CW1B-A2④	CW4B-A2④

1. Specify a button color code in place of ④.
2. \*Operator button is not removable from operator.



## Pilot Lights (Assembled)

Shape	Operating Voltage	Black Bezel	Metallic Bezel	Illumination Color Code ②
Round Flush Lens CW□P-1  (black bezel)	6V AC/DC	CW1P-1EQ2②	CW4P-1EQ2②	A: amber G: green R: red S: blue PW: white Y: yellow
	12V AC/DC	CW1P-1EQ3②	CW4P-1EQ3②	
	24V AC/DC	CW1P-1EQ4②	CW4P-1EQ4②	
	100/120V AC	CW1P-1EQH②	CW4P-1EQH②	
	230/240V AC	CW1P-1EQM4②	CW4P-1EQM4②	
Round Dome Lens CW□P-2  (metallic bezel)	6V AC/DC	CW1P-2EQ2②	CW4P-2EQ2②	
	12V AC/DC	CW1P-2EQ3②	CW4P-2EQ3②	
	24V AC/DC	CW1P-2EQ4②	CW4P-2EQ4②	
	100/120V AC	CW1P-2EQH②	CW4P-2EQH②	
	230/240V AC	CW1P-2EQM4②	CW4P-2EQM4②	


1. Specify an illumination color code in place of ② in the Part Number
2. See page page 17 for dimensions.
3. See page page 21 for replacement LED modules.
4. Two dummy blocks are installed.

## Pilot Lights (Sub-assembled)



\*2 dummy blocks are required for each completed pilot light.

### Contact Block

Style	Part Number
 Dummy block	CW-DB

### Contact Block Mounting Adaptor

Style	Part Number
	CW-CN

### Lens

Style	Part Number
	Round flush CW9Z-L11①
	Round dome CW9Z-L15①

1. In place of ①, specify the Lens/LED Color Code from table.

### LED Module

Style	Part Number
	CW-EAQ ②①

1. In place of ①, specify the Lens/LED Color Code from table.
2. In place of ②, specify the Voltage Code from table.

### Operator

Style	Black Bezel	Metallic Bezel
	CW1P-00	CW4P-00

### ① Lens/LED Color Code

Color	Code
Amber	A
Green	G
Red	R
Blue	S
White*	PW or C
Yellow	Y

\* Use PW for LED module, use C for lens.

### ② Voltage Code

Voltage	Code
6V AC/DC	2
12V AC/DC	3
24V AC/DC	4
100/120V AC	H
230/240V AC	M4

# Selector Switches

## Selector Switches (Assembled)

No. of Positions	Contact Configuration (Code)	Contact Block		Operator Position		L R Maintained	L R Spring return from right
		Mounting Position	Contact	L	R		
90° 2-position	1NO (10)	1	NO		●	CW□S-2E10	CW□S-21E10
		2	—	Dummy			
		3	—	Dummy			
	1NC (01)	1	—	Dummy		CW□S-2E01	CW□S-21E01
		2	—	Dummy			
		3	NC	●			
	1NO-1NC (11)	1	NO		●	CW□S-2E11	CW□S-21E11
		2	—	Dummy			
		3	NC	●			
	2NO (20)	1	NO		●	CW□S-2E20	CW□S-21E20
		2	—	Dummy			
		3	NO		●		
	2NC (02)	1	NC	●		CW□S-2E02	CW□S-21E02
		2	—	Dummy			
		3	NC	●			
	2NO-1NC (21)	1	NO		●	CW□S-2E21	CW□S-21E21
		2	NO		●		
		3	NC	●			
	1NO-2NC (12)	1	NO		●	CW□S-2E12	CW□S-21E12
		2	NC	●			
		3	NC	●			
	3NO (30)	1	NO		●	CW□S-2E30	CW□S-21E30
		2	NO		●		
		3	NO		●		
	3NC (03)	1	NC	●		CW□S-2E03	CW□S-21E03
		2	NC	●			
		3	NC	●			
	2NO-2NC (22)	1	NO/NC	NO/NC	●	CW□S-2E22	CW□S-21E22
		2	—	Dummy			
		3	NO/NC	NO/NC	●		
4NO (40)	1	2NO	NO/NO		CW□S-21E40	CW□S-21E40	
	2	—	Dummy				
	3	2NO	NO/NO	●			

1. Specify a bezel color code in place of □ in the part number: 1 (black bezel), 4 (metallic bezel).
2. Lever operator is also available. For dimensions, see page 18.
3. To order a lever operator selector switch, insert L before E in the knob operator part number.  
Example: Knob Operator part number CW1S-2E10 becomes CW1S-2LE10 for Lever Operator.

800.262.4332

www.IDEC.com/switches

### Lever Operator



CW1S-□L  
(black bezel)



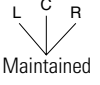
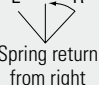


CW4S-□L  
(metallic bezel)

### Contact Block Mounting Position



		Left	Center	Right	Operator Position
		L	C	R	
1	NO	●			
2	NC		●		
3	NC	●			

# Selector Switches

No. of Positions	Contact Configuration (Code)	Contact Block		Operator Position			 Maintained	 Spring return from right	 Spring return from left	 Spring return two-way
		Mounting Position	Type	L	C	R				
45° 3-position	1NO-1NC (11)	1	NO	●			CW□S-3E11	CW□S-31E11	CW□S-32E11	CW□S-33E11
		2	—			Dummy				
		3	NC	■						
	1NO-1NC (11N1)	1	NC			■	CW□S-3E11N1	CW□S-31E11N1	CW□S-32E11N1	CW□S-33E11N1
		2	—			Dummy				
		3	NO			●				
	1NO-1NC (11N2)	1	NO	●			CW□S-3E11N2	CW□S-31E11N2	CW□S-32E11N2	CW□S-33E11N2
		2	NC		●					
		3	—			Dummy				
	1NO-1NC (11N3)	1	—			Dummy	CW□S-3E11N3	CW□S-31E11N3	CW□S-32E11N3	CW□S-33E11N3
		2	NC		●					
		3	NO			●				
	1NO-1NC (11N4)	1	—			Dummy	CW□S-3E11N4	CW□S-31E11N4	CW□S-32E11N4	CW□S-33E11N4
		2	NO	●		●				
		3	NC		■					
	2NO (20)	1	NO	●			CW□S-3E20	CW□S-31E20	CW□S-32E20	CW□S-33E20
		2	—			Dummy				
		3	NO			●				
	2NO (20N1)	1	—			Dummy	CW□S-3E20N1	CW□S-31E20N1	CW□S-32E20N1	CW□S-33E20N1
		2	NO	●		●				
		3	NO			●				
	2NC (02)	1	NC			■	CW□S-3E02	CW□S-31E02	CW□S-32E02	CW□S-33E02
		2	—			Dummy				
		3	NC		■					
	2NC (02N1)	1	—			Dummy	CW□S-3E02N1	CW□S-31E02N1	CW□S-32E02N1	CW□S-33E02N1
		2	NC		●					
		3	NC		■					
	2NO-1NC (21)	1	NO	●			CW□S-3E21	CW□S-31E21	CW□S-32E21	CW□S-33E21
		2	NO	●		●				
		3	NC		■					
	2NO-1NC (21N1)	1	NO	●			CW□S-3E21N1	CW□S-31E21N1	CW□S-32E21N1	CW□S-33E21N1
		2	NC		●					
		3	NO			●				
	1NO-2NC (12)	1	NO	●			CW□S-3E12	CW□S-31E12	CW□S-32E12	CW□S-33E12
		2	NC		●					
		3	NC		■					
	1NO-2NC (12N1)	1	NC			■	CW□S-3E12N1	CW□S-31E12N1	CW□S-32E12N1	CW□S-33E12N1
		2	NO	●		●				
		3	NC		■					
	3NO (30)	1	NO	●			CW□S-3E30	CW□S-31E30	CW□S-32E30	CW□S-33E30
		2	NO	●		●				
		3	NO			●				
3NC (03)	1	NC			■	CW□S-3E03	CW□S-31E03	CW□S-32E03	CW□S-33E03	
	2	NC		●						
	3	NC		■						
2NO-2NC (22)	1	NO/NC	NO/NC	●		CW□S-3E22	CW□S-31E22	CW□S-32E22	CW□S-33E22	
	2	—			Dummy					
	3	NO/NC	NO/NC	■	●					
4NO (40)	1	2NO	NO	●		CW□S-3E40	CW□S-31E40	CW□S-32E40	CW□S-33E40	
	2	—			Dummy					
	3	2NO	NO	●	●					
2NO-2NC (22N2)	1	2NC	NC		■	CW□S-3E22N2	CW□S-31E22N2	CW□S-32E22N2	CW□S-33E22N2	
	2	—			Dummy					
	3	2NO	NC		●					

- Specify a bezel color code in place of □ in the Part Number, 1 (black bezel), 4 (metallic bezel)
- For the contact block mounting position, see page 10.
- Lever operator is also available. For dimensions, see page 18.
- To order a lever operator selector switch, insert L before E in the knob operator part number.  
Example: Knob Operator part number CW1S-3E11 becomes CW1S-3LE11 for Lever Operator.

# Selector Switches

## Selector Switches (Sub-assembled)



### Contact Block



Style	Contacts	Contact Block	Contact Configuration	Part Number
	Finger-safe	Single	1NO	YW-E10R
			1NC	YW-E01
	Screw terminal	Double	2NO	YW-EW2R0
			2NC	YW-EW02
			1NO-1NC	YW-EW1R1
	Dummy block			CW-DB

800.262.4332  
www.IDEC.com/switches

### Contact Block Mounting Adaptor

Style	Part Number
	CW-CN

### Operator

Style	Position	Handle	Description	Black Bezel	Metallic Bezel
   (knob operator shown)	2 position	Knob	Maintained	CW1S-2	CW4S-2
			Spring return from right	CW1S-21	CW4S-21
		Lever	Maintained	CW1S-2L	CW4S-2L
			Spring return from right	CW1S-21L	CW4S-21L
	3 position	Knob	Maintained	CW1S-3	CW4S-3
			Spring return from right	CW1S-31	CW4S-31
			Spring return from left	CW1S-32	CW4S-32
			Spring return two-way	CW1S-33	CW4S-33
		Lever	Maintained	CW1S-3L	CW4S-3L
			Spring return from right	CW1S-31L	CW4S-31L
			Spring return from left	CW1S-32L	CW4S-32L
			Spring return two-way	CW1S-33L	CW4S-33L

Lever or knob is supplied with operator

## Key Selector Switches (Assembled)

No. of Positions	Contact Configuration	Contact Block		Operator Position		L ↙ R Maintained	L ↙ R Spring return from right
		Mounting Position	Type	L	R		
90° 2-position	1NO (10)	1	NO		●	CW□K-2AE10	CW□K-21BE10
		2	—	Dummy			
		3	—	Dummy			
	1NC (01)	1	—	Dummy		CW□K-2AE01	CW□K-21BE01
		2	—	Dummy			
		3	NC	●			
	1NO-1NC (11)	1	NO		●	CW□K-2AE11	CW□K-21BE11
		2	—	Dummy			
		3	NC	●			
	2NO (20)	1	NO		●	CW□K-2AE20	CW□K-21BE20
		2	—	Dummy			
		3	NO		●		
	2NC (02)	1	NC	●		CW□K-2AE02	CW□K-21BE02
		2	—	Dummy			
		3	NC	●			
	2NO-1NC (21)	1	NO		●	CW□K-2AE21	CW□K-21BE21
		2	NO		●		
		3	NC	●			
	1NO-2NC (12)	1	NO		●	CW□K-2AE12	CW□K-21BE12
		2	NC	●			
		3	NC	●			
	3NO (30)	1	NO		●	CW□K-2AE30	CW□K-21BE30
		2	NO		●		
		3	NO		●		
3NC (03)	1	NC	●		CW□K-2AE03	CW□K-21BE03	
	2	NC	●				
	3	NC	●				
2NO-2NC (22)	1	NO/NC	NO NC	●	CW□K-2AE22	CW□K-21BE22	
	2	—	Dummy				
	3	NO/NC	NO NC	●			
4NO (40)	1	2NO	NO NO	● ●	CW□K-2AE40	CW□K-21BE40	
	2	—	Dummy				
	3	2NO	NO NO	● ●			

- Specify a bezel color code in place of □ in the Part Number: 1 (black bezel), 4 (metallic bezel).
- On the spring-returned models, the key can be released only from the maintained position. On the maintained models, the key can be released from any position. Key retained positions are also available. See below.
- Two keys are supplied.
- Key cylinder material: Metal
- Besides the standard key (key number 0H), six other keys are also available. See below.
- For the contact block mounting position, see page 14.
- For dimensions, see page 19.
- When ordering an optional key or optional key retained positions, specify designation codes as shown below:

Example: CW1K-2AE10-1H

Key removal position code	↑	↑	blank): Standard key (0H, reversible)
2-position			1H to 2H: Reversible key
A: Removable in all positions	3-position		3H to 6H: Non-reversible key
B: Removable in left only	A: Removable in all positions		Note:
C: Removable in right only	B: Removable in left and center		Key number is indicated on the key cylinder.
	C: Removable in right and center		Standard keys do not have a key number indication.
	D: Removable in center only		
	E: Removable in right and left		
	G: Removable in left only		
	H: Removable in right only		

# Key Selector Switches

No. of Positions	Contact Configuration	Contact Block		Operator Position			L C R Maintained	L C R Spring return from right	L C R Spring return from left	L C R Spring return two-way	
		Mounting Position	Type	L	C	R					
45° 3-position	1NO-1NC (11)	1	NO	●			CW□K-3AE11	CW□K-31BE11	CW□K-32CE11	CW□K-33DE11	
		2	—	Dummy							
		3	NC	■							
	1NO-1NC (11N1)	1	NC		■			CW□K-3AE11N1	CW□K-31BE11N1	CW□K-32CE11N1	CW□K-33DE11N1
		2	—	Dummy							
		3	NO			●					
	1NO-1NC (11N2)	1	NO	●			CW□K-3AE11N2	CW□K-31BE11N2	CW□K-32CE11N2	CW□K-33DE11N2	
		2	NC		●						
		3	—	Dummy							
	1NO-1NC (11N3)	1	—	Dummy			CW□K-3AE11N3	CW□K-31BE11N3	CW□K-32CE11N3	CW□K-33DE11N3	
		2	NC		●						
		3	NO			●					
	1NO-1NC (11N4)	1	—	Dummy			CW□K-3AE11N4	CW□K-31BE11N4	CW□K-32CE11N4	CW□K-33DE11N4	
		2	NO	●		●					
		3	NC	■							
	2NO (20)	1	NO	●			CW□K-3AE20	CW□K-31BE20	CW□K-32CE20	CW□K-33DE20	
		2	—	Dummy							
		3	NO			●					
	2NO (20N1)	1	—	Dummy			CW□K-3AE20N1	CW□K-31BE20N1	CW□K-32CE20N1		
		2	NO	●		●					
		3	NO			●					
	2NC (02)	1	NC		■			CW□K-3AE02	CW□K-31BE02	CW□K-32CE02	
		2	—	Dummy							
		3	NC	■							
	2NC (02N1)	1	—	Dummy			CW□K-3AE02N1	CW□K-31BE02N1	CW□K-32CE02N1		
		2	NC		●						
		3	NC	■							
	2NO-1NC (21)	1	NO	●			CW□K-3AE21	CW□K-31BE21	CW□K-32CE21		
		2	NO	●		●					
		3	NC	■							
2NO-1NC (21N1)	1	NO	●			CW□K-3AE21N1	CW□K-31BE21N1	CW□K-32CE21N1			
	2	NC		●							
	3	NO			●						
1NO-2NC (12)	1	NO	●			CW□K-3AE12	CW□K-31BE12	CW□K-32CE12			
	2	NC		●							
	3	NC	■								
1NO-2NC (12N1)	1	NC		■			CW□K-3AE12N1	CW□K-31BE12N1	CW□K-32CE12N1	CW□K-33DE12N1	
	2	NO	●		●						
	3	NC	■								
3NO (30)	1	NO	●			CW□K-3AE30	CW□K-31BE30	CW□K-32CE30	CW□K-33DE30		
	2	NO	●		●						
	3	NO			●						
3NC (03)	1	NC		■			CW□K-3AE03	CW□K-31BE03	CW□K-32CE03	CW□K-33DE03	
	2	NC		●							
	3	NC	■								
2NO-2NC (22)	1	NO/ NC	NO NC	●		CW□K-3AE22	CW□K-31BE22	CW□K-32CE22	CW□K-33DE22		
	2	—	Dummy								
	3	NO/ NC	NO NC	●	●						
4NO (40)	1	2NO	NO NO	●		CW□K-3AE40	CW□K-31BE40	CW□K-32CE40	CW□K-33DE40		
	2	—	Dummy								
	3	2NO	NO NO		●						
2NO-2NC (22N2)	1	2NC	NC NC	■			CW□K-3AE22N2	CW□K-31BE22N2	CW□K-32CE22N2	CW□K-33DE22N2	
	2	—	Dummy								
	3	2NC	NC NC		●						

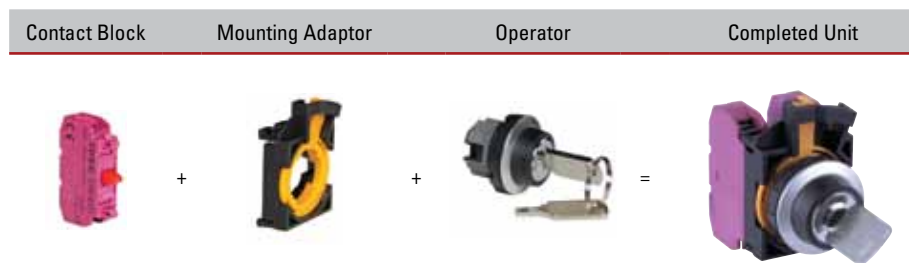
## Mounting Position



Operator Position	Left Center Right		
	L	C	R
1	NO	●	
2	NC		●
3	NC	■	

- Specify a bezel color code in place of □ in the Type No.: 1 (black bezel), 4 (metallic bezel)
- On the spring-returned types, the key can be released only from the maintained position. On the maintained types, the key can be released from every position. Key retained positions are also available. See page 13.
- Two keys are supplied.
- Key cylinder material: Metal
- Besides the standard key (key number 0H), six other keys are also available. See page 13.
- For the contact block mounting position, see above
- For dimensions, see page 19.

## Key Selector Switches (Sub-assembled)




### Contact Block

Style	Contacts	Contact Block	Contact Configuration	Part Number
	Finger-safe	Single	1NO	YW-E10R
			1NC	YW-E01
	Screw terminal	Double	2NO	YW-EW2R0
			2NC	YW-EW02
			1NO-1NC	YW-EW1R1
	Dummy block			CW-DB

### Contact Block Mounting Adaptor

Style	Part Number
	CW-CN

### Operator

Style	Position	Description	Black Bezel	Metallic Bezel
	2 position	Maintained, key removable all positions	CW1K-2A	CW4K-2A
		Maintained, key removed left only	CW1K-2B	CW4K-2B
		Maintained, key removed right only	CW1K-2C	CW4K-2C
		Spring return from right	CW1K-21B	CW4K-21B
	3 position	Maintained, key removable all positions	CW1K-3A	CW1K-3A
		Maintained, key removed left and center only	CW1K-3B	CW4K-3B
		Maintained, key removed right and center only	CW1K-3C	CW4K-3C
		Maintained, key removed center only	CW1K-3D	CW4K-3D
		Maintained, key removed left and right only	CW1K-3E	CW4K-3E
		Maintained, key removed left only	CW1K-3G	CW4K-3G
		Maintained, key removed right only	CW1K-3H	CW4K-3H
		Spring return from right, key removed left and center only	CW1K-31B	CW4K-31B
		Spring return from right, key removed center only	CW1K-31D	CW4K-31D
		Spring return from right, key removed left only	CW1K-31G	CW4K-31G
		Spring return from left, key removed right and center only	CW1K-32C	CW4K-32C
		Spring return from left, key removed center only	CW1K-32D	CW4K-32D
Spring return from left, key removed right only	CW1K-32H	CW4K-32H		
Spring return two-way, key removed center only	CW1K-33D	CW4K-33D		

2 keys supplied with operator.

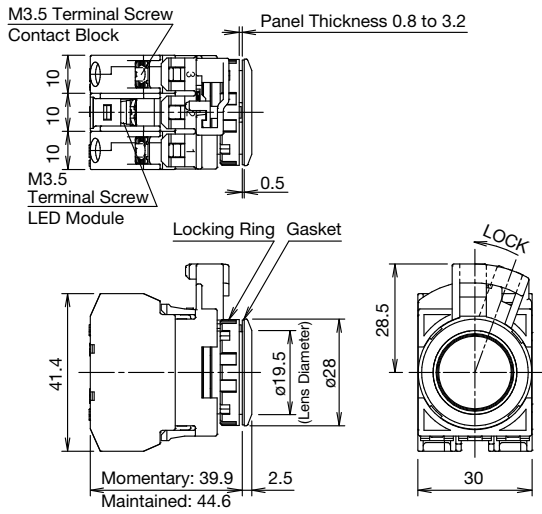
800.262.4332  
www.IDEC.com/switches

# Dimensions (mm)

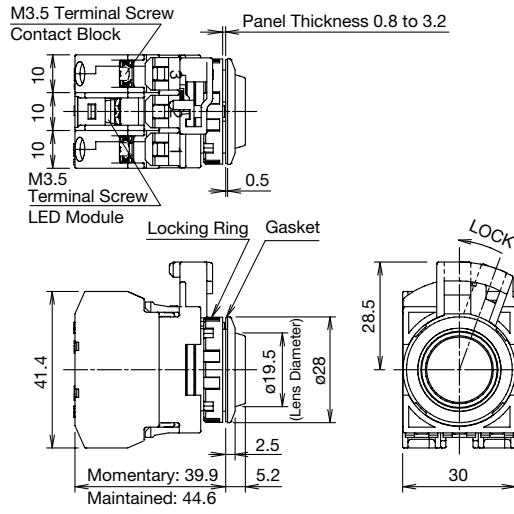
## Illuminated Pushbuttons

### 1 to 2 Contacts

Round Flush

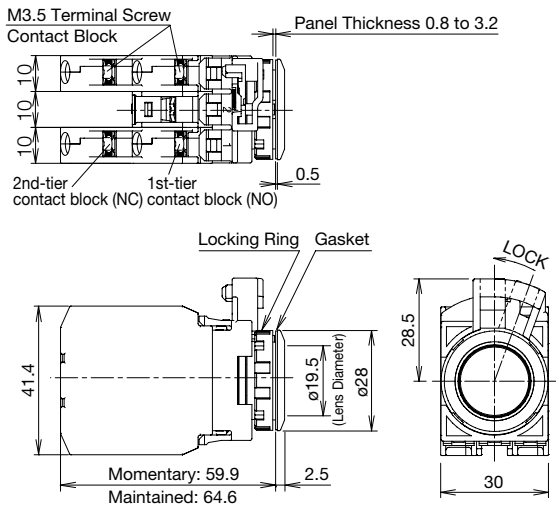


Round Extended

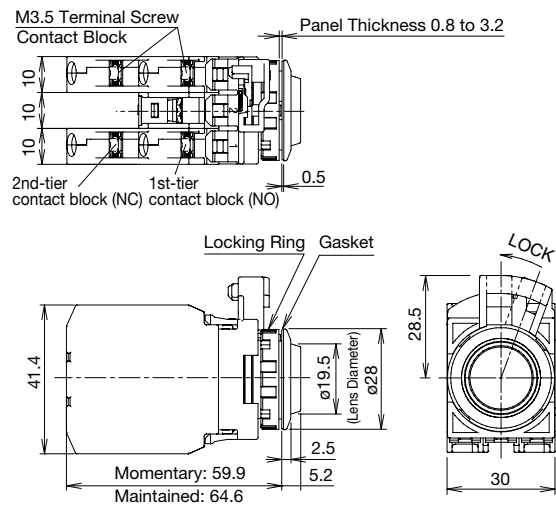


### 4 Contacts

Round Flush



Round Extended



800.262.4332

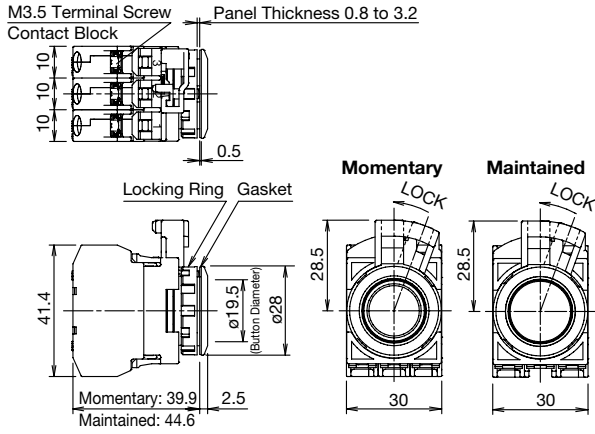
www.IDEC.com/switches



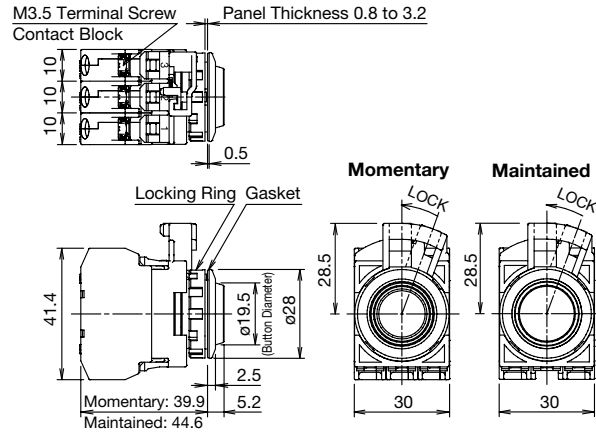
## Pushbuttons

### 1 to 2 Contacts

Round Flush

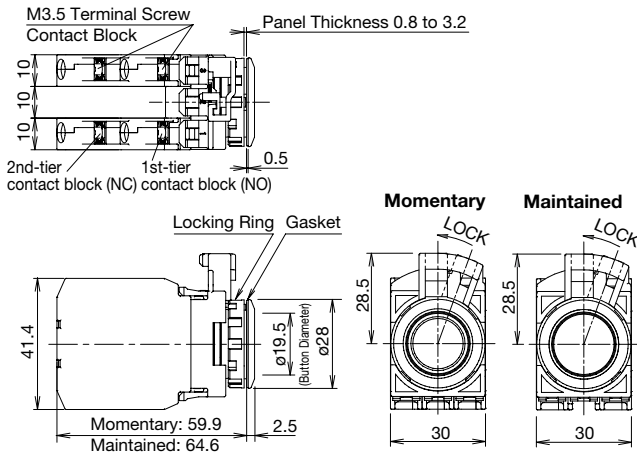


Round Extended

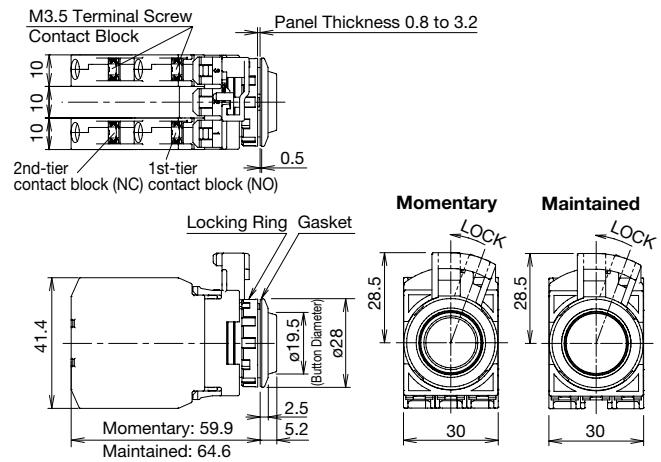


### 4 Contacts

Round Flush

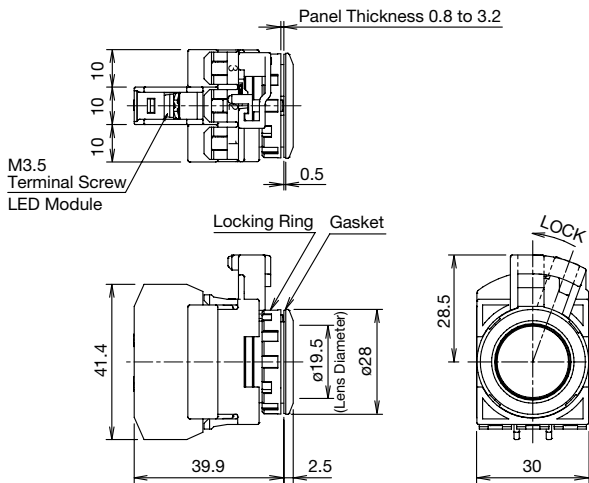


Round Extended

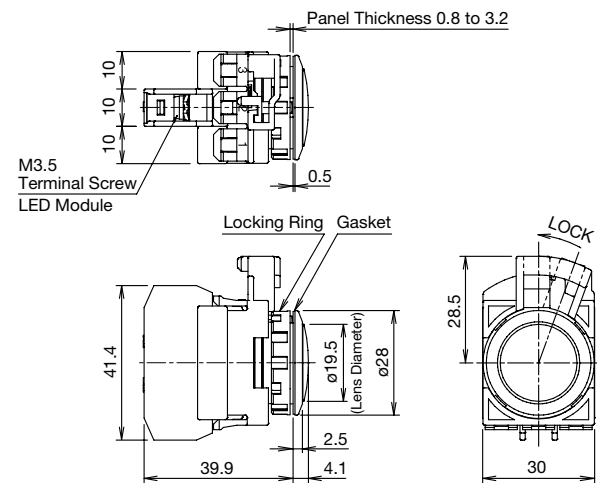


## Pilot Lights

Round Flush



Round Dome

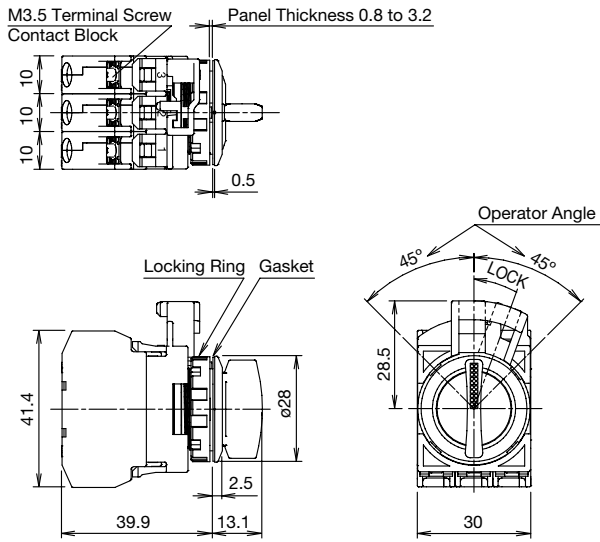


# Dimensions (mm)

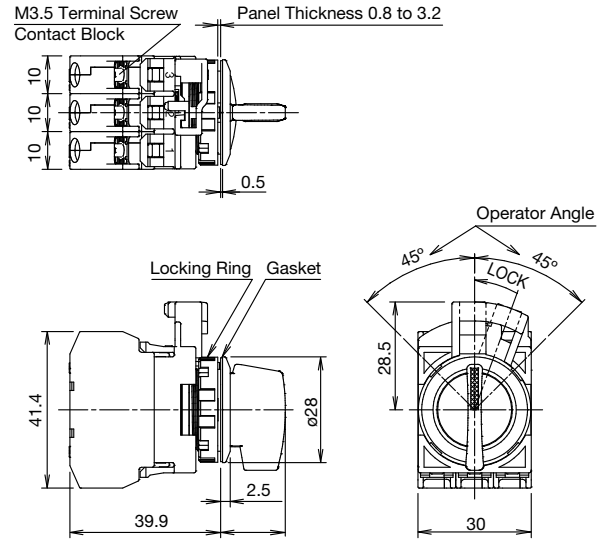
## Selector Switches

### 1 to 3 Contacts

Knob Operator

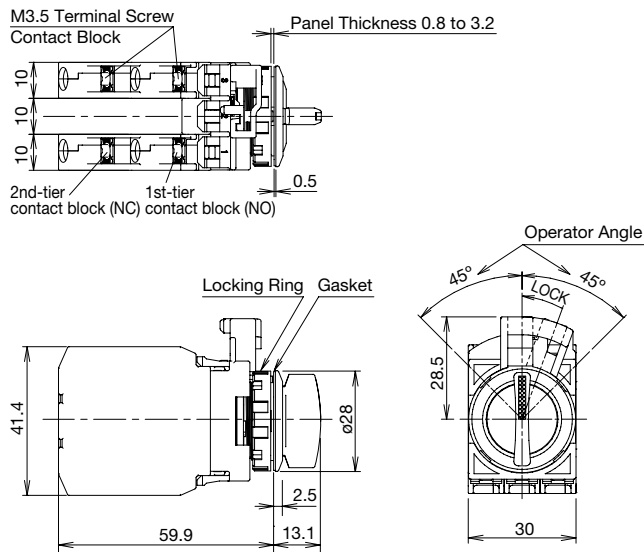


Lever Operator

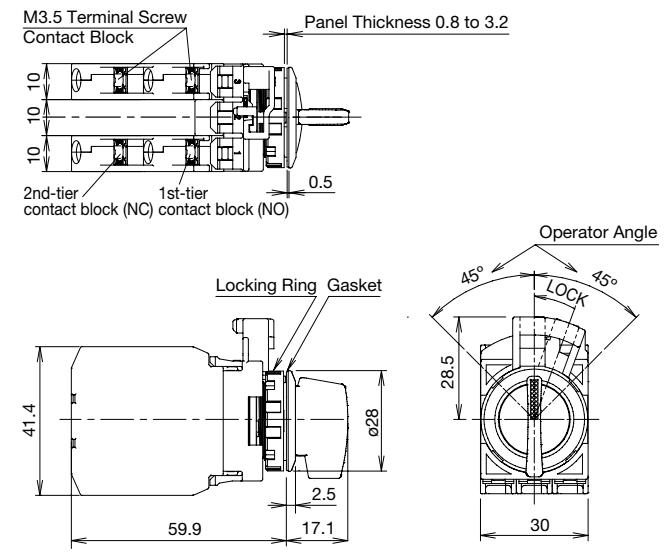


### 4 Contacts

Knob Operator



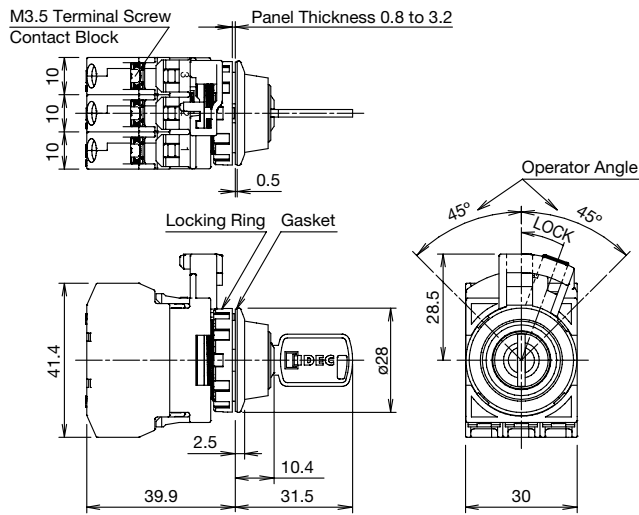
Lever Operator



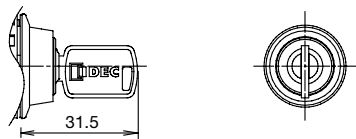
# Dimensions (mm)

## Key Selector Switches

### 1 to 3 Contacts



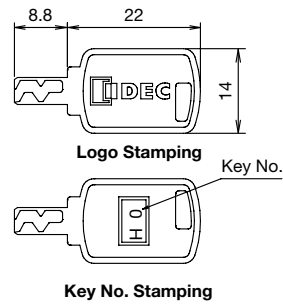
Key No: 0H to 2H (reversible key)



Key No: 3H to 6H (non-reversible key)

## Keys

### Reversible Key

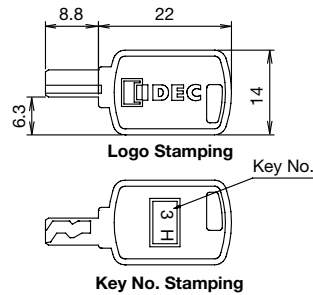


Logo Stamping

Key No.

Key No. Stamping

### Non-reversible Key

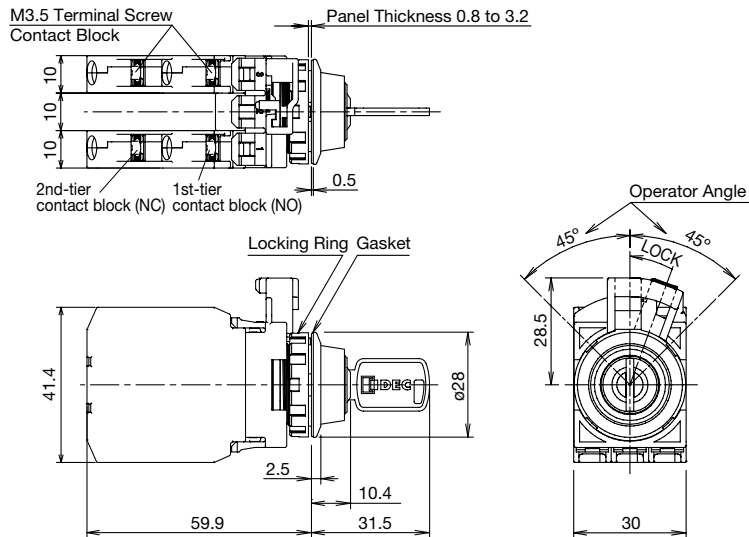


Logo Stamping

Key No.

Key No. Stamping


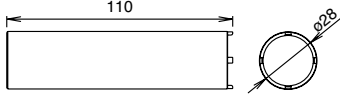

## 4 Contacts



800.262.4332

[www.IDEC.com/switches](http://www.IDEC.com/switches)


## Accessories

Shape	Material	Part Number	Package Quantity	Remarks
	Brass	MW9Z-T1	1	<ul style="list-style-type: none"> <li>Used to tighten the locking ring when installing the CW series control unit in a panel cut-out.</li> <li>Weight: Approx 150g</li> </ul> 
	Polyamide (black)	LW9Z-BP1	1	<ul style="list-style-type: none"> <li>Used to plug an unnecessary <math>\varnothing 22.3</math>mm hole in the panel.</li> <li>Degree of protection: IP65</li> <li>Panel thickness: 0.8 to 6.0 mm</li> </ul>

## Replacement Parts

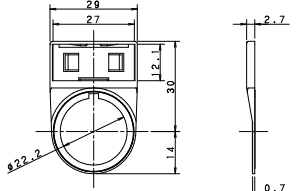

Shape	Material	Part Number	Remarks
	1 Round Flush	Polyallylate	CW9Z-L11 <sup>Ⓢ</sup>
	2 Round Extended	Polyallylate	CW9Z-L12 <sup>Ⓢ</sup>
	3 Round Dome	Polyallylate	CW9Z-L15 <sup>Ⓢ</sup>
	1N0	YW-E10R	Push rod color: Black Housing color: Blue/black Terminal No.: 3-4
	1NC	YW-E01	Push rod color: Red Housing color: Reddish purple Terminal No.: 1-2
	2N0	YW-EW2R0	Push rod color: black Housing color: blue and black Terminal No. 1st tier: 13-14, 2nd tier: 23-24
	2NC	YW-EW02	Push rod color: red Housing color: reddish purple Terminal No. 1st tier: 11-12, 2nd tier: 21-22
	1N0, 1NC	YW-EW1R1	Push rod color: gray Housing color: reddish purple/blue Terminal No. 1st tier: 13-14, 2nd tier: 21-22
			CW9Z-D11
			CW9Z-D12
	Polyamide (black)	CW-DB	
	Polyamide (black)	CW9Z-LN	
	Nitrile rubber	CW9Z-WM	Waterproof gasket between CW control unit bezel and the mounting panel.
	Plastic	CWAM-OB	
	Zinc (nickel-plated)	LA9Z-SK-□	Specify a key No. in place of □. 0H: Standard key (reversible) 1H to 2H: Reversible key 3H to 6H: Non-reversible key For dimensions, see page 17.

## LED Modules

Shape	Operating Voltage Range	Current Draw	Part Number	Illumination Color Code ②
	6V AC/DC±10%	15 mA	CW-EAQ2②	Specify an illumination color code in place of ② in the Part Number A: amber G: green PW: white R: red S: blue
	12V AC/DC±10%	15 mA	CW-EAQ3②	
	24V AC/DC±10%	16.5 mA	CW-EAQ4②	
	100/120V AC±10%	18 mA	CW-EAQH②	
	230/240V AC±10%	18 mA	CW-EAQM4②	

Use a white (PW) LED module for yellow (Y) illumination.

## Nameplate

CWAM—Black Plastic	
	
Nameplate (blank insert included)	CWAM-OB
Nameplate (engraved)	CWAM-①
Additional Insert (blank)	HWNP-O HWNP Dimensions
Additional Insert (engraved)	HWNP-① 

- In place of ①, insert either the standard legend code from table below or custom engraving delimited by " ".
- Standard engravings are available at no charge.

## Standard Legend Codes

Pushbuttons		Pushbuttons/Selector Switches		Selector Switches					
Legend	Code	Legend	Code	Legend	Code				
AUTO	101	OPEN	116	AUTO-MAN	201	REV-FOR	216	AUTO-MAN-OFF	301
CLOSE	102	OUT	117	CLOSE-OPEN	202	RUN-JOG	217	AUTO-OFF-MAN	302
DOWN	103	RAISE	118	DOWN-UP	203	RUN-SAFE	218	CLOSE-OFF-OPEN	303
EMERG.STOP	104	RESET	119	FAST-SLOW	204	SAFE-RUN	219	DOWN-OFF-SLOW	304
FAST	105	REVERSE	120	FOR-REV	205	SLOW-FAST	220	FAST-OFF-SLOW	305
FORWARD	106	RUN	121	HAND-AUTO	206	START-STOP	221	FOR-OFF-REV	306
HAND	107	SLOW	122	HIGH-LOW	207	STOP-START	222	LEFT-OFF-RIGHT	307
HIGH	108	START	123	JOG-RUN	208	UP-DOWN	223	LOWER-OFF-RAISE	308
IN	109	STOP	125	LEFT-RIGHT	209	OI (Int'l OFF ON)	250	OFF-MAN-AUTO	309
INCH	110	TEST	126	LOWER-RAISE	210			OFF-SLOW-FAST	310
JOG	111	UP	127	MAN-AUTO	211			OFF-1-2	311
LOW	112	I (Int'l On)	150	OFF-ON	212			OPEN-OFF-CLOSE	312
LOWER	113	O (Int'l Off)	151	ON-OFF	213			SLOW-OFF-FAST	313
OFF	114	EMO	152	OPEN-CLOSE	214			SUMMER-OFF-WINTER	314
ON	115			RAISE-LOWER	215			UP-OFF-DOWN	315
								1-OFF-2	316
								HAND-OFF-AUTO	317

- To order engraved nameplates, add legend code to nameplate part number.
- Character height based on the number of characters and size of nameplate. Standard character size is 3/16".
- Nameplates with standard legends are the same list price as blank nameplates.

## Nameplates Order Form — CW Series

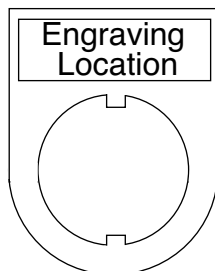
Copy this order form and use it to specify Letter Height, Custom Engravings, Location of Engraving on Nameplate, and Quantity Desired.

To ensure engraving accuracy, fax it to your IDEC representative or Distributor.

Your Company: \_\_\_\_\_  
 Name: \_\_\_\_\_  
 Telephone: \_\_\_\_\_  
 Fax & Email: \_\_\_\_\_

IDEC Rep/Distributor Contact: \_\_\_\_\_  
 PO number (if known): \_\_\_\_\_  
 IDEC Rep/Distributor Phone: \_\_\_\_\_  
 IDEC Rep/Distributor Fax & Email: \_\_\_\_\_

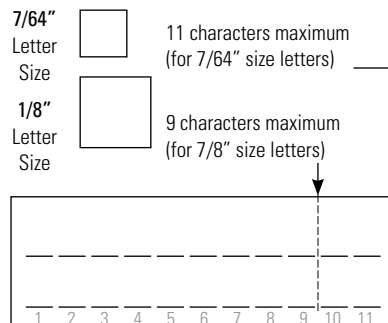
## CWAM Nameplate



**Step 1. Choose Letter Size - 7/64" or 1/8".**  
 Check the box for the letter size you want. Then write your lettering in box below the check boxes. Note: 1/8" size letters cannot exceed 9 characters.

**Step 2. Specify Quantity.**  
 Enter the number of nameplates desired in the box on the right.

Qty



Sample Letter Sizes  
 7/64" Letters: A B C D  
 1/8" Letters: A B C D

# Precautions & Instructions

## Safety Precautions

Turn off the power to CW series switches before installation, removal, wiring and maintenance. Failure to turn power off may cause electrical shocks or fire hazard.

When wiring, use wires of a proper size to meet the voltage and current requirements. Tighten the M3.5 terminal screws to a tightening torque of 1.0 to 1.3 N·m. Failure to tighten the terminal screws may cause overheating and fire.

## Operating Instructions

### Notes for Operation

When using the CW series switches in a safety-related circuit of a control system, observe safety rules and regulations of each country concerning particular applications of the actual machines and facilities. Perform risk assessment before operation to ensure safety.

### Operating Conditions

In corrosive gas or high-temperature, high-humidity environments, contact failure due to corrosion or color change or breakage of the housing may occur.

Main parts of the CW series switches are made of plastic. Do not scratch the surface with a sharp object or apply excessive electric shock or load, otherwise the switches may be damaged. In particular, keep the button, lens and bezel from such damage, otherwise appearance and function may be impaired.

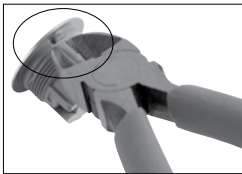
Do not apply detergents, cutting oils, or chemicals which may impair the function and appearance of the CW series switches.

### Panel Mounting

First remove the contact block and then the locking ring from the operator. Insert the operator into the panel cut-out from the front, tighten the locking ring from the back, then install the contact block to the operator.

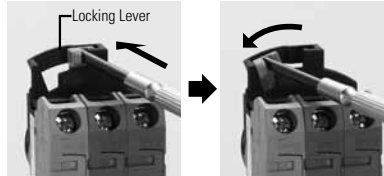
### Mounting Hole

1. Mounting hole dimensions are in compliance with IEC60947-5-1.
2. If the anti-rotation projection is removed from the bezel, CW series switches can be mounted in  $\varnothing 22.3\text{mm}$  mounting holes. To remove the anti-rotation projection, remove the gasket and use cutting pliers to break the projection.



### Removing and Installing the Contact Unit

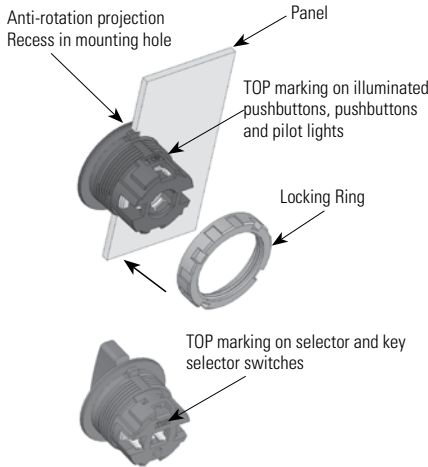
1. To remove the contact block from the operator, push the yellow locking lever and turn it to the left.



2. To install, align the TOP marking on the operator with the TOP marking on the contact block mounting adaptor, and turn the locking lever to the right.

### Installation in Panel Cut-out

Remove the locking ring from the operator. With the anti-rotation projection on the operator aligned with the recess in the mounting hole, insert the operator into the mounting hole. Tighten the locking ring from the rear of the panel.



### Note for Panel Mounting

When installing the operator in a panel cut-out, use the optional locking ring wrench (MW9Z-T1) to tighten the locking ring to a recommended tightening torque of 1.2 N·m. Do not use pliers and do not tighten excessively, otherwise the operator may be damaged.

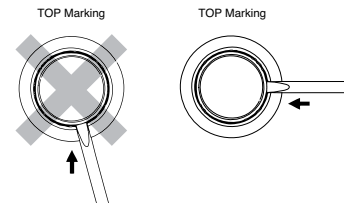
## Illuminated Pushbuttons and Pilot Lights

### Removing the Lens

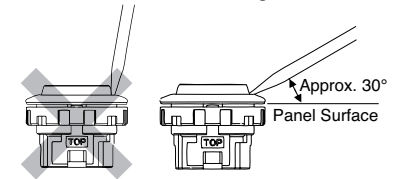
To remove the lens from an illuminated pushbutton or pilot light, insert a flat screwdriver under the flange of the lens at 90° from the TOP marking and twist the screwdriver.

Do not insert the screwdriver too far and do not apply excessive force to the lens, otherwise the bezel surface may be damaged.

### Screwdriver Insertion Direction

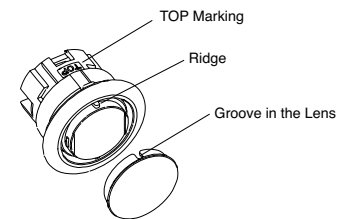


### Screwdriver Insertion Angle



### Installing the Lens

Turn the groove in the lens to the TOP marking on the operator housing. With the groove aligned with the ridge, press the lens in.



### Marking

Marking film can be applied for inscriptions or identification.

### Applicable Marking Film Size

Illuminated Pushbutton (Round Flush) Pilot Light (Round Flush, Round Extended)	Illuminated Pushbutton (Round Extended)

Thickness: 0.2 mm maximum

Film material: Polyester (recommended)

Note: Film is not supplied and must be provided by the user.

## Operating Instructions con't

### Pushbuttons

Pushbutton caps cannot be removed. Do not tamper with the cap using a screwdriver or pliers, otherwise it may be damaged.

### Selector Switches

Turn the selector operator or key to the detent positions.

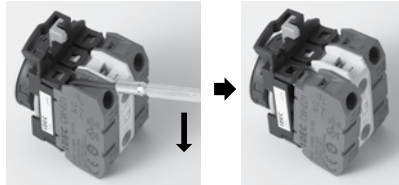
### Key Selector Switches

To prevent malfunction and damage, take the following precautions.

- Completely insert the key before turning.
- Do not remove the key while turning.
- Besides the standard key (0H), six other keys are available. Use only a key with a number that matches the number on the switches' key cylinder. (The standard key does not have a key number.)
- Keys are available in two shapes.
  - 0H (standard), 1H, 2H: reversible keys
  - 3H, 4H, 5H, 6H: non-reversible keys
 Make sure of correct insertion direction.

### Contact Blocks and LED Modules

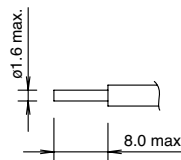
To remove the contact block from the operator, insert a flat screwdriver under the latch and push the screwdriver down as shown below. Before removing the LED module, first remove all contact blocks, and then remove the LED module in the same manner.



### Wiring

#### Applicable Wires

Stranded wire: 2.0 mm<sup>2</sup> maximum (14AWG)  
Solid wire:  $\phi$ 1.6 mm maximum

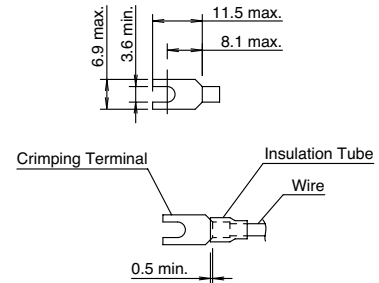


One or two wires can be connected to the terminal.

### Applicable Crimping Terminals

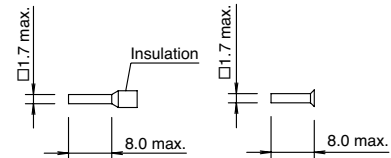
#### Spade terminal

When using crimping terminals, be sure to use insulating tubes or insulated crimping terminals.



#### Ferrule

When connecting two ferrules to one terminal, use ferrules without insulation.



When using spade terminals or ferrules, ensure that they are inserted completely. Ring terminals cannot be used.

#### Screw Tightening Torque

Tighten the M3.5 terminal screws to a recommended torque of 1.0 to 1.3 N·m.

800.262.4332

www.IDEC.com/switches

# 16mm LB Series Miniature Switches

With a choice of metallic or black plastic bezels, and flush or standard mounting, our newest miniature flush mount switches add style and safety to any application. All LB switches are UL recognized, TUV approved, CSA certified and CE marked, as well as provide an IP65 degree of protection. Available in illuminated pushbuttons, pushbuttons, pilot lights, selector switches and key selector switches, these switches are perfect for use with instrumentation, communication equipment, computer peripheral, telecom, medical equipment, food and beverage processing equipment, semi-conductor equipment, non-industrial applications (train cab, parking machines, audio/visual equipment), panels and more!



*Think Automation and beyond...*

800.262.4332

[www.IDEC.com/switches](http://www.IDEC.com/switches)

[www.IDEC.com](http://www.IDEC.com)

## USA

**IDEC Corporation**  
Tel: (408) 747-0550  
[opencontact@IDEC.com](mailto:opencontact@IDEC.com)

## Canada

**IDEC Canada Ltd.**  
Tel: (905) 890-8561  
[sales@ca.IDEC.com](mailto:sales@ca.IDEC.com)

## Australia

**IDEC Australia Pty. Ltd.**  
Tel: +61-3-8523-5900  
[sales@au.IDEC.com](mailto:sales@au.IDEC.com)

## Japan

**IDEC Corporation**  
Tel: +81-6-6398-2571  
[marketing@IDEC.co.jp](mailto:marketing@IDEC.co.jp)

## United Kingdom

**IDEC Electronics Ltd.**  
Tel: +44-1256-321000  
[sales@uk.IDEC.com](mailto:sales@uk.IDEC.com)

## Germany

**IDEC Elektrotechnik GmbH**  
Tel: +49-40-253054-0  
[service@IDEC.de](mailto:service@IDEC.de)

## Hong Kong

**IDEC (H.K.) Co., Ltd.**  
Tel: +852-2803-8989  
[info@hk.IDEC.com](mailto:info@hk.IDEC.com)

## China/Beijing

**IDEC (Beijing) Corporation**  
Tel: +86-10-6581-6131

## China/Shanghai

**IDEC (Shanghai) Corporation**  
Tel: +86-21-6135-1515  
[idec@cn.IDEC.com](mailto:idec@cn.IDEC.com)

## China/Shenzhen

**IDEC (Shenzhen) Corporation**  
Tel: +86-755-8356-2977

## Singapore

**IDEC Asia Pte. Ltd.**  
Tel: +65-6746-1155  
[info@sg.IDEC.com](mailto:info@sg.IDEC.com)

## Taiwan

**IDEC Taiwan Corporation**  
Tel: +886-2-2698-3929  
[service@tw.IDEC.com](mailto:service@tw.IDEC.com)

©2013 IDEC Corporation. All Rights Reserved.  
Catalog No. CW9Y-B100-1 09/11 (PDF updated 08/13) 7.5K

Specifications and other descriptions in this catalog are subject to change without notice.