

D-Sub Metalized Cover, Top cable entry + Long jackscrews

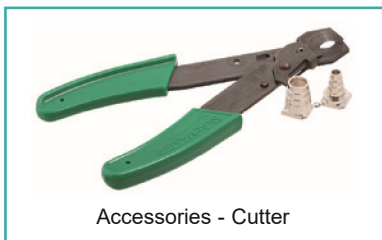
TECHNICAL SPECIFICATIONS

Material: Polyamid, UL-recognised
 Operating Temperature: -55°C to +110°C
 Cable Entry: Top
 Thumbscrews: Long
 UNC 4-40 (Standard)
 M2,5 or M3 on request
 Cable O.D: Up to 11,5mm

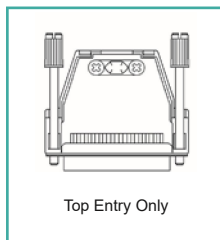


Features:

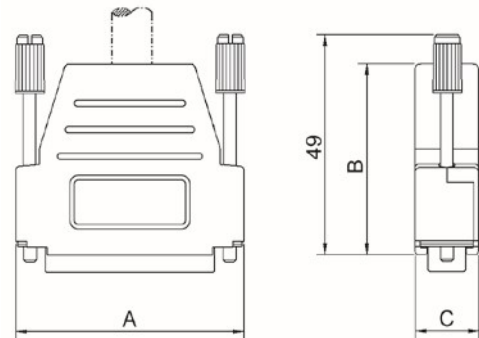
- Metalized plastic cover, Top
- Available in sizes 9-15-25
- Suitable for any common Sub-D connector
- Quick-snap locking system
- Re-openable
- Company logo available upon request
- Jackscrews 9-way
 1 long jackscrew
- Jackscrews 15-25-way
 2 long jackscrews



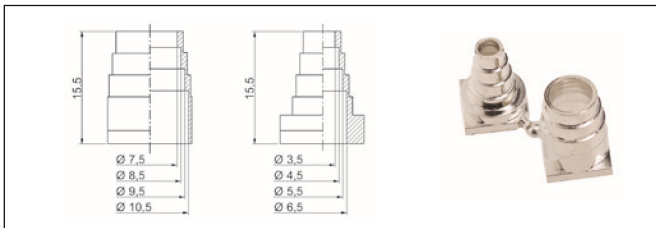
Accessories - Cutter



Top Entry Only



Metalized grommet set



Size DSSK-P	Dim A	Dim B	Dim B	DimC
9-way	31,5	40,0	43,0*	15,0
15-way	40,0	40,0	-	15,0
25-way	53,5	43,0	-	15,0

* Top only

Ordering information:

Size:	P/N - Kitted:	Product Code:
9-way	6260-0106-21	DSSK-M-09-T-K
15-way	6260-0106-22	DSSK-M-15-T-K
25-way	6260-0106-23	DSSK-M-25-T-K

Size:	P/N - BULK:	Product Code:
9-way	6261-0106-21	DSSK-M-09-T
15-way	6261-0106-22	DSSK-M-15-T
25-way	6261-0106-23	DSSK-M-25-T



Encitech AB
 Rörkullsvägen 4
 SE-302 41 HALMSTAD, Sweden

Tel: +46-(0)35-15 13 90
 e-mail: connectors@encitech.com

www.encitech.com