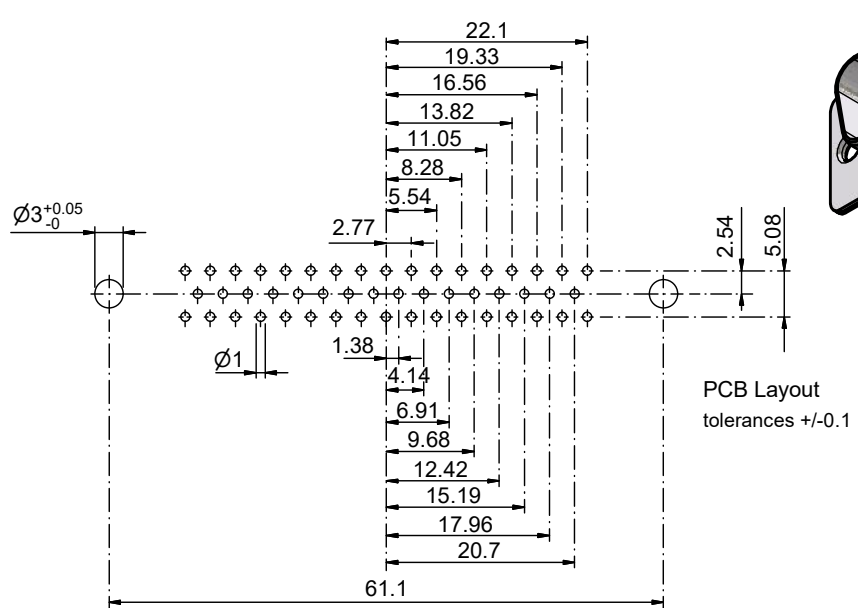
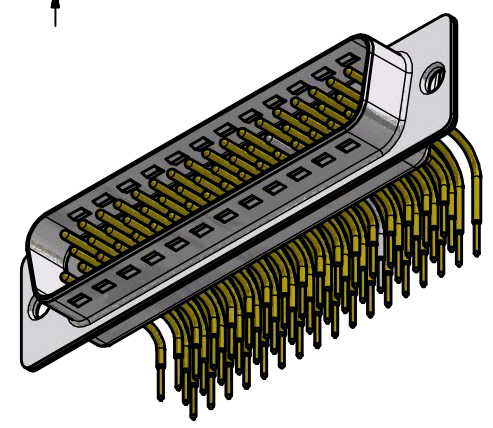
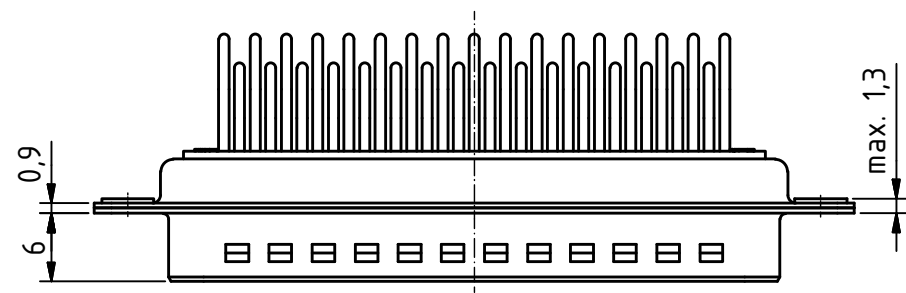
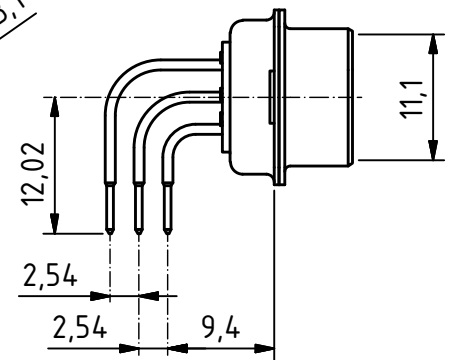
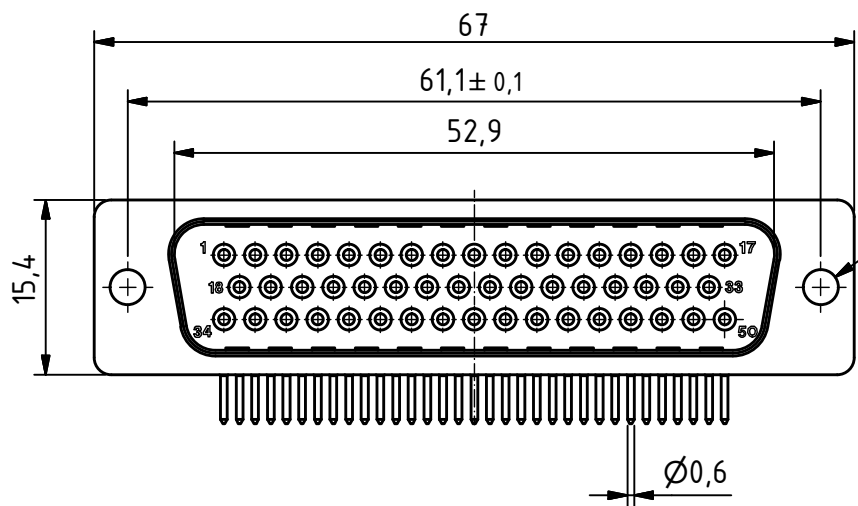


RoHS compliant



PCB Layout tolerances +/-0.1

MATERIALS

- Insulator: Thermoplastic UL 94-V-0 white
- Contact: Machined / Copper alloy
- Contact finish: Quality class 2
- Shell: steel tin plated

CHARAKTERISTICS

- Working voltage: 125V
- Current rating: 7.5A
- Contact resistance: max. 10mΩ - DIN41652
- Insulation resistance: >5GΩ
- Temperature range: -55° to +125°C

Product is suitable for Wave Solder Process

General tolerances (Deltron standard)			
size in mm	> 0.5 up to 3	> 3 up to 6	> 6 up to 30
tolerances	±0.1	±0.2	±0.2
			±0.3

	All dimensions in mm	Rev. a) 20.02.2007 mr	Rev.	Rev.	DE001319		
		Rev.	Rev.	Rev.	part no.		
DTS50PYC/2				1.5:1 scale	drawn	17.02.2006	nf
					checked		
				Industrie Neuhof 8c CH-3422 Kirchberg www.d-sub.swiss	K050079 a		
					drawing no.		