



Catalog

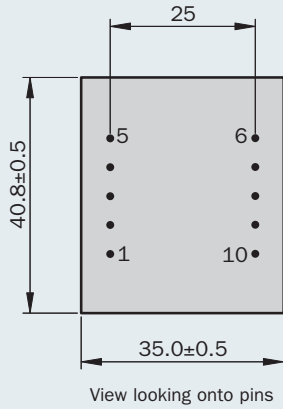


HAHN QUALITY
Performance that builds trust.



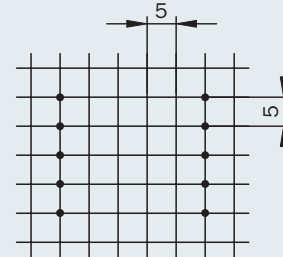
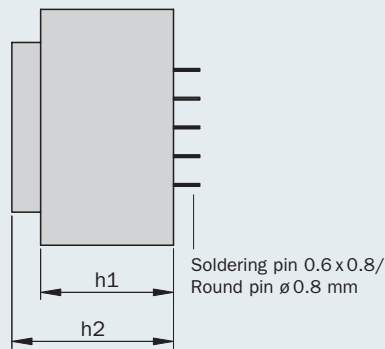
- Capacity up to 6.0 VA
- Non short-circuit-proof at temperature class ta 70 °C/B
- Standard type '0' cast housing
- Test certifications to ENEC 10-, VDE-, CSA- and UL-regulations*
- with VDE certificate for glow wire test in accordance to standard EN 60335-1:2005
- Excellent temperature fluctuation resistance properties
- High electrical safety and long service-life features
- High voltage resistance
- Self-extinguishing cast housing and sealing material
- Certified item quality tested

Primary protection by means of transformer heat coils to IEC 127 standards or secondarily with PTC resistances.



View looking onto pins

Type '0' cast housing without fixing straps



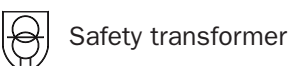
EI 38/13.6

Dimensions without tolerances ± 0.3 mm, Rights to make alterations and improvements hereby reserved

Frame size/Core height	Output ta 70 °C/B	h1 (mm)	h2 (mm)	Weight	Packaging unit
BV EI 382/13.6 mm	4.5 VA	23.1 mm	28.1 mm	0.150 kg	32/40 pieces*

* it depends on kind of packaging

Order No.	Total output VA	Frame Size	Primary voltage V	Connecting pins prim.	Secondary voltage V	Current sec. mA	Connecting pins sec.	No-load voltage V
BV EI 382 1185	4.5	2	230	1-5	1 x 6	750	7-9	1 x 9.7
BV EI 382 1186	4.5	2	230	1-5	2 x 6	375	6-7/9-10	2 x 9.2
BV EI 382 1187	4.5	2	230	1-5	1 x 7.5	600	7-9	1 x 10.6
BV EI 382 1188	4.5	2	230	1-5	2 x 7.5	300	6-7/9-10	2 x 10.9
BV EI 382 1189	4.5	2	230	1-5	1 x 9	500	7-9	1 x 13.0
BV EI 382 1190	4.5	2	230	1-5	2 x 9	250	6-7/9-10	2 x 13.0
BV EI 382 1191	4.5	2	230	1-5	1 x 12	375	7-9	1 x 17.0
BV EI 382 1192	4.5	2	230	1-5	2 x 12	187	6-7/9-10	2 x 18.4
BV EI 382 1193	4.5	2	230	1-5	1 x 15	300	7-9	1 x 20.8
BV EI 382 1194	4.5	2	230	1-5	2 x 15	150	6-7/9-10	2 x 21.2
BV EI 382 1195	4.5	2	230	1-5	1 x 18	250	7-9	1 x 24.4
BV EI 382 1196	4.5	2	230	1-5	2 x 18	125	6-7/9-10	2 x 24.9
BV EI 382 1197	4.5	2	230	1-5	1 x 24	187	7-9	1 x 33.5



* UL on request

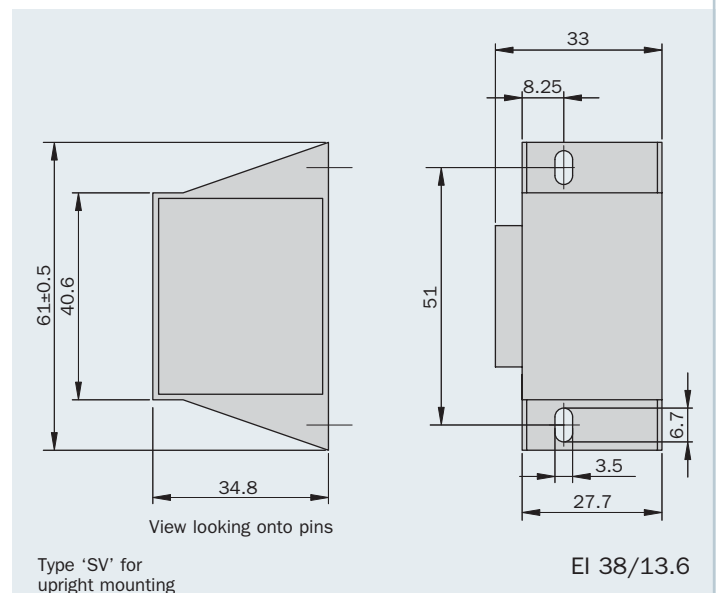
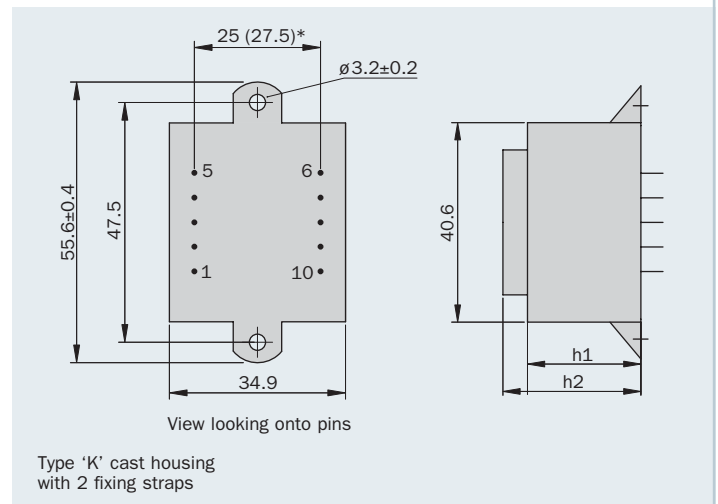
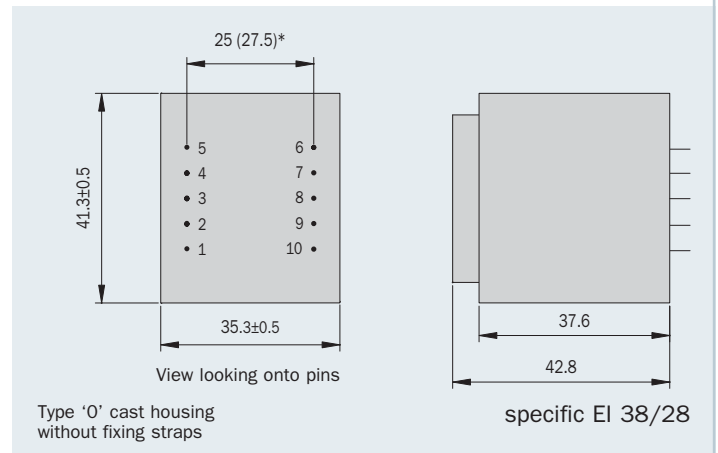


Individual EI 38 transformer version

Frame size/Core height	Output ta 70 °C/B	h1 (mm)	h2 (mm)	Weight	Packaging unit
BV EI 381 / 7.5 mm	2.5 VA	17.3 mm	22.1 mm	0.100 kg	40 pieces
BV EI 382 / 13.6 mm	4.5 VA	23.1 mm	28.1 mm	0.150 kg	40 pieces
BV EI 383 / 16.5 mm	6.0 VA	25.9 mm	30.8 mm	0.250 kg	60 pieces
BV EI 384 / 28.0 mm	9.0 VA	37.6 mm	42.8 mm	0.280 kg	–

EI 38 transformers, custom-made versions.

Parallel to the cataloged EI 38 series transformers, HAHN also produces other variants, e.g. with integrated thermo fuse or thermo switch, other housing-, fixing- and connective options as well as non-encapsulated transformers.



Dimensions in drawings:

- without tolerances ± 0.3 mm
- Soldering pins 0.6 x 0.8 mm/Round pin $\varnothing 0.8$ mm
- *alternative version with connecting grid 27.5 mm



HAHN QUALITY

Performance that builds trust.

HAHN GmbH & Co. KG
Bellersheimer Straße 45
D-35410 Hungen/Trais-Horloff
Phone: 00 49 (0) 64 02 / 8 08-0
Fax: 00 49 (0) 64 02 / 8 08-60
info@hahn-trafo.de
www.hahn-trafo.com