

Product Data Sheet RER160-28/14N/2TDA

**ebmpapst**

The engineer's choice



## RER160-28/14N/2TDA

## INDEX

<b>1</b>	<b>General</b> .....	<b>3</b>
<b>2</b>	<b>Mechanics</b> .....	<b>3</b>
2.1	General.....	3
2.2	Connections.....	3
<b>3</b>	<b>Operating Data</b> .....	<b>4</b>
3.1	Electrical Interface - Input.....	4
3.2	Electrical Operating Data .....	5
3.3	Electrical Interface - Output.....	7
3.4	Electrical Features .....	7
3.5	Aerodynamics.....	9
3.6	Sound Data.....	11
<b>4</b>	<b>Environment</b> .....	<b>11</b>
4.1	General.....	11
4.2	Climatic Requirements .....	11
<b>5</b>	<b>Safety</b> .....	<b>12</b>
5.1	Electrical Safety .....	12
5.2	Approval Tests.....	12
<b>6</b>	<b>Reliability</b> .....	<b>12</b>
6.1	General.....	12

## 1 General

Fan type	Blower without chassis with intake nozzle	
Rotating direction looking at rotor	Counterclockwise	
Airflow direction	Air in axially, Air out radially	
Bearing system	Ball bearing	
Mounting position - shaft	Any	

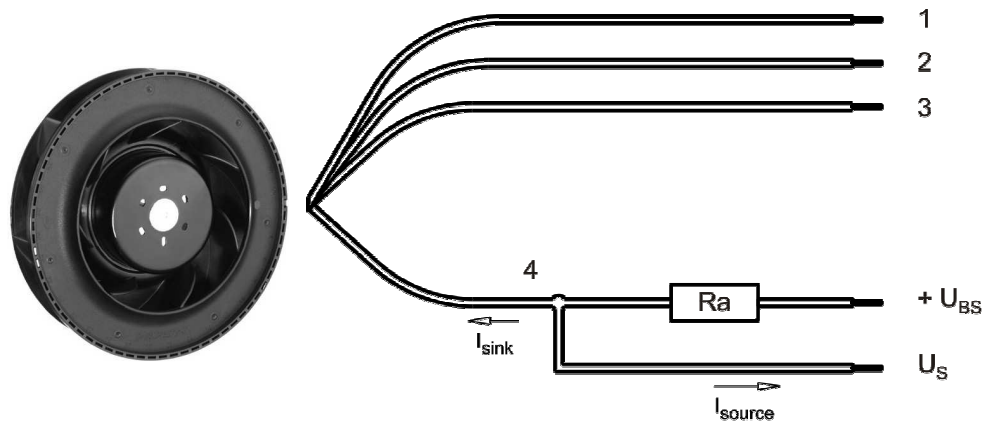
## 2 Mechanics

### 2.1 General

Depth	50,3 mm	
Diameter	165,0 mm	
Mass	0,600 kg	
Housing material		
Impeller material	Plastic	

### 2.2 Connections

Electrical connection	Wires	
Lead wire length	L = 425 mm	
Tolerance	+/- 10 mm	
Tube length	S = 119 mm	
Tolerance	+/- 5 mm	



Wire	Color	Operation	Wire size	Insulation diameter
1	red	+ UB	AWG 22	1,70 mm
2	blue	- GND	AWG 22	1,70 mm
3	violet	CONTR	AWG 22	1,70 mm
4	white	Tacho	AWG 22	1,70 mm

The auxiliaries shown on the schematic diagram (which are required for the intended use) are not part of our delivery.

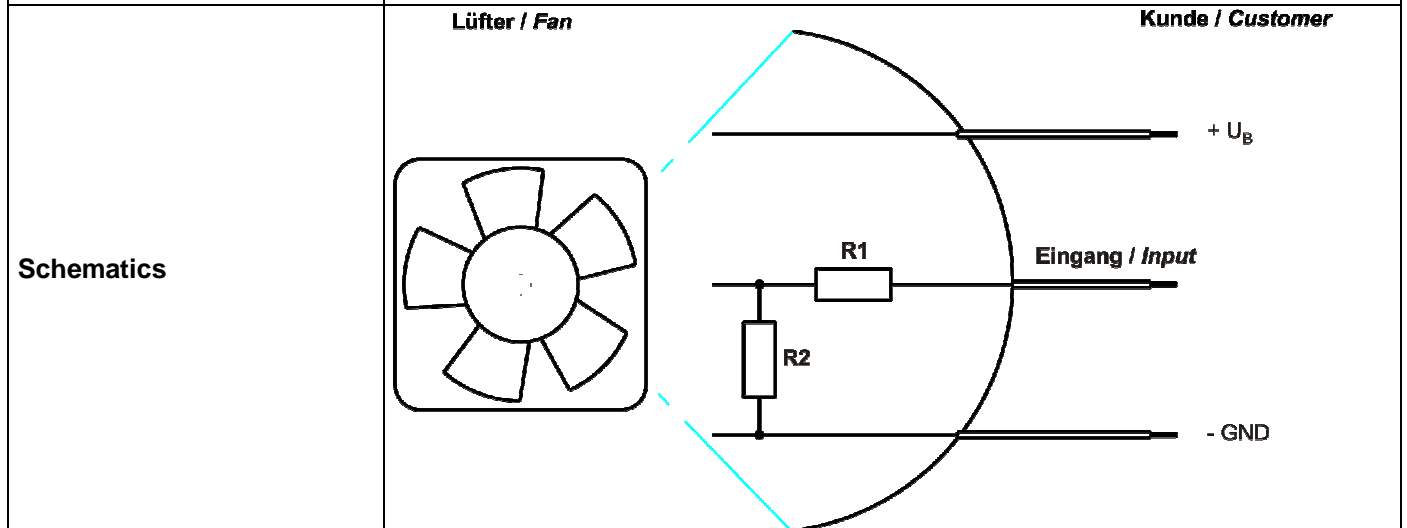
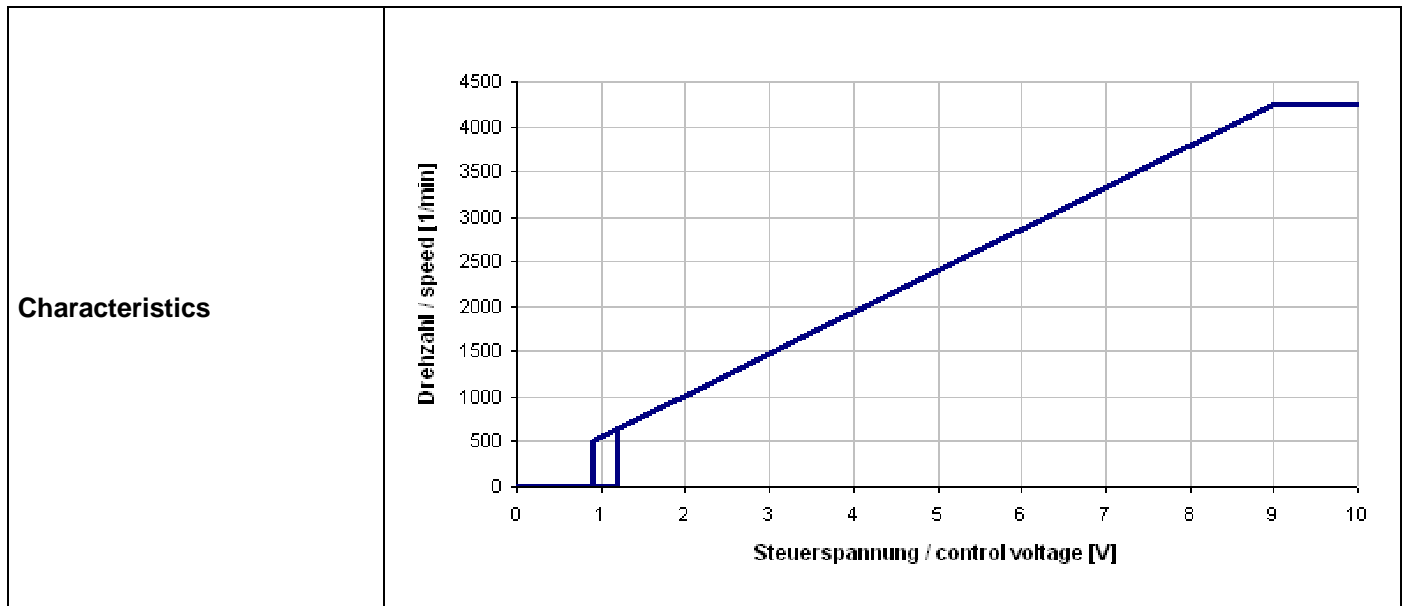
3 Operating Data

3.1 Electrical Interface - Input

Control input	Analog
---------------	--------

Features

Input voltage range	0 V - 10 V
---------------------	------------



speed control: About setpoint with control voltage U Contr. 0 .. 10 V + - 0.1V

### 3.2 Electrical Operating Data

Measurement conditions: Normal air density = 1,2 kg/m<sup>3</sup>; Temperature 23°C +/- 3°C; Motor axis horizontal; warm-up time before measuring 5 minutes (unless otherwise specified).  
In the intake and outlet area should not be any solid obstruction within 0,5 m.

Measurement setup:	Measured between two steel plates
Steel plate:	260 mm x 260 mm
Intake nozzle:	D: 100,0 mm; R: 5,0 mm
Distance between bottom and top plate:	52,6 mm
Overlapping impeller / nozzle:	2,0 mm

$\Delta p = 0$ : corresp. to free air flow (see chapter aerodynamics)  
I: corresp. to arithm. mean current value

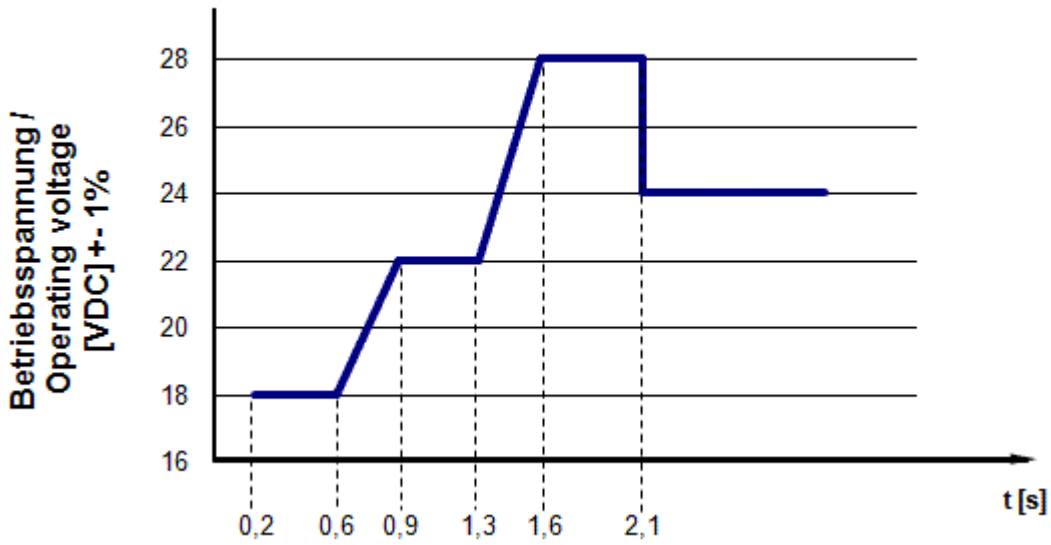
Name	Condition
U Contr. 0001	U Contr.: 10 V

Features	Condition	Symbol	Values		
Voltage range		U	16 V		28 V
Nominal voltage		$U_N$		24 V	
Power consumption	$\Delta p = 0$	P	49,6 W	51 W	50,4 W
Tolerance	U Contr. 0010		+/- 15,0 %	+/- 15,0 %	+/- 15,0 %
Current consumption	$\Delta p = 0$	I	3.100 mA	2.125 mA	1.800 mA
Tolerance	U Contr.0010		+/- 15,0 %	+/- 15,0 %	+/- 15,0 %
Speed	$\Delta p = 0$	n	4.200 1/min	4.200 1/min	4.200 1/min
Tolerance	U Contr. 0010		+/- 7,5 %	+/- 7,5 %	+/- 7,5 %

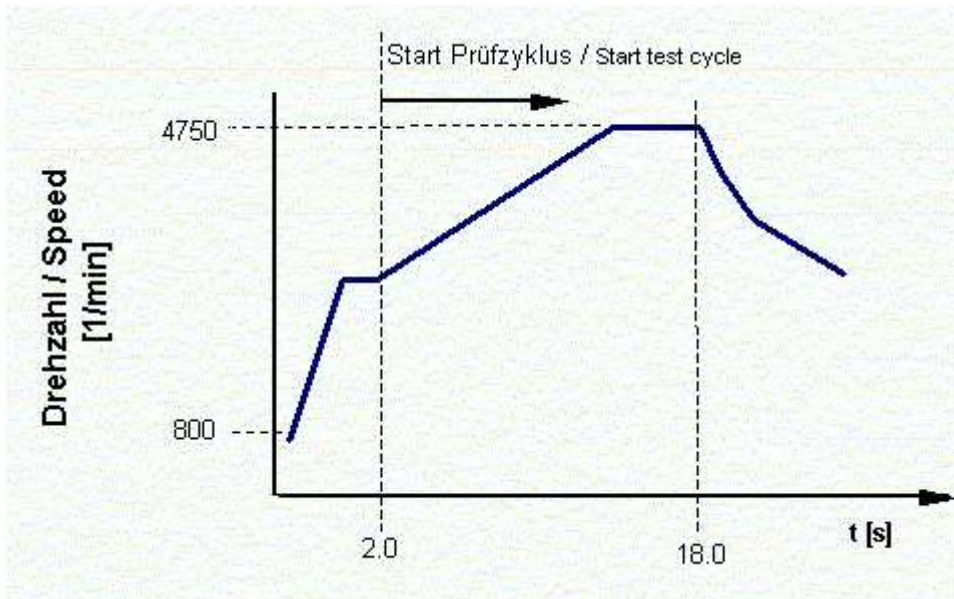
#### Motor testing

The motor testing relates to a fan, operating with horizontal shaft, at free air flow. It is possible to run this motor in an uncontrolled state. For some testings the motor may set in a test cycle by connecting to a voltage follower as below mentioned.

#### Voltage graph to start the test cycle



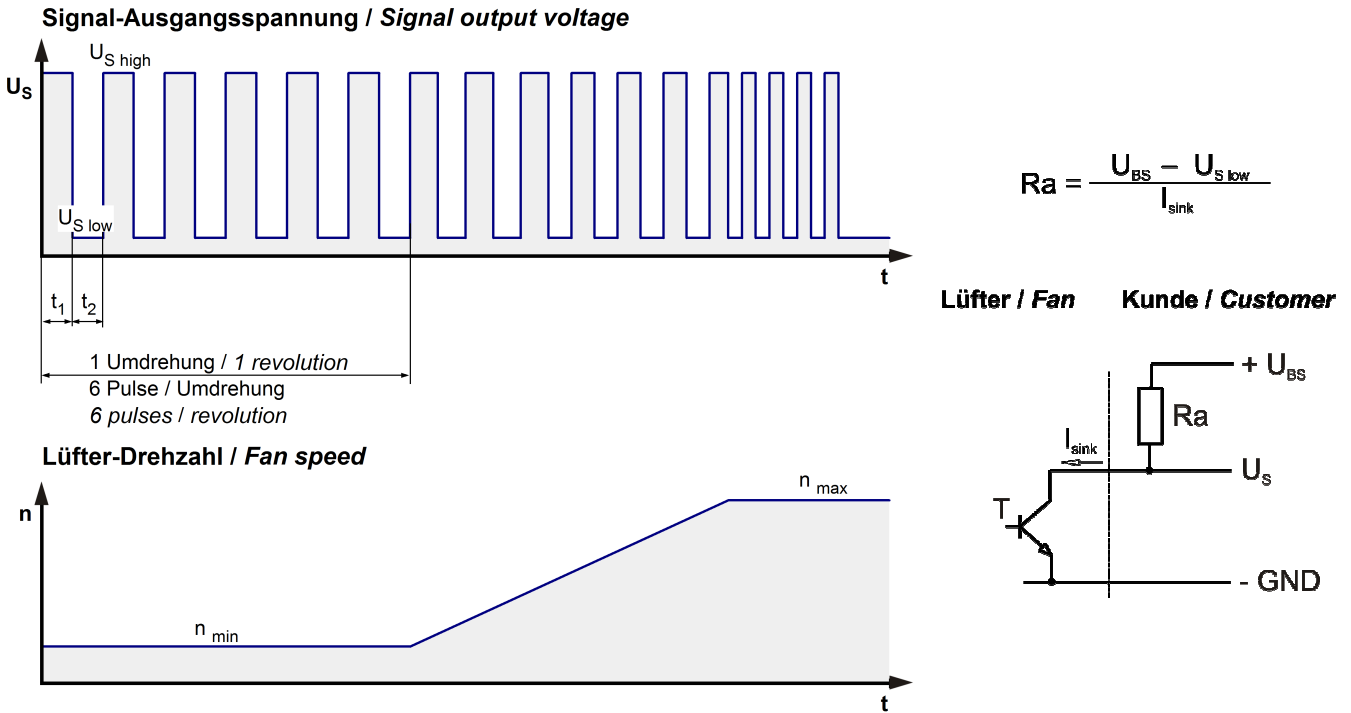
Speed graph after starting the test cycle



Voltage	24 V
Power consumption	93,6 W
Tolerance	+ - 15 %
Current consumption	3.900 mA
Tolerance	+ - 15 %
Speed	4.750 1/min
Tolerance	+ - 10 %

### 3.3 Electrical Interface - Output

Tacho type	/2 (open collector)
------------	---------------------

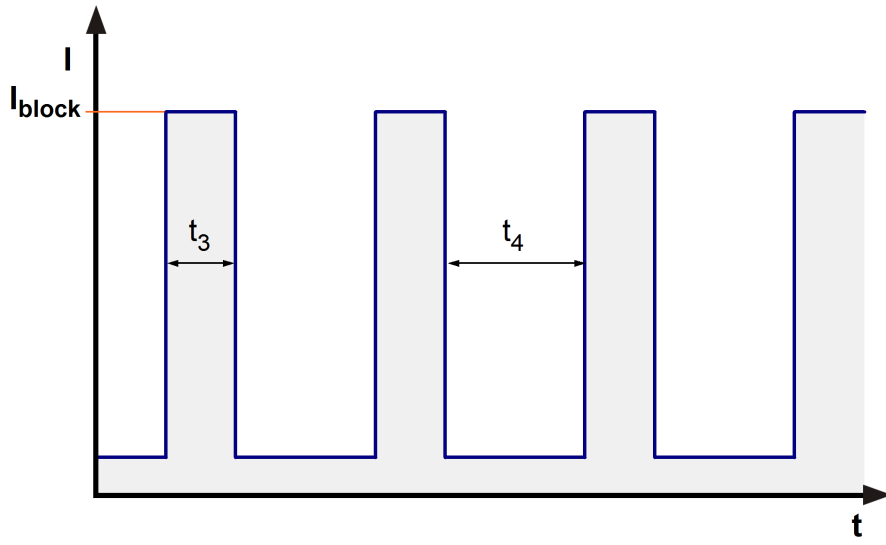


Features	Note	Values
Tacho operating voltage	$U_{BS}$	$\leq 40\text{ V}$
Tacho signal Low	$U_{S\ low}$	$\leq 0,4\text{ V}$
Tacho signal High	$U_{S\ high}$	$40,0\text{ V}$
Maximum sink current	$I_{sink}$	$\leq 4\text{ mA}$
External resistor	External resistor $R_a$ from $U_{BS}$ to $U_S$ required. All voltages measured to GND.	
Tacho frequency	$(6 \times n) / 60$	
Tacho isolated from motor	No	
Slew rate		$\Rightarrow 0,5\text{ V/us}$

$n$  = revolutions per minute (1/min)

### 3.4 Electrical Features

Electronic function	Speed-Controlled	
Reversed polarity protection	Rectifying diode	
Max. residual current at $U_N$	$I_F \leq 10\text{ mA}$	
Locked rotor protection	Auto restart	
Locked rotor current at $U_N$	$I_{block}$	
Clock signal at locked rotor	$t_3 / t_4$ typical: $1\text{ s} / 3,1\text{ s}$	





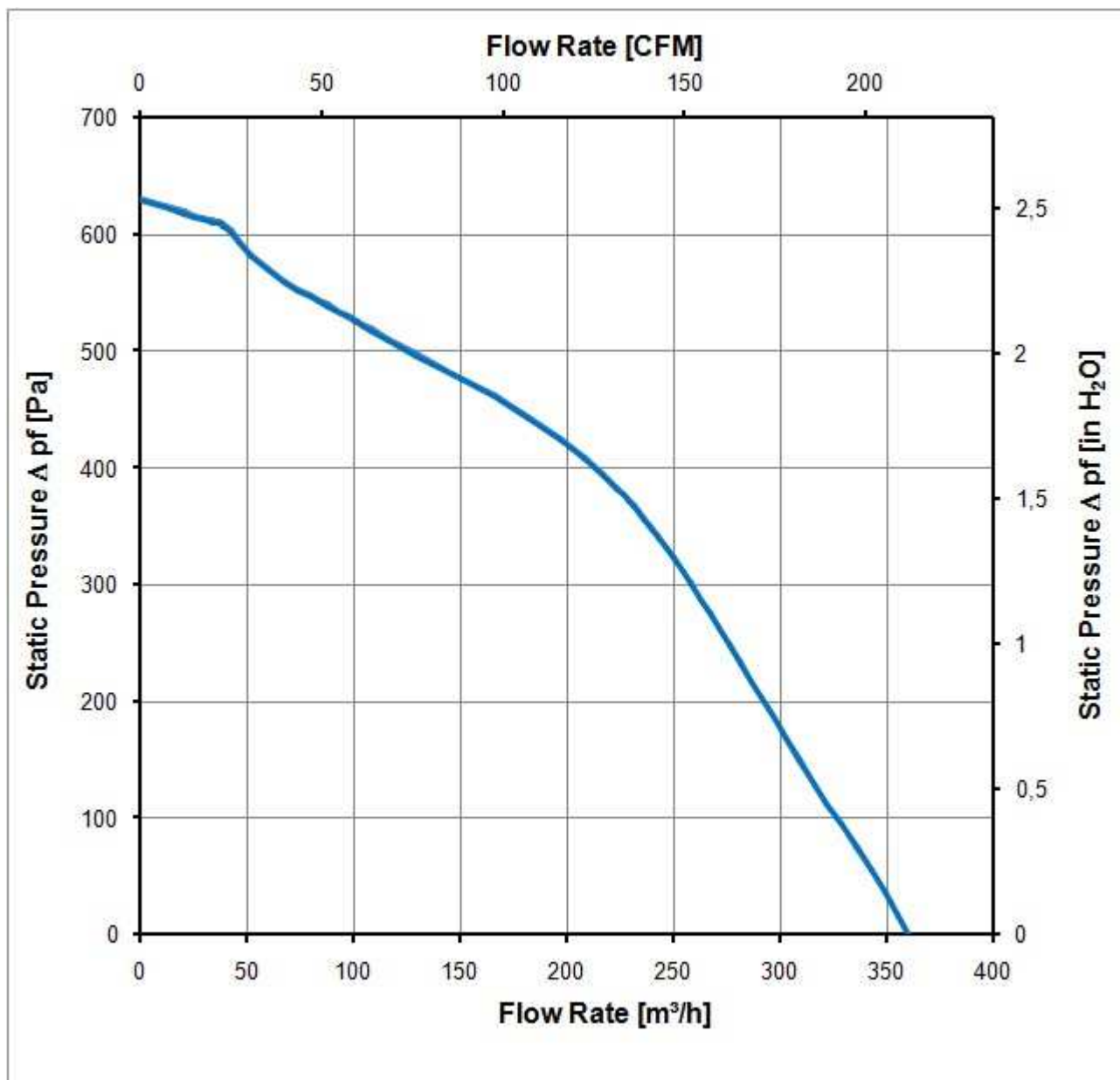
### 3.5 Aerodynamics

Measurement conditions: Measured with a double chamber intake rig acc. to DIN EN ISO 5801.  
 Normal air density = 1,2 kg/m<sup>3</sup>; Temperature 23°C +/- 3°C;  
 In the intake and outlet area should not be any solid obstruction within 0,5 m. Motor shaft horizontal.  
 The information is only valid under the specified test conditions and may be changed by the installation conditions. If there are deviations from the standard test conditions, the characteristic values must be checked under the installed conditions.

Measurement setup:	Measured between two steel plates
Steel plate:	260 mm x 260 mm
Intake nozzle:	D: 100,0 mm; R: 5,0 mm
Distance between bottom and top plate:	52,6 mm
Overlapping impeller / nozzle:	2,0 mm

a.) Operation condition:

4.200 1/min at free air flow	U Contr. 10 V		
Max. free-air flow ( $\Delta p = 0 / \dot{V} = \max.$ )		360 m <sup>3</sup> /h	
Max. static pressure ( $\Delta p = \max. / \dot{V} = 0$ )		630 Pa	



**3.6 Sound Data**

Measurement conditions: Sound pressure level: 1 meter distance between microphone and the air intake.  
 Sound power level: Acc. to DIN 45635 part 38 (ISO 10302)  
 Measured in a semianchoic chamber with a background noise level of  $L_p(A) < 5 \text{ dB(A)}$   
 For further measurement conditions see chapter aerodynamics.

a.) Operation condition:

4.200 1/min at free air flow	U Contr. 10 V		
------------------------------	---------------	--	--

Optimal operating point	225,0 m3/h @ 333 Pa	
Sound power level at the optimal operating point	7,4 bel(A)	
Sound pressure level at free air flow, measured in rubber bands		

**4 Environment**

**4.1 General**

Min. permitted ambient temperature TU min.	-20 °C	
Max. permitted ambient temperature TU max.	60 °C	
Min. permitted storage temperature TL min.	-40 °C	
Max. permitted storage temperature TL max.	80 °C	

**4.2 Climatic Requirements**

Humidity requirements	humid heat, constant; according to DIN EN 60068-2-78, 14 days	
Water exposure	None	
Dust requirements	None	
Salt fog requirements	None	

Permitted application area:

The product is intended for use in sheltered rooms with controlled temperature and controlled humidity. Directly exposure to water must be avoided.

Pollution degree 1 (according DIN EN 60664-1)

There is either no pollution or it occurs only dry, non-conductive pollution. The pollution has no negative impact.

Please require severity levels and specification parameters from the responsible development departments.

**5 Safety**

**5.1 Electrical Safety**

Dielectric strength DIN EN 60950 (VDE 0805) and DIN EN 60335 (VDE 0700) A.) Type test Measuring conditions: After 48h of storage at 95% R.H. and 25°C. No arcing or breakdown is allowed! All connections together to ground.	500 VAC / 1 Min.	
B.) Routine test Measuring conditions: At indoor climate. No arcing or breakdown is allowed! All connections together to ground.	850 VDC / 1 Sec.	
Isolation resistance Measuring conditions: After 48h of storage at 95% R.H. and 25°C measured with U=500 VDC for 1 min.	RI > 10 MOhm	
Clearance / creepage distance	1,0 mm / 1,2 mm	
Protection class	III	

**5.2 Approval Tests**

CE	EC Declaration of Conformity	Yes
EAC	Eurasian Conformity	Yes
UL	Underwriters Laboratories	Yes / UL507, Electric Fans
VDE	Association for Electrical, Electronic and Information Technologies	Yes / Approval acc. to EN 60950 (VDE 0805) - Information technology equipment
CSA	Canadian Standards Association	Yes / C22.2 No. 113 Fans and Ventilators
CCC	China Compulsory Certification	Not applicable

The approval tests are observed to:

U approval max.:28,0 V @ TU approval max.: 60,0 °C

**6 Reliability**

**6.1 General**

Life expectancy L10 at TU = 40 °C	55.000 h	
Life expectancy L10 at TU max.	27.500 h	
Life expectancy L10 acc. to IPC 9591 at TU = 40 °C	92.5 00 h	

