

# Keylock Switch

## Features

- Silver plated contacts and terminals
- Positive detent
- RoHS / REACH compliant
- Hex nut mounted
- 100 combinations available



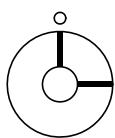
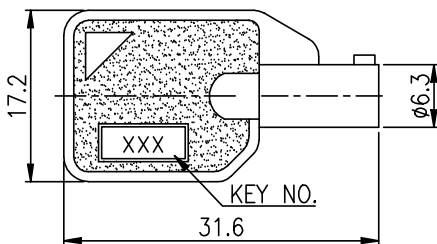
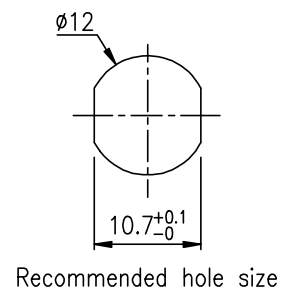
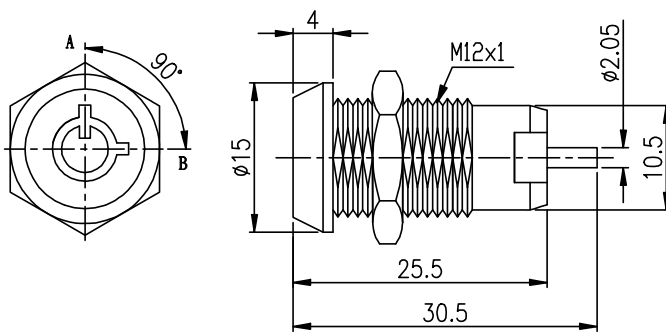
## Specification

Switching Configuration	1NO
Current Rating	200 mA
Contact Voltage	125 VAC
Number of Positions	2 Positions (OFF-ON)
Number of Terminals	2 Terminals
Contact Resistance	50 mOhm max.
Insulation Resistance	100 MOhm min. (500 VDC)
Dielectric Strength	800 VAC 1 min.

## Material Specification

Housing and Cylinder	Die Cast Zinc Alloy, Nickel Plated
Keys	Zinc Alloy, Nickel Plated
Terminals	Silver Plated
Contacts	Silver Plated

## Drawing



**KEY-PULL FIGURES**  
 ○ - Off Position  
 I - Indicates key-pull  
 • - Indicates No key-pull

Fig. 2

**Art. Nr.**  
**RND 210-00798**