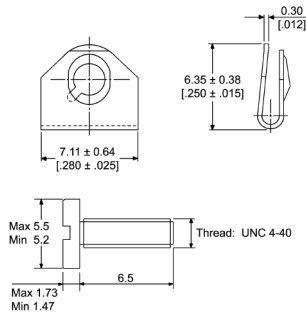


# ACCESSORIES

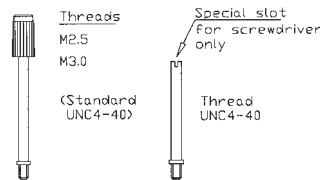
## Retainer Clips



**For D-Sub mounting**

**Order Code:**  
2170-0100-01

## Locking Screws



**Jackscrews for D-Sub Hoods**

**Available types:**

- Full Metal Jackscrews
- Colour Coded Jackscrews
- Short Jackscrews
- Long Jackscrews

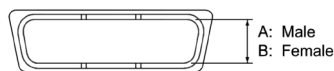
**Threads:**

- UNC 4-40
- M2.5
- M2.6
- M3.0

## Dust Covers – MHDC-Series



Dust covers in Transparent PE  
Available in sizes 9, 15, 25 & 37.  
Size 50 on request.



**Order Code:** MHDC-15-P  
09, 15, 25, 37 or 50-way \_\_\_\_\_  
P = Male \_\_\_\_\_  
S = Female \_\_\_\_\_

Size	A	B
9-way	9,5	8,2
15-way	9,5	8,2
25-way	9,5	8,2
37-way	9,5	8,2
50-way	12,0	10,7

## Cable Entry Sealing



Please contact us for more information.