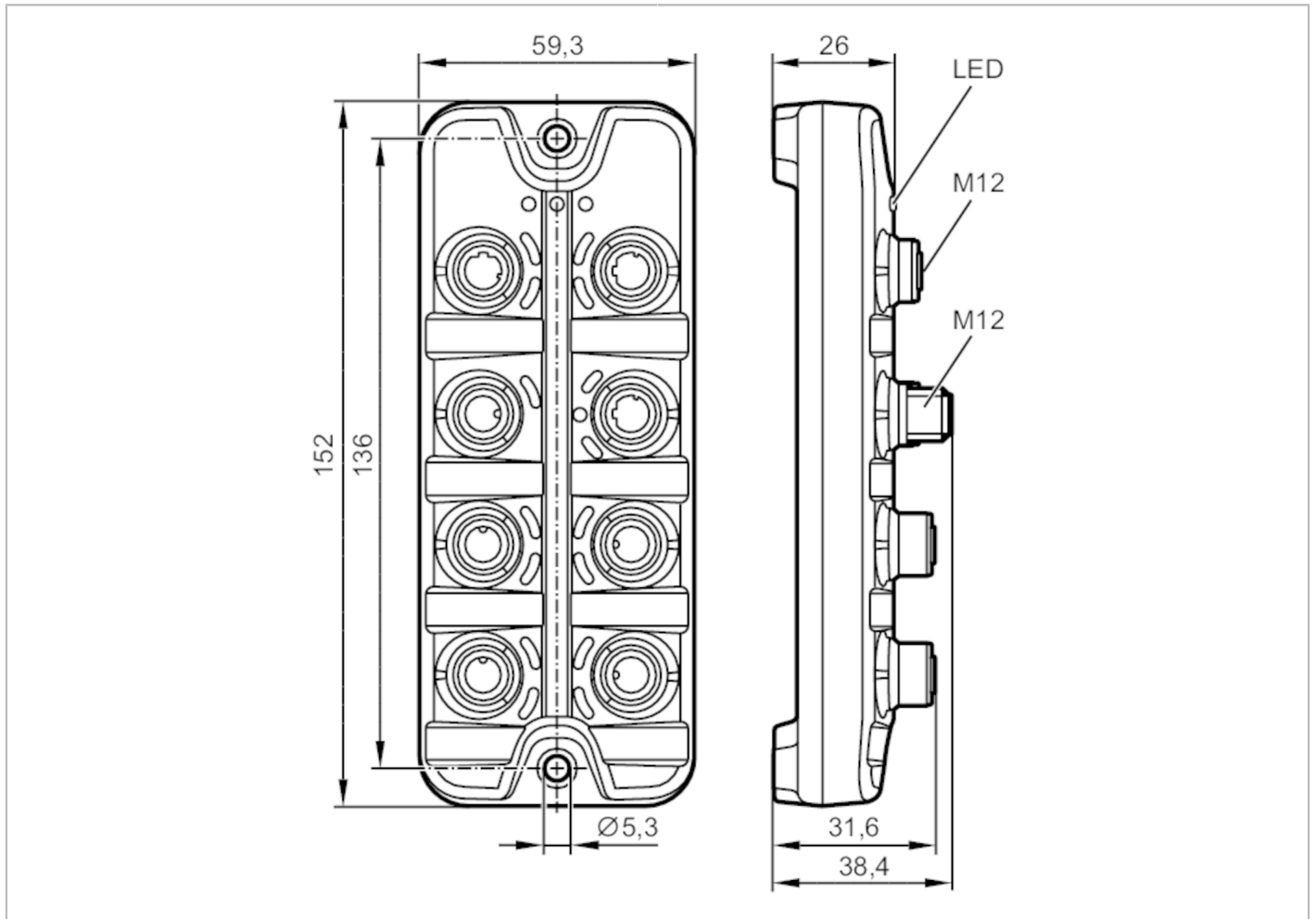


AL1301



IO-Link master with PROFINET interface

IO-Link Master DL PN 4P IP69K



| Application | |
|------------------------------------|---|
| Application | hygienic systems; I/O modules for field applications |
| Daisy-chain function | fieldbus interface |
| Electrical data | |
| Operating voltage [V] | 20...28 DC; (US; to SELV/PELV) |
| Current consumption [mA] | 300...3900; (US) |
| Protection class | III |
| Sensor supply US | |
| Max. current load total [A] | 3.6 |
| Inputs / outputs | |
| Total number of inputs and outputs | 8; (configurable) |
| Number of inputs and outputs | Number of digital inputs: 8; Number of digital outputs: 4 |



IO-Link master with PROFINET interface

IO-Link Master DL PN 4P IP69K

| Inputs | |
|---|---|
| Number of digital inputs | 8; (IO-Link Port Class A: 4 x 2) |
| Switching level high [V] | 11...28 |
| Switching level low [V] | 0...5 |
| Digital inputs protected against short circuits | yes |
| Outputs | |
| Number of digital outputs | 4; (IO-Link Port Class A: 4 x 1) |
| Max. current load per output [mA] | 300 |
| Short-circuit proof | yes |
| Interfaces | |
| Communication interface | Ethernet; IO-Link |
| Note on interfaces | Secure protocol; HTTPS |
| Ethernet - Internet of Things | |
| Transmission standard | 10Base-T; 100Base-TX |
| Transmission rate | 10; 100 |
| Protocol | MQTT JSON |
| Factory settings | IP address: 169.254.x.x |
| | subnet mask: 255.255.0.0 |
| | gateway IP address: 0.0.0.0 |
| | MAC address: see type label |
| Ethernet - PROFINET | |
| Transmission standard | 10Base-T; 100Base-TX |
| Transmission rate | 10; 100 |
| Protocol | PROFINET |
| Factory settings | IP address: 0.0.0.0 |
| | subnet mask: 0.0.0.0 |
| | gateway IP address: 0.0.0.0 |
| | MAC address: see type label |
| IO-Link Master | |
| Transmission type | COM 1 / COM 2 / COM 3 |
| IO-Link revision | 1.1 |
| Number of ports class A | 4 |
| Operating conditions | |
| Ambient temperature [°C] | -25...60 |
| Storage temperature [°C] | -25...85 |
| Max. relative air humidity [%] | 90 |
| Protection | IP 65; IP 66; IP 67; IP 69K; (operation with stainless steel protective caps: IP 69K) |
| Degree of soiling | 2 |

AL1301



IO-Link master with PROFINET interface

IO-Link Master DL PN 4P IP69K

| Tests / approvals | | |
|----------------------|---------------------------|----|
| EMC | EN 61000-6-2 | |
| | EN 61000-6-4 | |
| Shock resistance | DIN EN 60068-2-27 | |
| Vibration resistance | DIN EN 60068-2-64 2009-04 | |
| | DIN EN 60068-2-6 2008-10 | |
| MTTF [years] | | 90 |

| Mechanical data | | |
|-----------------|---|-----|
| Weight [g] | | 314 |
| Materials | housing: PA grey; socket: stainless steel (1.4404 / 316L) | |

| Accessories | | |
|------------------------|--|--|
| Accessories (supplied) | Protective cap: 1 x M12, stainless steel, E12542 | |

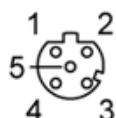
| Remarks | | |
|---------------|--|--|
| Remarks | For further information please see the operating instructions. | |
| Pack quantity | 1 pcs. | |

Electrical connection - Ethernet

| PROFINET X21, X22 | | |
|-------------------|----------|--|
| 1 | TX + | |
| 2 | RX + | |
| 3 | TX - | |
| 4 | RX - | |
| 5 | not used | |

| IoT X23 | | |
|---------|----------|--|
| 1 | TX + | |
| 2 | RX + | |
| 3 | TX - | |
| 4 | RX - | |
| 5 | not used | |

Connector: M12





IO-Link master with PROFINET interface

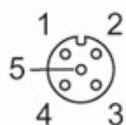
IO-Link Master DL PN 4P IP69K

Electrical connection - Process connection

IO-Link Port Class A X01...X04

| | |
|---|--------------------------|
| 1 | Sensorversorgung (US) L+ |
| 2 | digital input |
| 3 | Sensorversorgung (US) L- |
| 4 | C/Q IO-Link |
| 5 | not used |

Connector: M12



Electrical connection - voltage supply

X31

| | |
|---|----------------|
| 1 | + 24 V DC (US) |
| 2 | not used |
| 3 | GND (US) |
| 4 | not used |

Connector: M12

