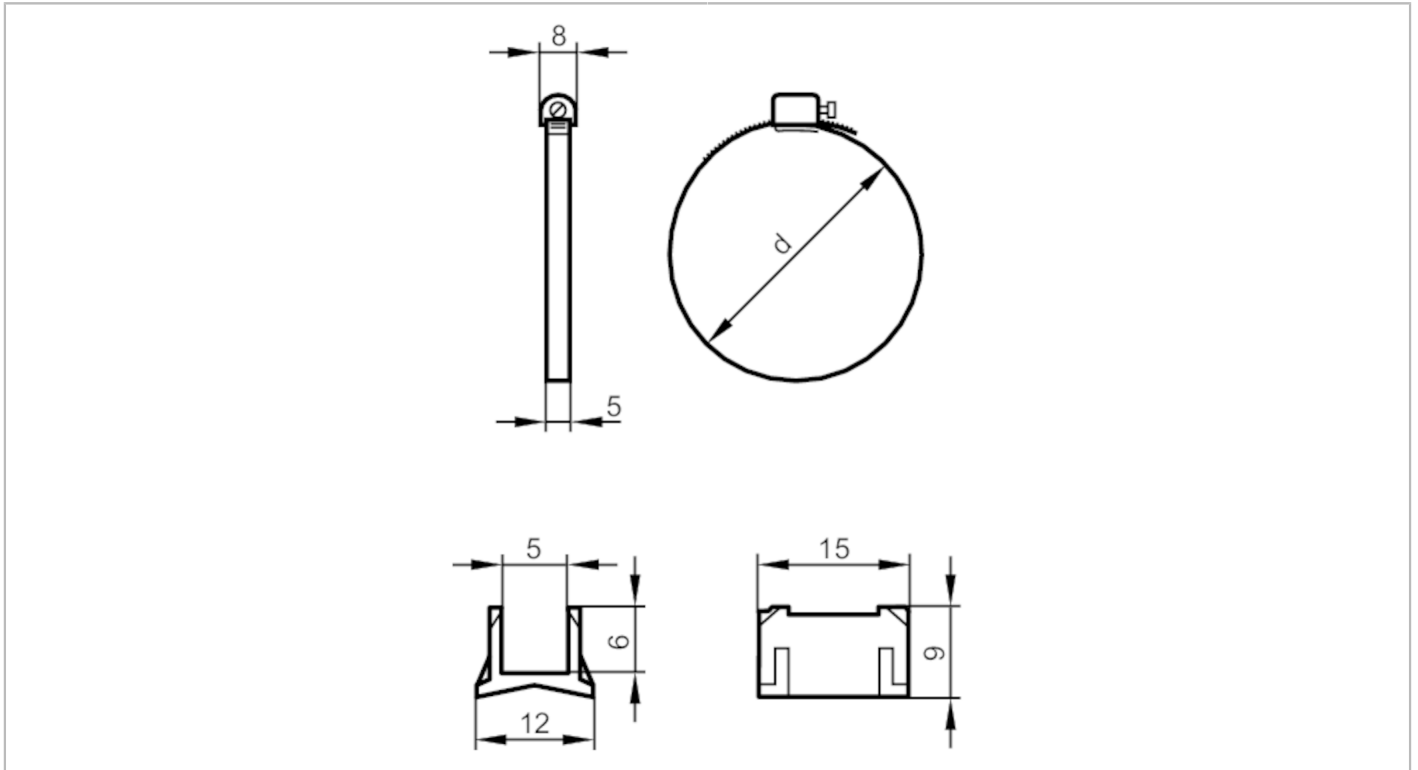


E11820



Fixing strap for clean-line cylinders

FIXING STRAP CLEAN-LINE CYL



Mechanical data

Weight	[g]	7.8
Dimensions	[mm]	Ø 50
Materials		Adapter: PA; fixing strap: stainless steel (1.4305 / 303)
Piston diameter	[mm]	50
Clamping range	[mm]	48...59

Accessories

Accessories (supplied)	Adapter., for types, MKT
------------------------	--------------------------

Remarks

Pack quantity	1 pcs.
---------------	--------