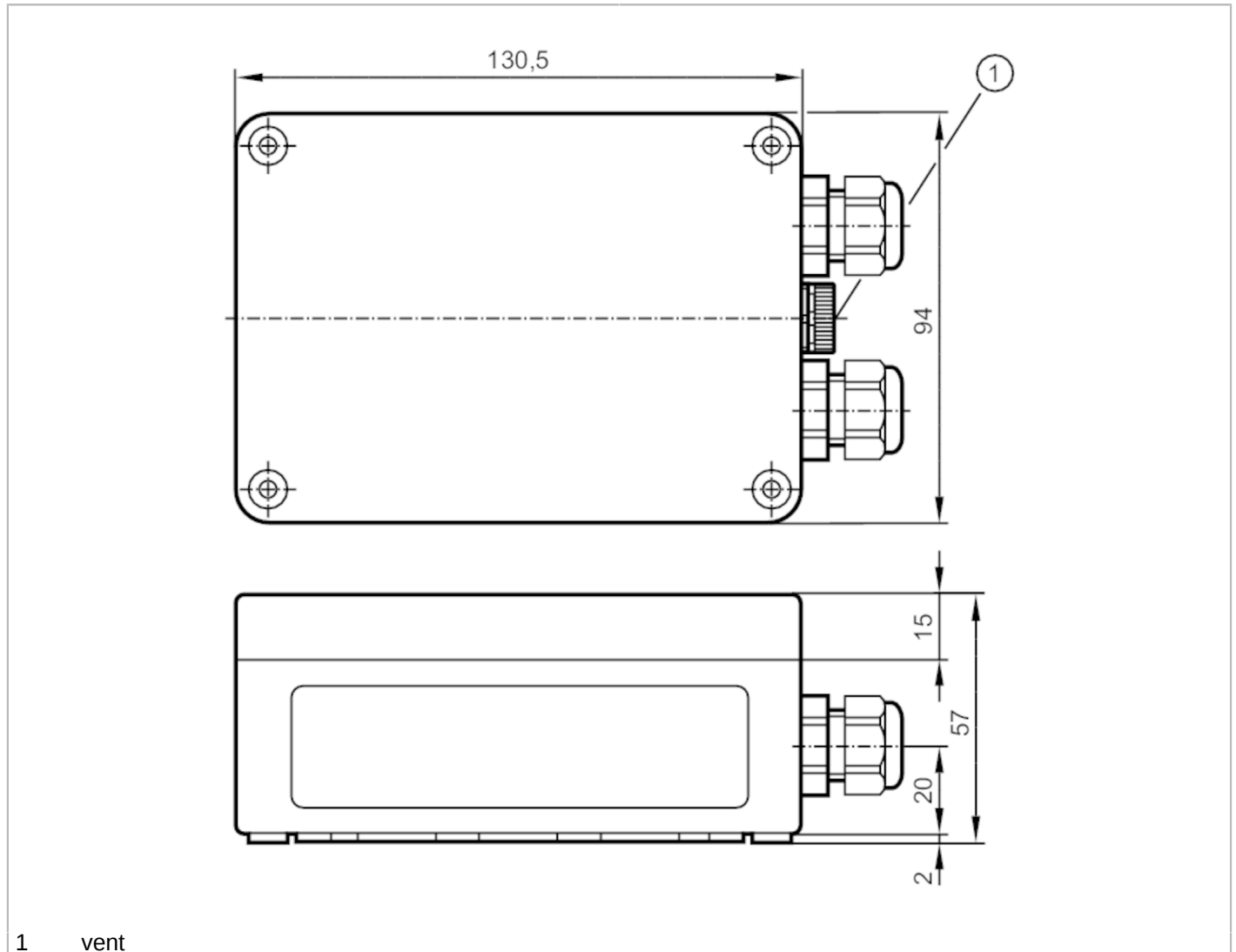


E30401



Splitter box

JUNCTION BOX WITH VENTILATION



Application	
Design	for submersible pressure transmitter PS3
Operating conditions	
Protection	IP 67
Mechanical data	
Weight [g]	276
Materials	plastics
Remarks	
Pack quantity	1 pcs.